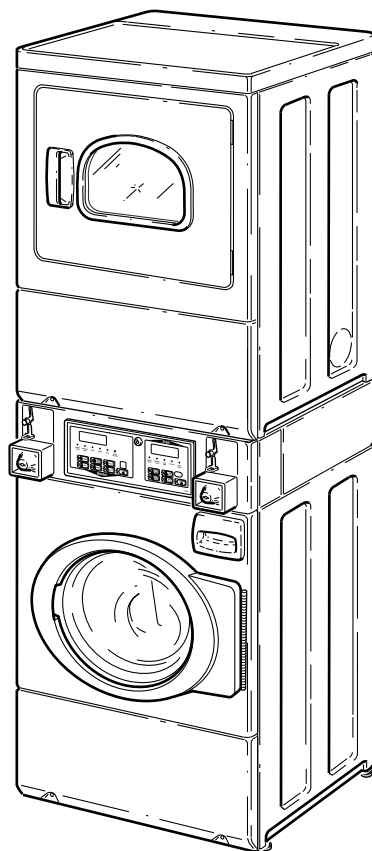


Commercial Stacked Washer/ Dryers

Refer to Page 5 for Model Numbers



SWD447C_802747

Table of Contents

Title	Page
Parts Ordering Information.....	3
Nameplate Location	3
Model Identification	5
Control Panel and Controls (Drawing 1 of 2)	6
Control Panel and Controls (Drawing 2 of 2)	8
Control Cabinet Controls (Drawing 1 of 2)	10
Control Cabinet Controls (Drawing 2 of 2)	12
Electrical Access Panel, Filters and Terminal Block	14
Cabinet Wrapper and Coin Drop.....	16
Electronic Coin Drop	18
Cabinet Wrapper and Card Reader	20
Control Cabinet and Controls.....	22
Electrical Access Panel, Filters and Terminal Block	24
Washer Front Panel and Door Assembly.....	26
Dispenser Assembly and Door Seal	28
Mixing Valve, Valve-to-Dispenser Inlet Hose and Fill Hose	30
Tub Front and Clamp Ring.....	32
Heating Element	34
Outer Tub.....	36
Inner Basket, Trunnion, Bearing Housing and Pulley	38
Washer Motor and Belt	40
Drain Hoses and Valve	42
Hoses and Pump	44
Washer Base, Side Panels and Rear Panel	46
Junction Box and Power Cord	48
Wire Ties, Harness Clips and Washer Lead-In Cord	50
Dryer Loading Door with Window (Drawing 1 of 3).....	52
Dryer Loading Door with Window (Drawing 2 of 3).....	54
Dryer Loading Door with Window (Drawing 3 of 3).....	56
Dryer Access Panel, Front Panel and Seal.....	58
Dryer Motor, Blower Fan and Belt.....	60
Blower and Fan Kit.....	62
Thermistor and Thermostat.....	64
Front Bulkhead, Air Duct, Felt Seal and Cylinder	66
Rear Bulkhead, Felt Seal, Cylinder Roller and Terminal Block.....	68
Heater Duct and Element Assembly (Drawing 1 of 2).....	70
Heater Duct and Element Assembly (Drawing 2 of 2).....	72
Heater Duct Assembly	74
Gas Valve, Igniter and Gas Conversion Kits.....	76
Burner Orifice Spuds - For Higher Elevations.....	78
Dryer Cabinet, Exhaust Duct and Base	80
Dryer Power Cord	82

© Copyright 2013, Alliance Laundry Systems LLC

All rights reserved. No part of the contents of this book may be reproduced or transmitted in any form or by any means without the expressed written consent of the publisher.

Dryer Motor Connection Block, Terminal Extractor Tools	84
Terminals	86
Shipping Materials	88
Labels	90
Special Tools	92
Dryer Wire Harnesses and Wires.....	94
Dryer Wire Harnesses and Wires - Models Through Serial Nos. Beginning 0904.....	96
Dryer Wire Harnesses and Wires - Models Starting Serial Nos. Beginning 0904.....	98
Dryer Wire Harnesses and Wires - Models Starting Serial Nos. Beginning 0904 and Continuing Through Serial Nos. Beginning 1303	100
Dryer Wire Harnesses and Wires - Models Starting Serial Nos. Beginning 1303.....	102
Washer Wire Harnesses and Wires (Drawing 1 of 2)	104
Washer Wire Harnesses and Wires (Drawing 2 of 2)	106
Parts Index.....	109

Parts Ordering Information

If literature or replacement parts are required, contact the source from whom the machine was purchased or contact Alliance Laundry Systems at (920) 748-3950 for the name and address of the nearest authorized parts distributor.

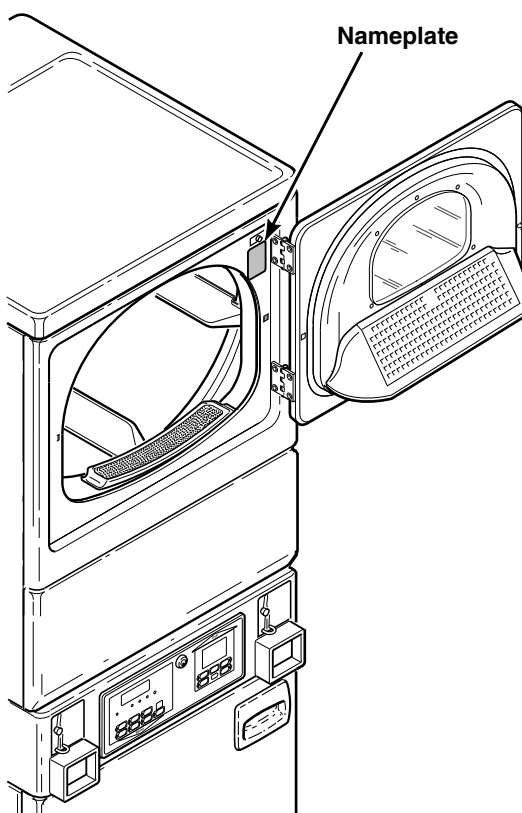
For technical assistance, call either of the numbers listed below:

(920) 748-3121 Ripon, Wisconsin

+32 56 41 20 54 Wevelgem, Belgium

Nameplate Location

When calling or writing about your product, be sure to mention model and serial numbers. Model and serial numbers are located on nameplate(s) as shown.



SWD1165P_802747

Model Identification

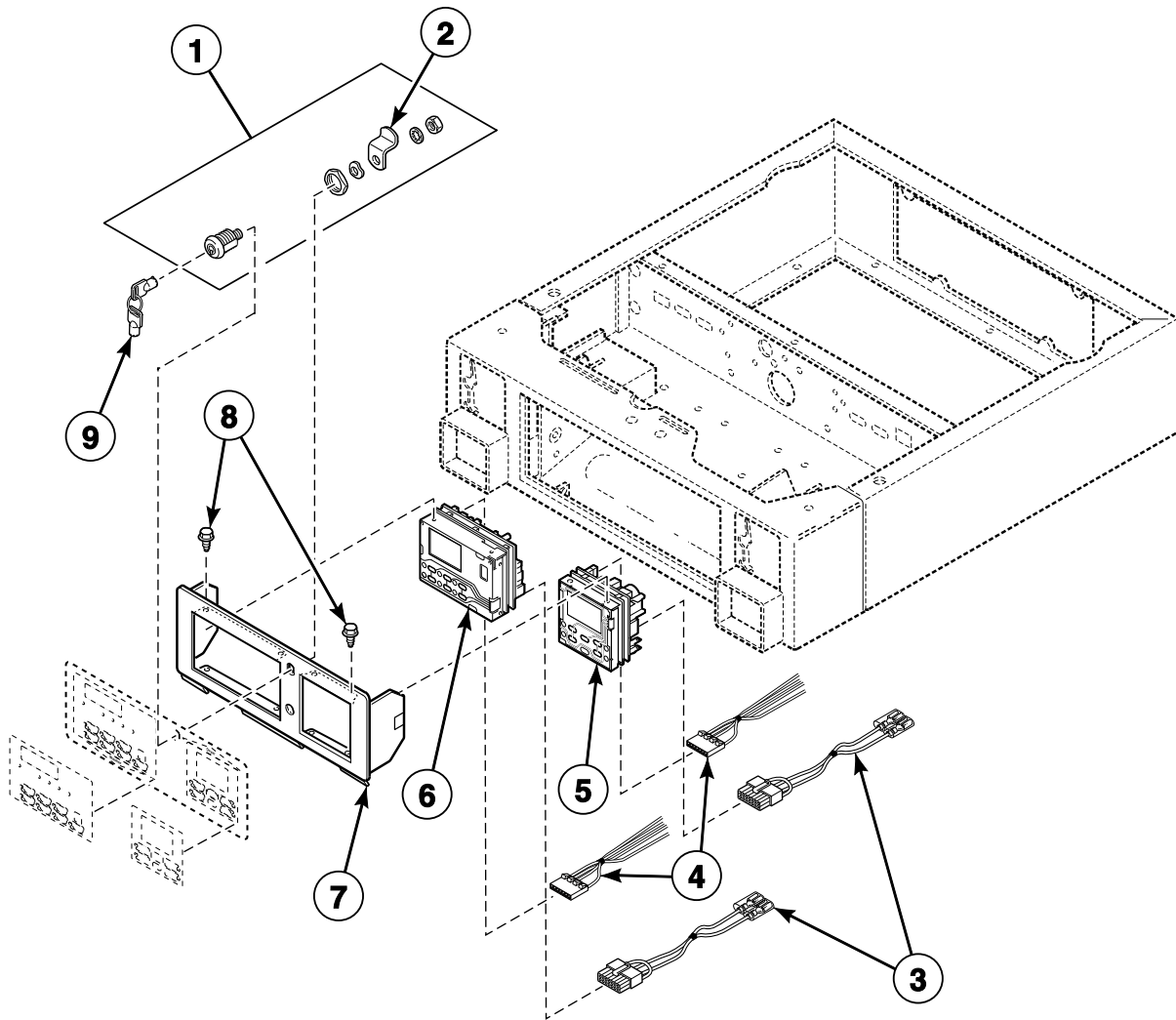
Information in this manual is applicable to these washer/dryer models:

BTEBCFSP171TW01	HTEB77*N2802	NTEBXFSP302NW01	STEX77*N2827
BTEBCFSP172TW01	HTEBCFSP172TW01	NTEBXFSP302NW22	STEX77*N3000
BTEBEFSP171TW01	HTEBDFSP282CW01	NTEL77*N4064	STEX77*N4064
BTEBEFSP281CW01	HTEBXFSP132DW01	NTEX77*N3000	STEX77*N4350
BTEBEFSP282CW01	HTEBXFSP172FW28	NTEX77*N4064	STEX77*N4351
BTEBLFSP431AW01	HTEBXFSP282CW01	NTEX77*N4067	STEX77*N5400
BTEBLFSP432AW01	HTEBXFSP292CW01	NTEX77*N5400	STEX77*N5754
BTEBXFSP172FW01	HTEBXFSP542DW01	NTGBXFSP302NW01	STEY77*N
BTEBXFSP432AW01	HTEBYFSP282CW01	NTGL79*N4067	STEY77*N4064
BTEBYFSP172TW01	HTET77*N	NTGX79*N3000	STEY77*N5754
BTEL75*N4065	HTET77*N2802	NTGX79*N4067	STGA73*N
BTEL77*N4065	HTEX77*N2802	STEA77*N	STGA79*N
BTEX75*N4065	HTEX77*N2902	STEA77*N3069	STGB79*N
BTEX77*N1727	HTEY77*N	STEB77*N	STGBCFSP112TW01
BTEX77*N4065	HTEY77*N2802	STEBCFSP172TQ01	STGBXFSG112TW01
BTEX77*N4350	HTGB79*N0902	STEBCFSP172TW01	STGBXFSP112TW01
BTGBCFSP111TW01	HTGBCFSP112TW01	STEBXFSP132DW01	STGBXFSP122DW01
BTGBCFSP112TW01	HTGBDFSP092CW01	STEBXFSP172TQ01	STGBXFSP301NW22
BTGBEFSP091CW01	HTGBXFSP112FW28	STEBXFSP172TW01	STGBXFSP302AW01
BTGBEFSP111TW01	HTGBXFSP122DW01	STEBXFSP301NW22	STGBXFSP302NW01
BTGBLFSP301AW01	HTGBXFSP542DW01	STEBXFSP302NW01	STGBXFSP302NW22
BTGBLFSP302AW01	HTGBYFSP092CW01	STEBXFSP302NW22	STGBXFSP542DW01
BTGBXFSP112FW01	HTGBYFSP112TW01	STEBXFSP432AW01	STGBYFSP112TW01
BTGBXFSP302AW01	HTGT79*N	STEBXFSP542DW01	STGF79*N
BTGBYFSP112TW01	HTGT79*N0902	STEBXFSP542NW01	STGT79*N
BTGX79*N1127	HTGX79*N0902	STEBYFSP172TW01	STGX73*N
BTGX79*N3060	HTGY79*N	STEF77*N	STGX79*N
	HTGY79*N0902	STEF77*N4350	STGX79*N3000
		STET77*N	STGX79*N3060
		STEX77*N	STGX79*N3061
			STGY79*N

* Add Letter To Designate Color. Q - Bisque W - White

Control Panel and Controls (Drawing 1 of 2)

All Models Except BTEBLFSP431AW01, BTEBLFSP432AW01, BTEL75*N4065, BTEL77*N4065, BTGBLFSP301AW01, BTGBLFSP302AW01, NTEL77*N4064 and NTGL79*N4067



SWD1272P_802747

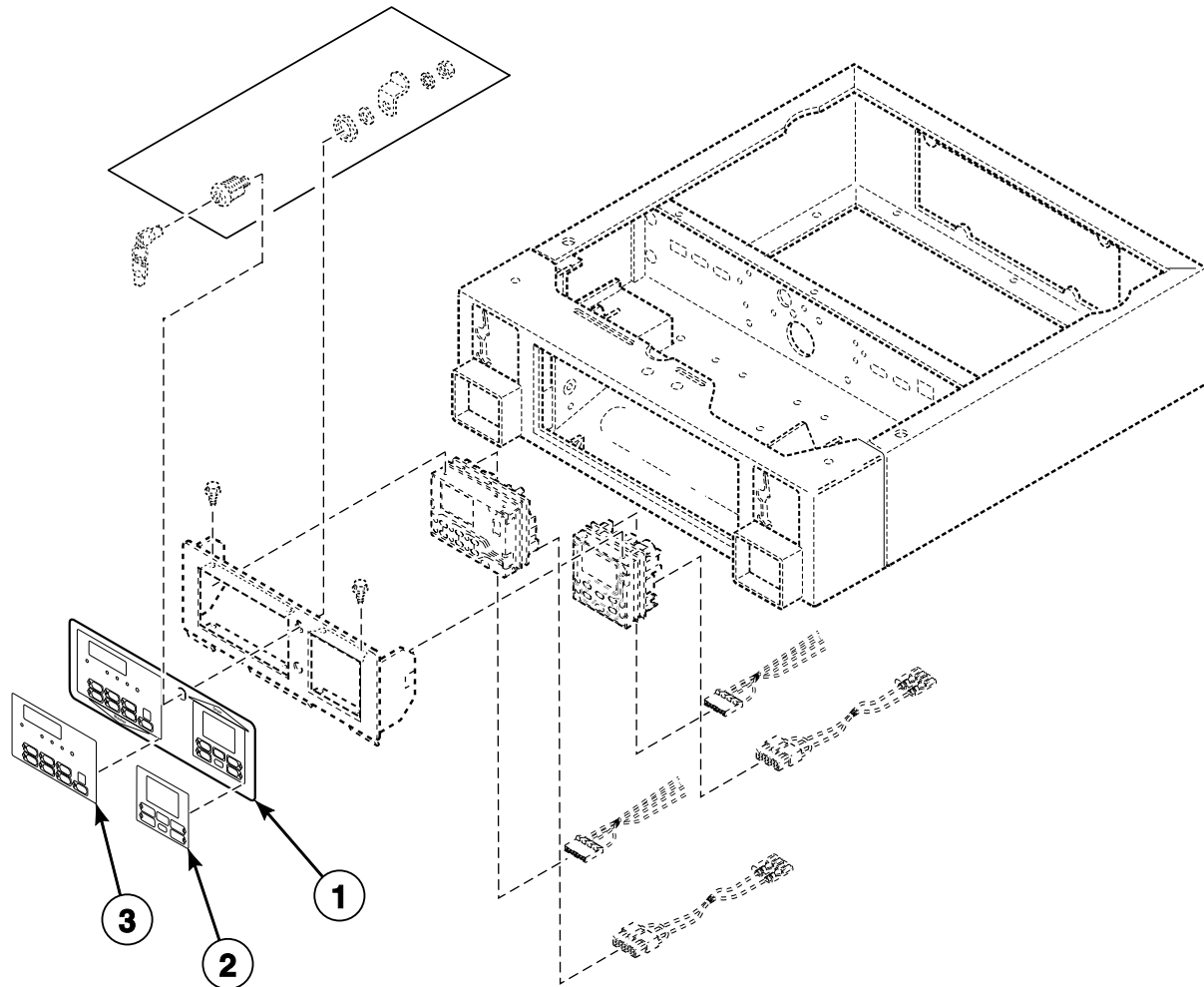
Control Panel and Controls (Drawing 1 of 2)

REF	PART NO.	DESCRIPTION	COMMENTS
1	27260P	Lock Kit	
2	27261	Lock Cam	
3	800374	Diagnostic Wire Harness Assembly	Models BTEBYFSP172TW01, BTGBYFSP112TW01, HTEBYFSP282CW01, HTEY77*N, HTEY77*N2802, HTGBYFSP092CW01, HTGBYFSP112TW01, HTGY79*N, HTGY79*N0902, STEBYFSP172TW01, STEF77*N, STEF77*N4350, STEY77*N, STEY77*N4064, STEY77*N5754, STGBYFSP112TW01, STGF79*N and STGY79*N
4	511478	Central Pay Harness	All models except HTEB77*N2802, HTGB79*N0902, STEA77*N, STEA77*N3069, STEB77*N, STEF77*N, STEF77*N4350, STGA73*N, STGA79*N, STGB79*N and STGF79*N
5	505905P	Control Kit	Models HTEB77*N2802, HTGB79*N0902, STEA77*N, STEA77*N3069, STEB77*N, STEF77*N, STEF77*N4350, STGA73*N, STGA79*N, STGB79*N and STGF79*N
	511867P	Control Assembly	All other models
6	800772P	Control Kit	Models HTEB77*N2802, HTGB79*N0902, STEA77*N, STEA77*N3069, STEB77*N, STEF77*N, STEF77*N4350, STGA79*N, STGB79*N and STGF79*N
	802400P	Control Assembly	Models BTEX75*N4065, BTEX77*N4065, NTEX77*N4064, NTEX77*N4067, NTGX79*N4067, STEX77*N4064, STEX77*N5754, STEY77*N4064 and STEY77*N5754
	802076P	Control Kit	Model STGA73*N
	803146P	Control Assembly	All other models
7	800034W	Control Panel and Bracket Assembly	
8	501524	Screw	
9	54612	Key	GR800

* Add Letter To Designate Color. Q - Bisque W - White

Control Panel and Controls (Drawing 2 of 2)

All Models Except BTEBLFSP431AW01, BTEBLFSP432AW01, BTEL75*N4065, BTEL77*N4065, BTGBLFSP301AW01, BTGBLFSP302AW01, NTEL77*N4064 and NTGL79*N4067



SWD1272PA_802747

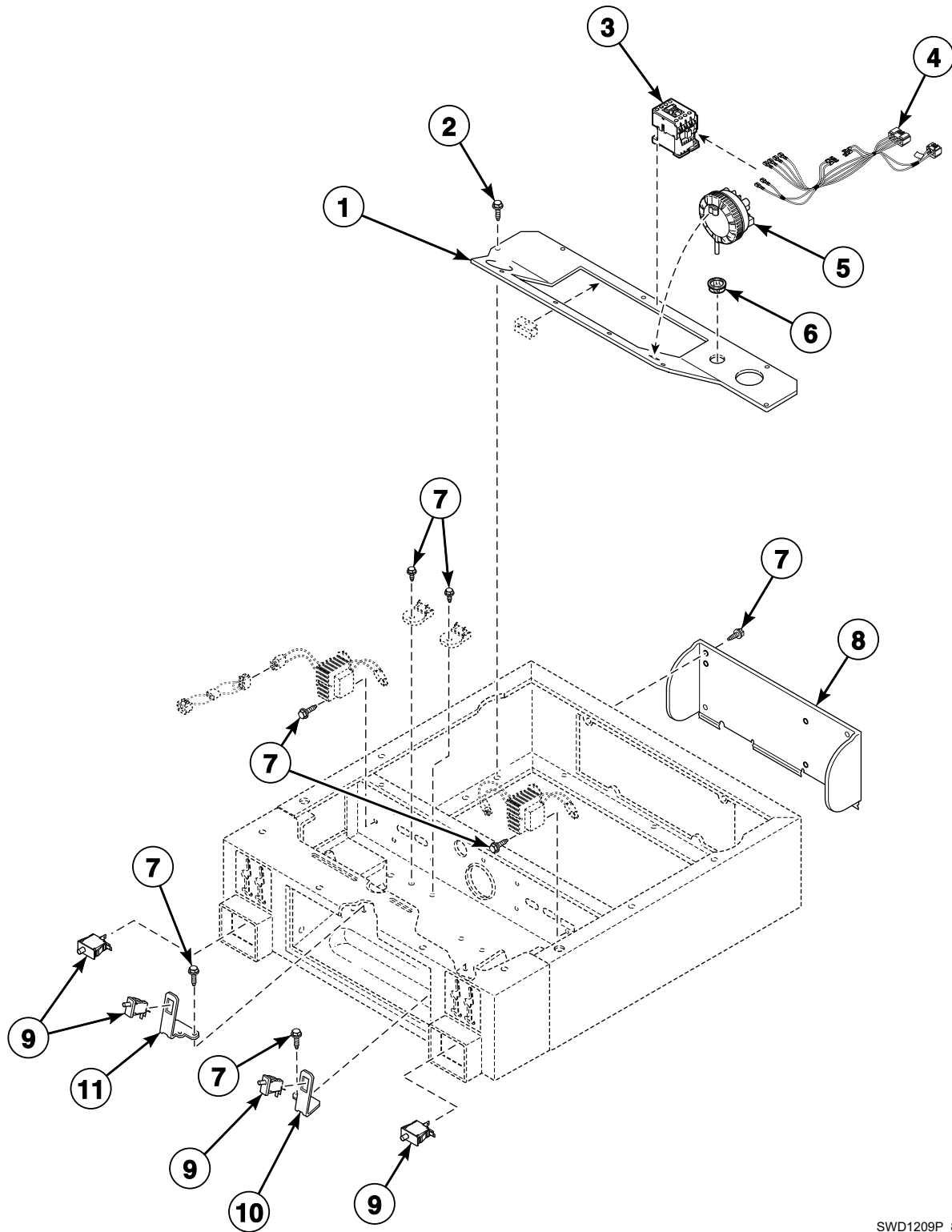
Control Panel and Controls (Drawing 2 of 2)

REF	PART NO.	DESCRIPTION	COMMENTS
1	800026	Overlay	Models STEA77*N, STEA77*N3069, STEB77*N, STGA73*N, STGA79*N and STGB79*N
	800027	Overlay	Models STEF77*N, STEF77*N4350 and STGF79*N
	801054	Overlay	Models HTEBCFSP172TW01, HTEBDFSP282CW01, HTEBXFSP132DW01, HTEBXFSP172FW28, HTEBXFSP282CW01, HTEBXFSP292CW01, HTEBXFSP542DW01, HTEBYFSP282CW01, HTET77*N, HTET77*N2802, HTEX77*N2802, HTEX77*N2902, HTEY77*N, HTEY77*N2802, HTGBCFSP112TW01, HTGBDFSP092CW01, HTGBXFSP112FW28, HTGBXFSP122DW01, HTGBXFSP542DW01, HTGBYFSP092CW01, HTGBYFSP112TW01, HTGT79*N, HTGT79*N0902, HTGX79*N0902, HTGY79*N and HTGY79*N0902
	801051	Overlay	Models STEBCFSP172TQ01, STEBCFSP172TW01, STEBXFSP132DW01, STEBXFSP172TQ01, STEBXFSP172TW01, STEBXFSP302NW01, STEBXFSP432AW01, STEBXFSP542DW01, STEBXFSP542NW01, STEBYFSP172TW01, STET77*N, STEX77*N, STEX77*N2827, STEX77*N3000, STEX77*N4350, STEX77*N4351, STEX77*N5400, STEY77*N, STGBCFSP112TW01, STGBXFSP112TW01, STGBXFSP122DW01, STGBXFSP302AW01, STGBXFSP302NW01, STGBXFSP542DW01, STGBYFSP112TW01, STGT79*N, STGX73*N, STGX79*N, STGX79*N3000, STGX79*N3060, STGX79*N3061 and STGY79*N
	800894	Overlay	Models HTEB77*N2802 and HTGB79*N0902
	801415	Overlay	Models STEX77*N4064, STEX77*N5754, STEY77*N4064 and STEY77*N5754
	802078	Overlay	Models NTEX77*N4064, NTEX77*N4067 and NTGX79*N4067
	801874	Front Overlay	Models BTEX75*N4065 and BTEX77*N4065
	803157	Overlay	Models NTEBXFSP302NW01, NTEBXFSP302NW22, NTEX77*N3000, NTEX77*N5400, NTGBXFSP302NW01 and NTGX79*N3000
	803435	Overlay	Models BTEBCFSP171TW01, BTEBCFSP172TW01, BTEBEFSP171TW01, BTEBEFSP281CW01, BTEBEFSP282CW01, BTEBXFSP172FW01, BTEBXFSP432AW01, BTEX77*N1727, BTEX77*N4350, BTGBCFSP111TW01, BTGBCFSP112TW01, BTGBEFSP091CW01, BTGBEFSP111TW01, BTGBXFSP112FW01, BTGBXFSP302AW01, BTGX79*N1127 and BTGX79*N3060
2	513546	Overlay	French/English; Models HTEBDFSP282CW01, HTEBXFSP282CW01, HTEBXFSP292CW01, HTEBYFSP282CW01, HTET77*N2802, HTEX77*N2802, HTEX77*N2902, HTEY77*N2802, HTGBDFSP092CW01, HTGBYFSP092CW01, HTGT79*N0902, HTGX79*N0902 and HTGY79*N0902
3	803597	Overlay	French/English; Models HTEBDFSP282CW01, HTEBXFSP282CW01, HTEBXFSP292CW01, HTEBYFSP282CW01, HTET77*N2802, HTEX77*N2802, HTEX77*N2902, HTEY77*N2802, HTGBDFSP092CW01, HTGBYFSP092CW01, HTGT79*N0902, HTGX79*N0902 and HTGY79*N0902

* Add Letter To Designate Color. Q - Bisque W - White

Control Cabinet Controls (Drawing 1 of 2)

All Models Except BTEBLFSP431AW01, BTEBLFSP432AW01, BTEL75*N4065, BTEL77*N4065, BTGBLFSP301AW01, BTGBLFSP302AW01, NTEL77*N4064 and NTGL79*N4067



SWD1209P_802747

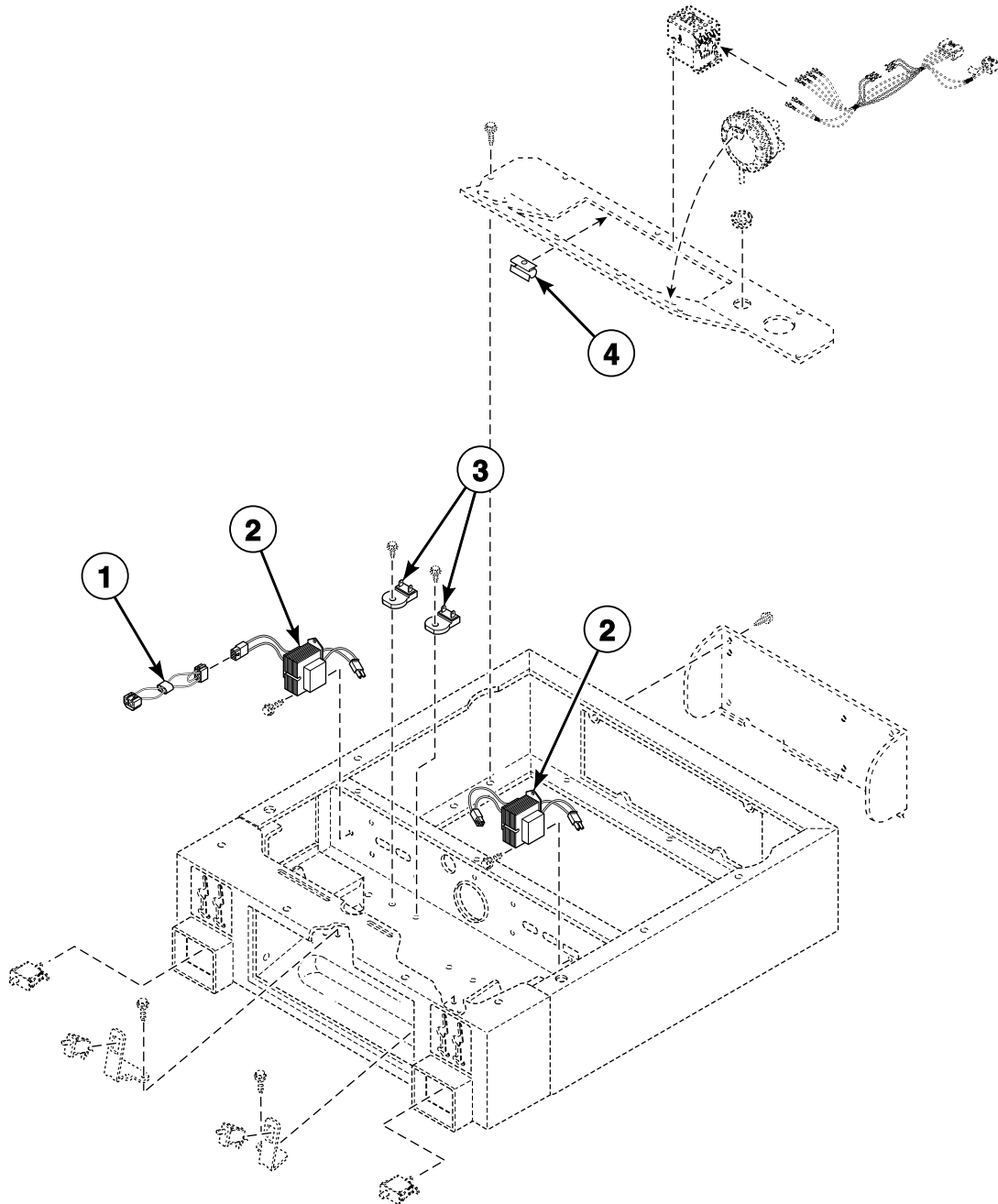
Control Cabinet Controls (Drawing 1 of 2)

REF	PART NO.	DESCRIPTION	COMMENTS
1	801371	Control Shield	
2	503661	Screw	
3	F330177P	Contactator	Models BTEX75*N4065, BTEX77*N4065, NTEX77*N4064, NTEX77*N4067, NTGX79*N4067, STEX77*N4064, STEX77*N5754, STEY77*N4064 and STEY77*N5754
4	801120P	Contactator Wire Harness Assembly	Models BTEX75*N4065, BTEX77*N4065, NTEX77*N4064, NTEX77*N4067, NTGX79*N4067, STEX77*N4064, STEX77*N5754, STEY77*N4064 and STEY77*N5754
5	802299P	Pressure Switch	
6	M402542	Snap Bushing	
7	503688	Screw	
8	800177	Security Cabinet Rear Service Panel	All models except BTEX75*N4065, BTEX77*N4065, NTEX77*N4064, NTEX77*N4067, NTGX79*N4067, STEX77*N4064, STEX77*N5754, STEY77*N4064 and STEY77*N5754
9	512973	Switch	All models except BTEBYFSP172TW01 and BTGBYFSP112TW01
10	800380	Audit Switch Bracket	Right
11	800379	Audit Switch Bracket	Left

* Add Letter To Designate Color. Q - Bisque W - White

Control Cabinet Controls (Drawing 2 of 2)

All Models Except BTEBLFSP431AW01, BTEBLFSP432AW01, BTEL75*N4065, BTEL77*N4065, BTGBLFSP301AW01, BTGBLFSP302AW01, NTEL77*N4064 and NTGL79*N4067



SWD1209PA_802747

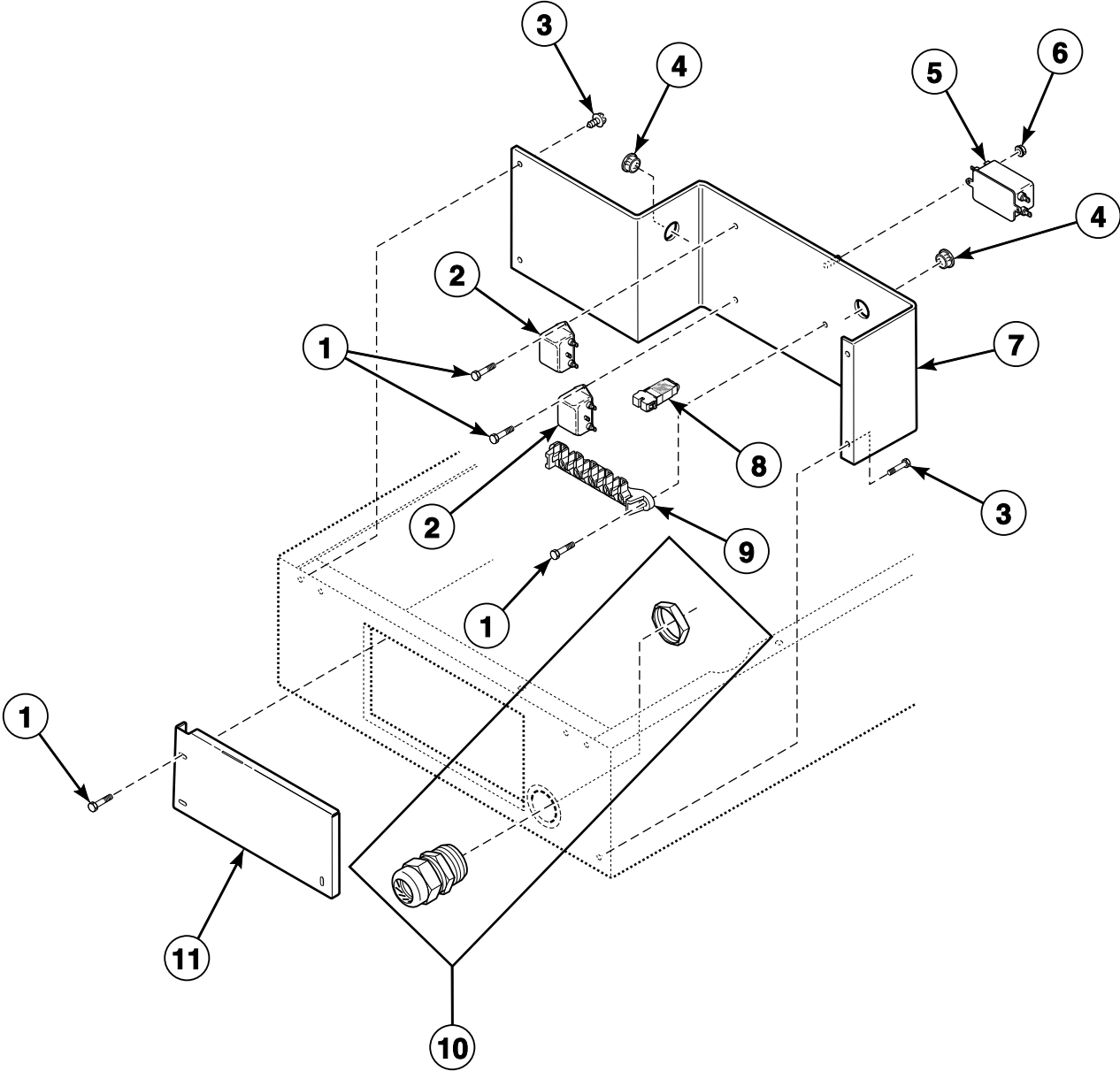
Control Cabinet Controls (Drawing 2 of 2)

REF	PART NO.	DESCRIPTION	COMMENTS
1	M413507	Jumper Configuration Assembly	Models BTEBXFSP432AW01, BTEX75*N4065, BTEX77*N4065, BTEX77*N4350, BTGBXFSP302AW01, BTGX79*N3060, HTEBXFSP132DW01, HTEBXFSP542DW01, HTGBXFSP542DW01, NTEBXFSP302NW22, NTEX77*N4064, NTEX77*N4067, NTEX77*N5400, NTGX79*N4067, STEA77*N3069, STEBXFSP132DW01, STEBXFSP301NW22, STEBXFSP302NW01, STEBXFSP302NW22, STEBXFSP432AW01, STEBXFSP542DW01, STEBXFSP542NW01, STEF77*N4350, STEX77*N3000, STEX77*N4064, STEX77*N4350, STEX77*N4351, STEX77*N5400, STEX77*N5754, STEY77*N4064, STEY77*N5754, STGBXFSP301NW22, STGBXFSP302AW01, STGBXFSP302NW01, STGBXFSP302NW22, STGBXFSP542DW01, STGX79*N3000, STGX79*N3060 and STGX79*N3061
	M413505	Jumper Harness Assembly	Models STEA77*N, STEBXFSP172TQ01, STEBXFSP172TW01, STEX77*N, STEX77*N2827 and STGA79*N
2	210018P	Transformer	Models BTEBCFSP171TW01, BTEBCFSP172TW01, BTGBCFSP111TW01, BTGBCFSP112TW01, HTEB77*N2802, HTEBCFSP172TW01, HTEBDFSP282CW01, HTET77*N, HTET77*N2802, HTGB79*N0902, HTGBCFSP112TW01, HTGBDFSP092CW01, HTGT79*N, HTGT79*N0902, STEB77*N, STEBCFSP172TQ01, STEBCFSP172TW01, STEF77*N, STET77*N, STGB79*N, STGBCFSP112TW01, STGF79*N and STGT79*N
	201375P	Transformer	Models BTEBEFSP171TW01, BTEBEFSP281CW01, BTEBEFSP282CW01, BTEBXFSP172FW01, BTEBYFSP172TW01, BTEX77*N1727, BTGBEFSP091CW01, BTGBEFSP111TW01, BTGBXFSP112FW01, BTGBYFSP112TW01, BTGX79*N1127, HTEBXFSP172FW28, HTEBXFSP282CW01, HTEBXFSP292CW01, HTEBYFSP282CW01, HTEX77*N2802, HTEX77*N2902, HTEY77*N, HTEY77*N2802, HTGBXFSP112FW28, HTGBXFSP122DW01, HTGBYFSP092CW01, HTGBYFSP112TW01, HTGX79*N0902, HTGY79*N, HTGY79*N0902, STEBXFSP132DW01, STEBYFSP172TW01, STEY77*N, STGBXFSP112TW01, STGBXFSP122DW01, STGBYFSP112TW01, STGX79*N and STGY79*N
	803527P	Transformer	All other models
3	210100	Resistor	
4	36985	Hose Clip	

* Add Letter To Designate Color. Q - Bisque W - White

Electrical Access Panel, Filters and Terminal Block

Models BTEX75*N4065, BTEX77*N4065, NTEX77*N4064, NTEX77*N4067, NTGX79*N4067, STEX77*N4064, STEX77*N5754, STEY77*N4064 and STEY77*N5754



FLW861P_802747

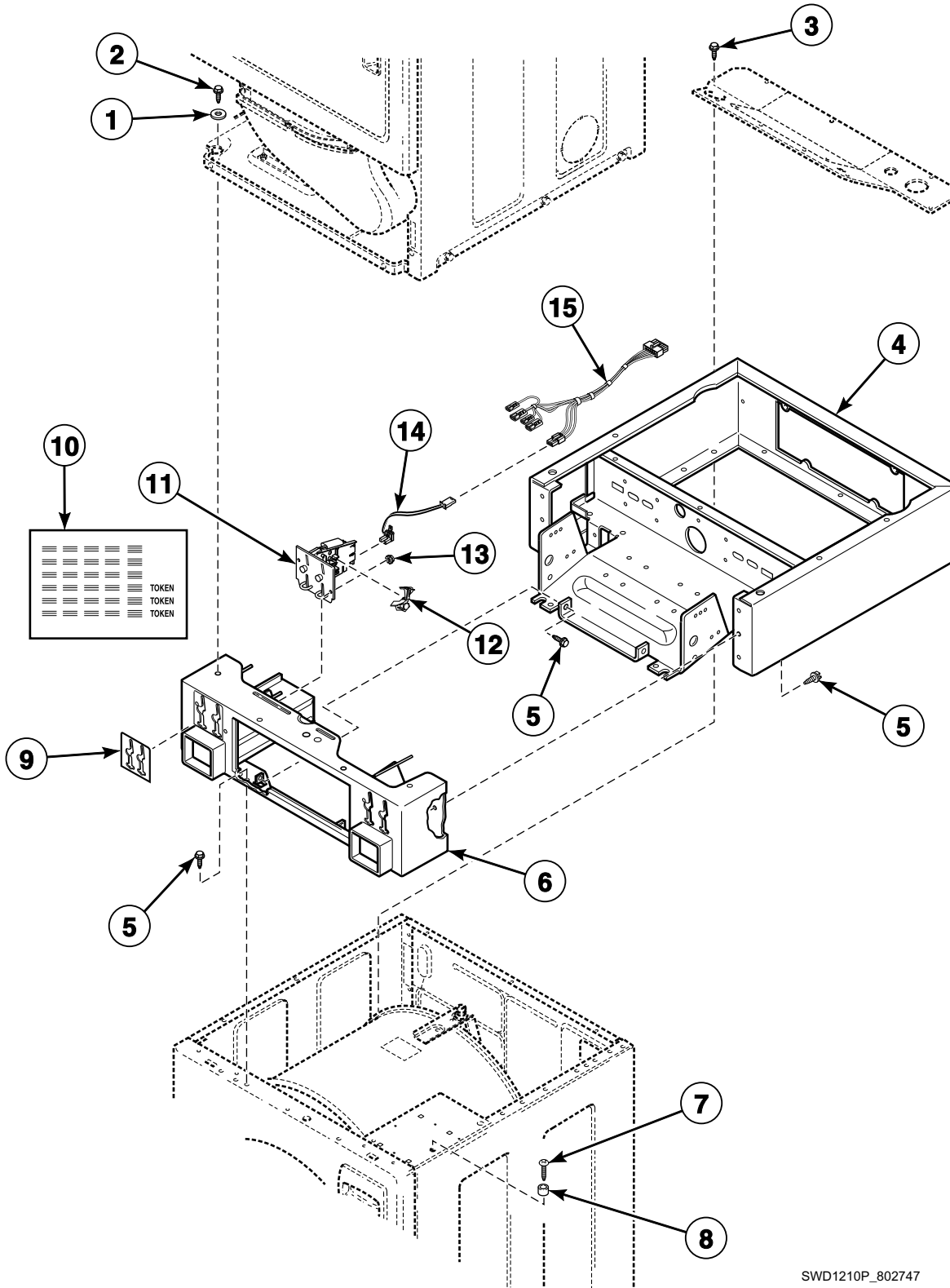
Electrical Access Panel, Filters and Terminal Block

REF	PART NO.	DESCRIPTION	COMMENTS
1	503661	Screw	
2	801255P	Filter	
3	503688	Screw	
4	M402542	Snap Bushing	
5	201058	Line Filter	
6	29787	Nut	
7	801250	Terminal Block Assembly	
8	801311	Network Varistor Assembly	
9	505876	Terminal Block Assembly	
10	801792P	Fitting	
11	801134	Electric Access Panel	

* Add Letter To Designate Color. Q - Bisque W - White

Cabinet Wrapper and Coin Drop

Coin Drop Models



SWD1210P_802747

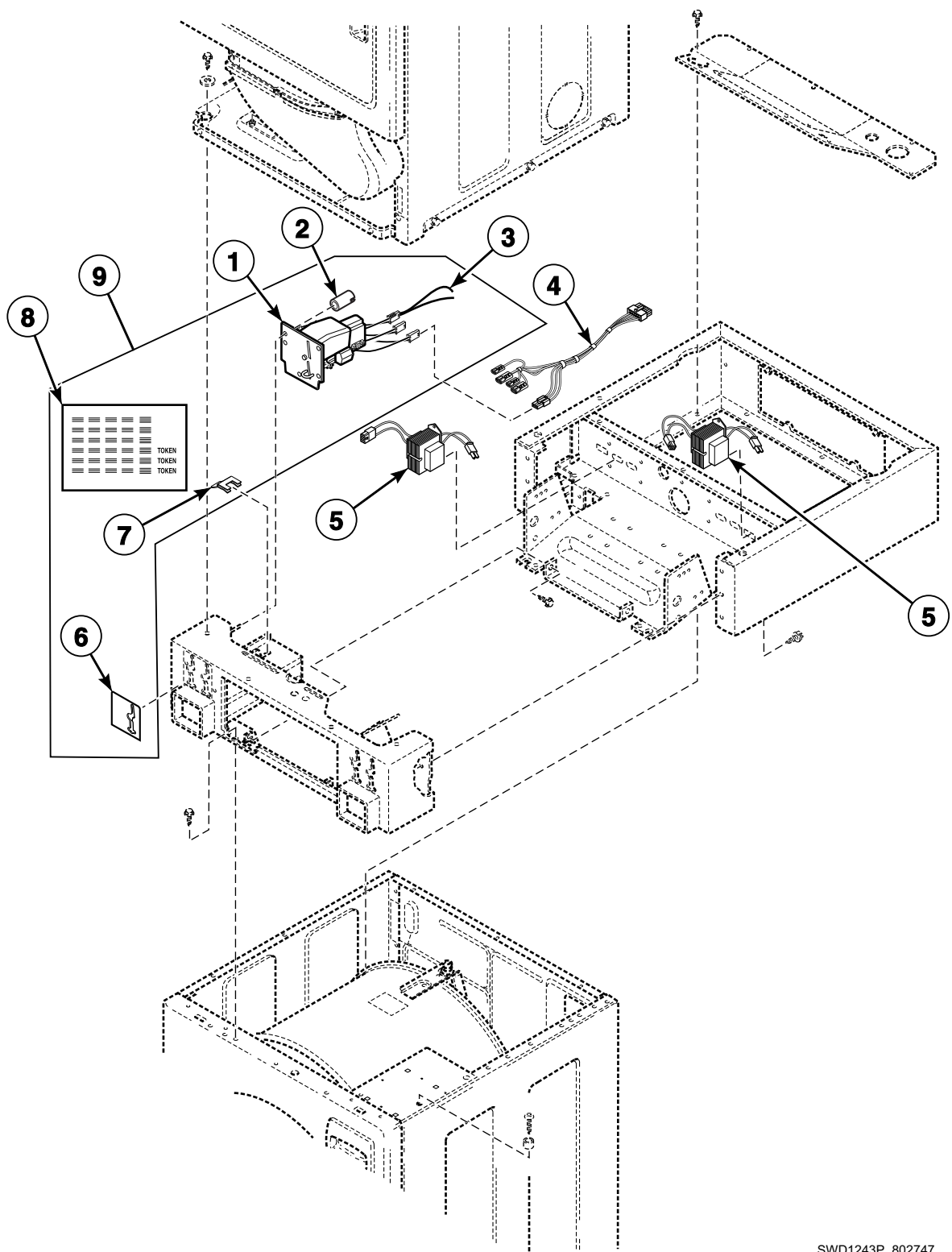
Cabinet Wrapper and Coin Drop

REF	PART NO.	DESCRIPTION	COMMENTS
1	26509	Washer	
2	36048	Screw	
3	503661	Screw	
4	801235W	Security Cabinet Wrapper Assembly	White; Models BTEX75*N4065, BTEX77*N4065, NTEX77*N4064, NTEX77*N4067, NTGX79*N4067, STEX77*N4064 and STEX77*N5754
	801235Q	Security Cabinet Wrapper Assembly	Bisque; Models BTEX75*N4065, BTEX77*N4065, NTEX77*N4064, NTEX77*N4067, NTGX79*N4067, STEX77*N4064 and STEX77*N5754
	800231W	Security Cabinet Wrapper Assembly	White; All other models
	800231Q	Security Cabinet Wrapper Assembly	Bisque; All other models
5	503688	Screw	
6	511632WP	Security Cabinet Front Assembly	White
	511632Q	Security Cabinet Front Assembly	Bisque
7	39733	Screw	
8	56079	Panel Locator	
9	38676	Overlay Kit	Dual drop
	39073	Dual Overlay	Models HTEB77*N2802, HTEBDFSP282CW01, HTET77*N2802, HTGB79*N0902, HTGBDFSP092CW01 and HTGT79*N0902
	38717	Single Overlay	
10	38725	Coin Identification Paper	
11	70441601P	Coin Drop	U.S.A.; \$.25
	70441602	Coin Drop Assembly	Canada; .25 and 1.00
	38464P	Coin Drop Assembly	Canada; .25
	38467	Coin Drop Assembly	Australia; .20 and 1.00
	70447301	Coin Drop Assembly	Australia; 1.00 and 2.00
	38472	Coin Drop Assembly	England; 20 pence and 1 pound
	38519	Coin Drop Assembly	Japan; 100 yen and 500 yen
	38521	Coin Drop Assembly	Korea; 100 won and 500 won
	CK114	Coin Drop Assembly	Singapore; 1.00
	38462P	Coin Drop Assembly	Token; STD-118-1
	38463	Coin Drop Assembly	Token; STD-118-5
	38963P	Coin Drop	Token; STD-118-16
12	201595P	Wire Guard	Anti-stringing device; Add to coin drops manufactured January 2005 and later
13	29786	Nut	
14	200674P	Opto Coupler	
15	802904P	Harness Assembly	Models BTEBCFSP171TW01, BTEBCFSP172TW01, BTGBCFSP111TW01, BTGBCFSP112TW01, HTEBCFSP172TW01, HTET77*N, HTGBCFSP112TW01, HTGT79*N, STEB77*N, STEBCFSP172TQ01, STEBCFSP172TW01, STET77*N, STGB79*N, STGBCFSP112TW01 and STGT79*N
	802905	Harness Assembly	All other models

* Add Letter To Designate Color. Q - Bisque W - White

Electronic Coin Drop

Coin Drop Models



SWD1243P_802747

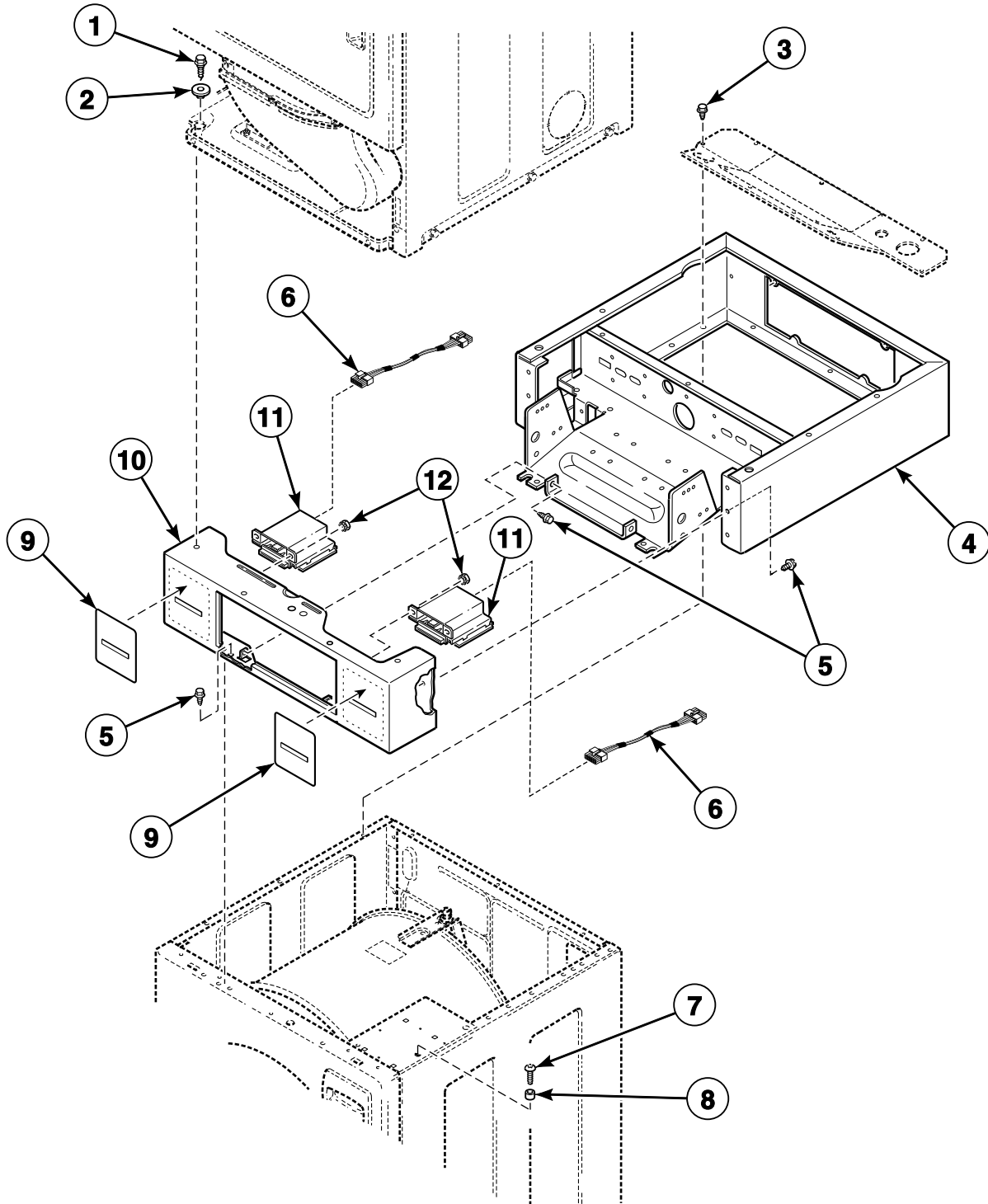
Electronic Coin Drop

REF	PART NO.	DESCRIPTION	COMMENTS
1	70294103P	Electronic Coin Drop Assembly	Euro and Great Britain coins
	70294104	Electronic Coin Drop Assembly	Euro, Denmark and Norway coins
	70294105P	Electronic Coin Drop Assembly	Australia, New Zealand, Hong Kong and South Korea coins
	70482401	Coin Drop Assembly	New Zealand coins
	70294106	Electronic Coin Drop Assembly	Mexico, Ecuador and United States coins
	70294107	Electronic Coin Drop Assembly	Euro, Lithuania and Latvia coins
	70294110	Electronic Coin Drop Assembly	South African 1, 2 and 5 rand coins
	70294111	Electronic Coin Drop Assembly	Euro coins
	70294112	Electronic Coin Drop Assembly	Euro, Great Britain and token coins
	70294116	Electronic Coin Drop Assembly	Malaysia, China and Singapore coins
	70294117	Electronic Coin Drop Assembly	Russia coins
	70294120	Electronic Coin Drop Assembly	Chile coins
	70294121	Electronic Coin Drop Assembly	Singapore coins
2	201216	Nut	
3	201104	Coin Drop Wire Harness	
4	802905	Harness Assembly	Electronic coin drop requires this harness. If unit is not factory-equipped with this harness, it must be ordered separately.
5	201375P	Transformer	Electronic coin drop requires this transformer. If unit is not factory-equipped with this transformer, it must be ordered separately.
6	201091	Overlay	
7	201572	Clip	
8	38725	Coin Identification Paper	
9	CK115	Electronic Coin Drop Kit	Includes items 1-3 and 6-8; United States and Canada coins
	CK099	Electronic Coin Drop Kit	Includes items 1-3 and 6-8; Australia, New Zealand, Hong Kong and South Korea coins
	CK100	Electronic Coin Drop Kit	Includes items 1-3 and 6-8; Euro and Great Britain coins
	CK101	Electronic Coin Drop Kit	Includes items 1-3 and 6-8; Euro, Denmark and Norway coins
	CK103	Electronic Coin Drop Kit	Includes items 1-3 and 6-8; Euro, Lithuania and Latvia coins
	CK108	Electronic Coin Drop Kit	Includes items 1-3 and 6-8; South African 1, 2 and 5 rand coins
	CK109	Electronic Coin Drop Kit	Includes items 1-3 and 6-8; Euro coins
	CK110	Electronic Coin Drop Kit	Includes items 1-3 and 6-8; Mexico, Ecuador and United States coins
	CK113	Electronic Coin Drop Kit	Includes items 1-3 and 6-8; Japan and Taiwan coins
	CK116	Electronic Coin Drop Kit	Includes items 1-3 and 6-8; Malaysia and China coins
	CK117	Electronic Coin Drop Kit	Includes items 1-3 and 6-8; Russia coins
	CK118	Electronic Coin Drop Kit	Includes items 1-3 and 6-8; Philippine coins
	CK120	Electronic Coin Drop Kit	Includes items 1-3 and 6-8; Chile coins
CK121	Electronic Coin Drop Kit	Includes items 1-3 and 6-8; Singapore coins	
CK122	Electronic Coin Drop Kit	Includes items 1-3 and 6-8; New Zealand coins	

* Add Letter To Designate Color. Q - Bisque W - White

Cabinet Wrapper and Card Reader

Models BTEBYFSP172TW01, BTGBYFSP112TW01, HTEBYFSP282CW01, HTEY77*N, HTEY77*N2802, HTGBYFSP092CW01, HTGBYFSP112TW01, HTGY79*N, HTGY79*N0902, STEBYFSP172TW01, STEF77*N, STEF77*N4350, STEY77*N, STEY77*N4064, STEY77*N5754, STGBYFSP112TW01, STGF79*N and STGY79*N



SWD1194P_802747

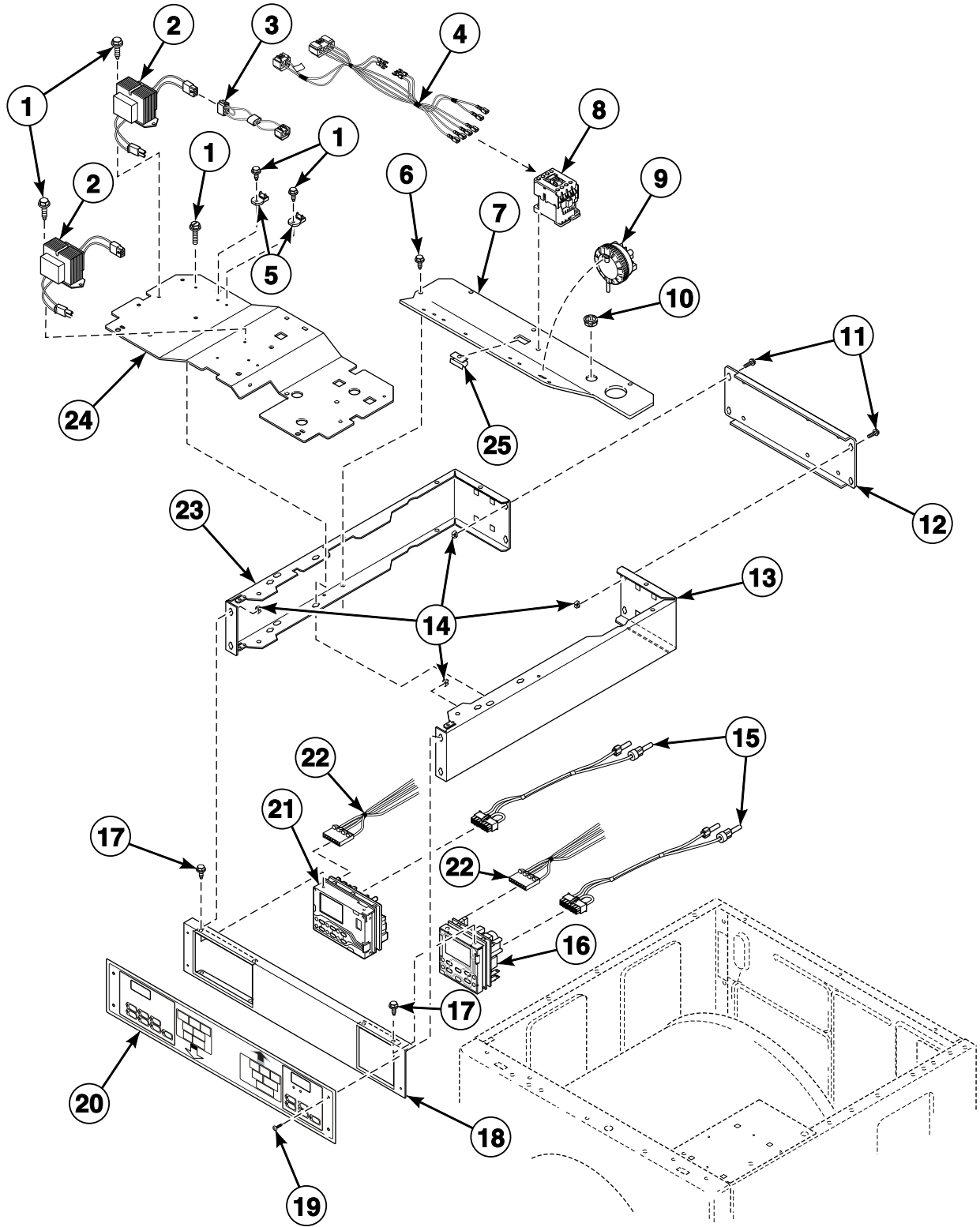
Cabinet Wrapper and Card Reader

REF	PART NO.	DESCRIPTION	COMMENTS
1	36048	Screw	
2	26509	Washer	
3	503661	Screw	
4	801235W	Security Cabinet Wrapper Assembly	White; Models STEY77*N4064 and STEY77*N5754
	801235Q	Security Cabinet Wrapper Assembly	Bisque; Models STEY77*N4064 and STEY77*N5754
	800231W	Security Cabinet Wrapper Assembly	White; All other models
	800231Q	Security Cabinet Wrapper Assembly	Bisque; All other models
5	503688	Screw	
6	800125P	Card Reader Wire Harness Assembly	Models STEF77*N, STEF77*N4350 and STGF79*N
7	39733	Screw	
8	56079	Panel Locator	
9	39564	Coin Drop Overlay	Models STEY77*N4064 and STEY77*N5754
	800230	Card Reader Overlay	Models STEF77*N, STEF77*N4350 and STGF79*N
	511544	Card Insert Overlay	Models BTEBYFSP172TW01, BTGBYFSP112TW01, STEBYFSP172TW01, STEY77*N, STGBYFSP112TW01 and STGY79*N
	511548	Card Insert Overlay	All other models
10	511208W	Security Cabinet Front Assembly	White
	511208Q	Security Cabinet Front Assembly	Bisque
11	510068P	Card Reader and Bracket Assembly	Models STEF77*N, STEF77*N4350 and STGF79*N
12	70054	Nut	

* Add Letter To Designate Color. Q - Bisque W - White

Control Cabinet and Controls

Models BTEBLFSP431AW01, BTEBLFSP432AW01, BTEL75*N4065, BTEL77*N4065,
BTGBLFSP301AW01, BTGBLFSP302AW01, NTEL77*N4064 and NTGL79*N4067



SWD1271P_802747

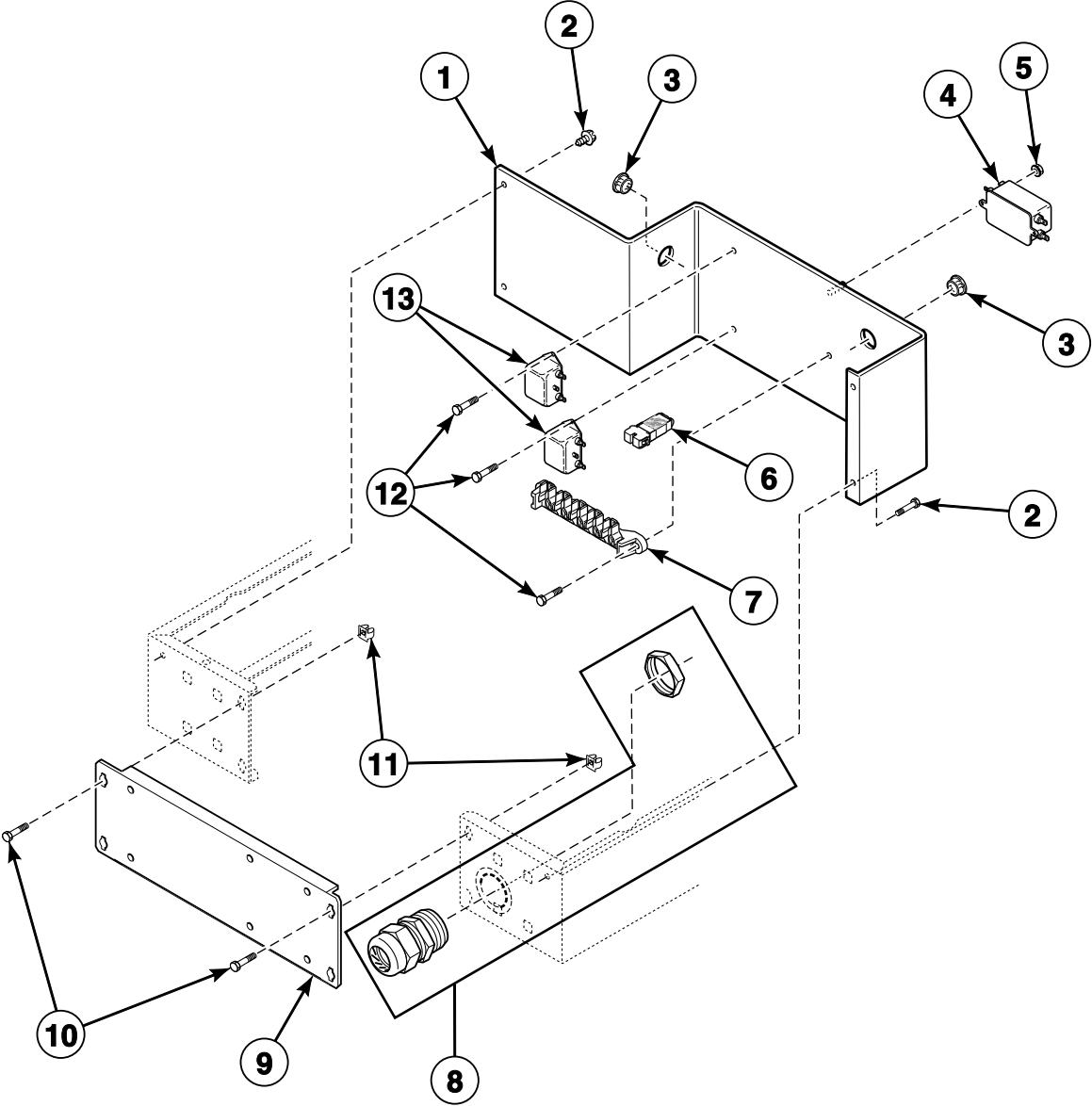
Control Cabinet and Controls

REF	PART NO.	DESCRIPTION	COMMENTS
1	503688	Screw	
2	803527P	Transformer	Model NTGL79*N4067 3 required; Models BTEBLFSP431AW01, BTEBLFSP432AW01, BTEL75*N4065, BTEL77*N4065, BTGBLFSP301AW01, BTGBLFSP302AW01 and NTEL77*N4064 2 required
3	M413507	Jumper Configuration Assembly	
4	801120P	Contacto Wire Harness Assembly	
5	210100	Resistor	
6	503661	Screw	
7	801371	Control Shield	
8	F330177P	Contacto	
9	802299P	Pressure Switch	
10	M402542	Snap Bushing	
11	70240301	Screw	
12	801058	Rear Control Cabinet	
13	800915W	Right Control Cabinet Side	White
	800915Q	Right Control Cabinet Side	Bisque
14	70030501	Expansion Clip	
15	800680	Diagnostic Wire Harness Assembly	
16	511867P	Control Assembly	Dryer
17	501524	Screw	
18	801778W	Control Panel	
19	800930	Screw	
20	801984	Graphic Overlay	Models BTEL75*N4065 and BTEL77*N4065
	803536	Overlay	Models BTEBLFSP431AW01, BTEBLFSP432AW01, BTGBLFSP301AW01 and BTGBLFSP302AW01
	802289	Graphic Overlay	All other models
21	802400P	Control Assembly	Washer
22	511478	Central Pay Harness	
23	801738W	Left Control Cabinet Side	
24	801777	Control Cabinet Bottom	
25	36985	Hose Clip	

* Add Letter To Designate Color. Q - Bisque W - White

Electrical Access Panel, Filters and Terminal Block

Models BTEBLFSP431AW01, BTEBLFSP432AW01, BTEL75*N4065, BTEL77*N4065, BTGBLFSP301AW01, BTGBLFSP302AW01, NTEL77*N4064 and NTGL79*N4067



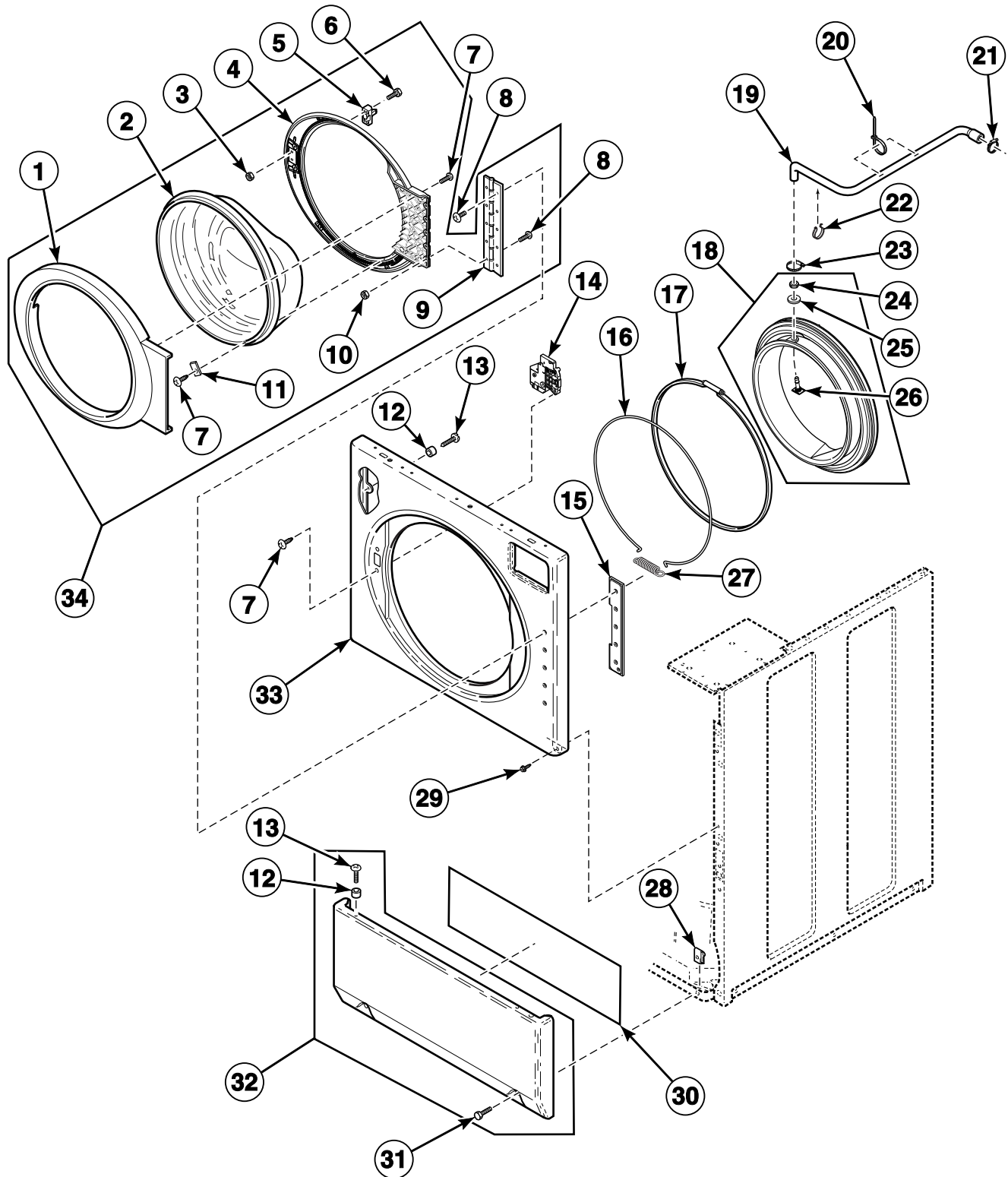
FLW863P_802747

Electrical Access Panel, Filters and Terminal Block

REF	PART NO.	DESCRIPTION	COMMENTS
1	801756	Terminal Block Assembly	
2	503688	Screw	
3	M402542	Snap Bushing	
4	201058	Line Filter	
5	29787	Nut	
6	801311	Network Varistor Assembly	
7	505876	Terminal Block Assembly	
8	801792P	Fitting	
9	801058	Rear Control Cabinet	
10	70240301	Screw	
11	70030501	Expansion Clip	
12	503661	Screw	
13	801255P	Filter	

* Add Letter To Designate Color. Q - Bisque W - White

Washer Front Panel and Door Assembly



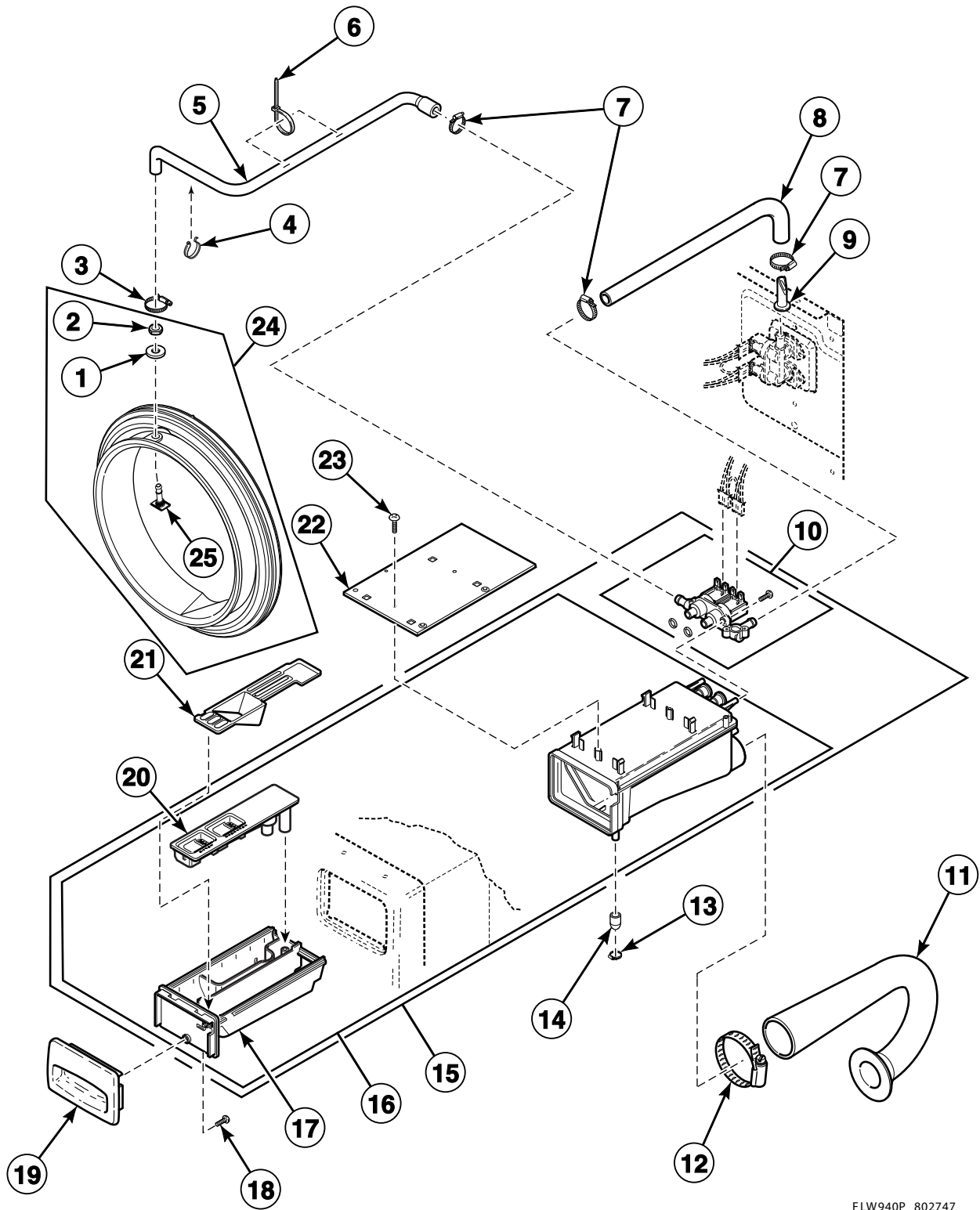
FLW938P_802747

Washer Front Panel and Door Assembly

REF	PART NO.	DESCRIPTION	COMMENTS
1	802314P	Outer Door Bezel Kit	BTE and BTG models
	802313WP	Outer Door Bezel Kit	White; All other models
	802313QP	Outer Door Bezel Kit	Bisque; All other models
2	802695P	Door Glass	
3	685846	Nut	
4	802331P	Inner Door Bezel Kit	BTE and BTG models
	802307P	Inner Door Bezel Kit	All other models
5	802803	Door Catch Assembly	
6	801993	Screw	
7	800548	Screw	
8	801019	Screw	
9	802934	Door Hinge	
10	23951	Nut	
11	802700	Glass Mounting Clip	
12	56079	Panel Locator	
13	39733	Screw	
14	802317P	Door Latch/Switch Assembly	
15	802206	Hinge Plate	
16	802283	Wire Clamp Ring	
17	802281	Hose Clamp	Seal to outer tub front
18	802866P	Door Seal Assembly	Black; Includes items 24-26
	802830P	Door Seal Kit	Gray; Includes items 24-26
19	802256	Dispenser-to-Door Seal Hose	
20	55881	Harness Strap	
21	802164	Hose Clamp	
22	687500	Wire Clip	
23	802698	Hose Clamp	
24	802292	Nut	
25	802293	Washer	
26	802291	Boot Nozzle	
27	802285	Extension Spring	
28	36020	Nut	
29	503661	Screw	
30	685368	Access Panel Damper	
31	801045	Screw	
32	514250W	Access Panel Assembly	White
	514250Q	Access Panel Assembly	Bisque
33	802277WP	Front Panel	White
	802277QP	Front Panel	Bisque
34	802872P	Door Assembly	Includes items 1-11; BTE and BTG models
	802368WP	Door Assembly	White; Includes items 1-11; All other models
	802368QP	Door Assembly	Bisque; Includes items 1-11; All other models

* Add Letter To Designate Color. Q - Bisque W - White

Dispenser Assembly and Door Seal



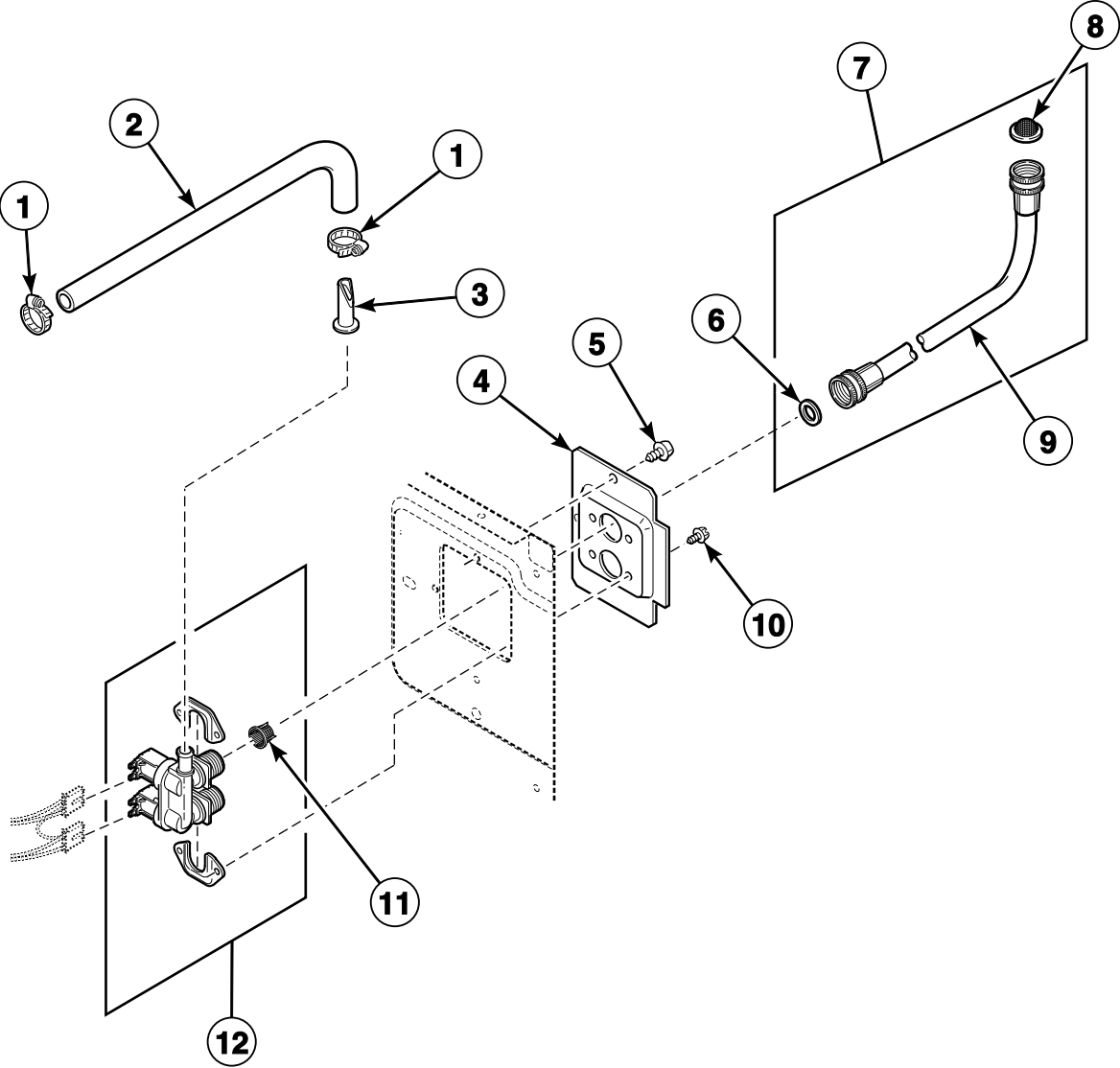
FLW940P_802747

Dispenser Assembly and Door Seal

REF	PART NO.	DESCRIPTION	COMMENTS
1	802293	Washer	
2	802292	Nut	
3	802698	Hose Clamp	
4	687500	Wire Clip	
5	802256	Dispenser-to-Door Seal Hose	
6	39037	Cable Tie	
7	802164	Hose Clamp	
8	801464	Valve-to-Dispenser Inlet Hose	
9	34500	Backflow Preventer	
10	801836P	Valve Kit	Models BTEBLFSP431AW01, BTEBLFSP432AW01, BTEBFXFSP432AW01, BTEL75*N4065, BTEL77*N4065, BTEX75*N4065, BTEX77*N4065, BTEX77*N4350, BTGBLFSP301AW01, BTGBLFSP302AW01, BTGBXFSP302AW01, BTGX79*N3060, HTEBFXFSP542DW01, HTGBXFSP542DW01, NTEBFXFSP302NW01, NTEBFXFSP302NW22, NTEL77*N4064, NTEX77*N3000, NTEX77*N4064, NTEX77*N4067, NTEX77*N5400, NTGBXFSP302NW01, NTGL79*N4067, NTGX79*N3000, NTGX79*N4067, STEA77*N3069, STEBFXFSP301NW22, STEBFXFSP302NW01, STEBFXFSP302NW22, STEBFXFSP432AW01, STEBFXFSP542DW01, STEBFXFSP542NW01, STEF77*N4350, STEX77*N3000, STEX77*N4064, STEX77*N4350, STEX77*N4351, STEX77*N5400, STEX77*N5754, STEY77*N4064, STEY77*N5754, STGBXFSP301NW22, STGBXFSP302AW01, STGBXFSP302NW01, STGBXFSP302NW22, STGBXFSP542DW01, STGX79*N3000, STGX79*N3060 and STGX79*N3061
	685766P	Valve Kit	All other models
11	800331	Dispenser-to-Tub Hose	
12	685725	Hose Clamp	
13	F200206	Hose Clamp	
14	801746	Cap	
15	801090P	Dispenser	Includes items 10, 16 and 19; Models BTEBLFSP431AW01, BTEBLFSP432AW01, BTEBFXFSP432AW01, BTEL75*N4065, BTEL77*N4065, BTEX75*N4065, BTEX77*N4065, BTEX77*N4350, BTGBLFSP301AW01, BTGBLFSP302AW01, BTGBXFSP302AW01, BTGX79*N3060, HTEBFXFSP542DW01, HTGBXFSP542DW01, NTEBFXFSP302NW01, NTEBFXFSP302NW22, NTEL77*N4064, NTEX77*N3000, NTEX77*N4064, NTEX77*N4067, NTEX77*N5400, NTGBXFSP302NW01, NTGL79*N4067, NTGX79*N3000, NTGX79*N4067, STEA77*N3069, STEBFXFSP301NW22, STEBFXFSP302NW01, STEBFXFSP302NW22, STEBFXFSP432AW01, STEBFXFSP542DW01, STEBFXFSP542NW01, STEF77*N4350, STEX77*N3000, STEX77*N4064, STEX77*N4350, STEX77*N4351, STEX77*N5400, STEX77*N5754, STEY77*N4064, STEY77*N5754, STGBXFSP301NW22, STGBXFSP302AW01, STGBXFSP302NW01, STGBXFSP302NW22, STGBXFSP542DW01, STGX79*N3000, STGX79*N3060 and STGX79*N3061
	685756P	Dispenser	Includes items 10, 16, 17 and 20; All other models
16	801476P	Dispenser Assembly	Includes items 17 and 20 and drawer
17	685757P	Dispenser Drawer	
18	800548	Screw	
19	685715WP	Dispenser Drawer Front	White
	685715QP	Dispenser Drawer Front	Bisque
20	685716	Insert	
21	800899	Detergent Cover	
22	801024	Dispenser Plate	
23	801001	Screw	
24	802866P	Door Seal Assembly	Black; Includes items 1, 2 and 25
	802830P	Door Seal Kit	Gray; Includes items 1, 2 and 25
25	802291	Boot Nozzle	

* Add Letter To Designate Color. Q - Bisque W - White

Mixing Valve, Valve-to-Dispenser Inlet Hose and Fill Hose



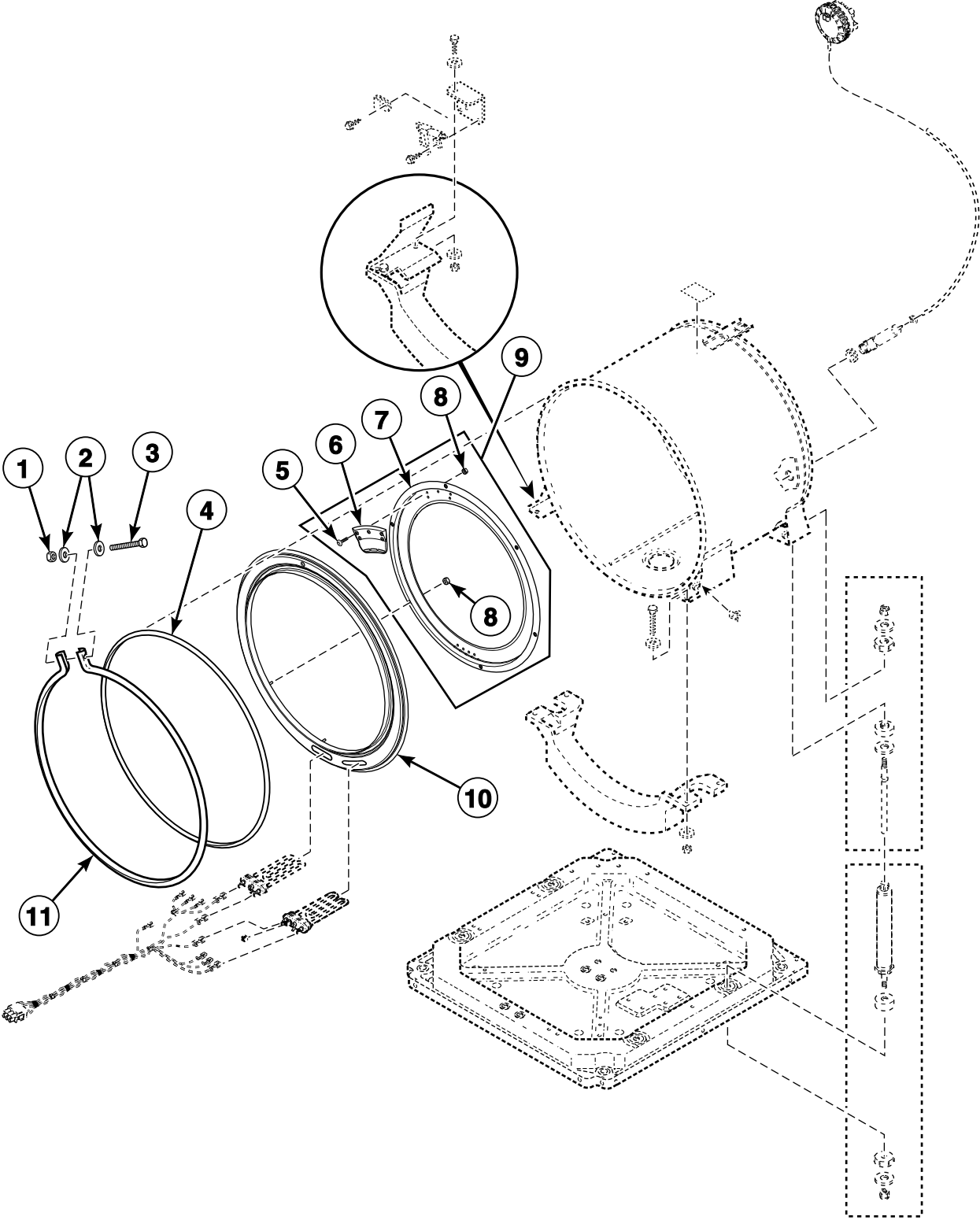
FLW881P_802747

Mixing Valve, Valve-to-Dispenser Inlet Hose and Fill Hose

REF	PART NO.	DESCRIPTION	COMMENTS
1	802164	Hose Clamp	
2	801464	Valve-to-Dispenser Inlet Hose	
3	34500	Backflow Preventer	
4	800323	Mixing Valve Plate	
5	503661	Screw	
6	20290	Washer	
7	F200116	Water Hose	5 feet; Hose is equipped with 2 standard hose couplings; Includes items 6 and 8; All models except HTEBXFSP132DW01, HTEBXFSP542DW01, HTGBXFSP542DW01, STEBXFSP132DW01, STEBXFSP542DW01 and STGBXFSP542DW01
	38349P	Fill Hose Kit	5 feet; Hose is equipped with 1 metric and 1 standard hose coupling; Includes 2 of item 6; All models except HTEBXFSP132DW01, HTEBXFSP542DW01, HTGBXFSP542DW01, STEBXFSP132DW01, STEBXFSP542DW01 and STGBXFSP542DW01
8	803615	Washer	Filter screen
	802254	Washer	Flow restrictor; Water pressure reducer; Available for water pressure up to but not exceeding 120 psi
9	202799	Fill Hose	Models HTEBXFSP132DW01, HTEBXFSP542DW01, HTGBXFSP542DW01, STEBXFSP132DW01, STEBXFSP542DW01 and STGBXFSP542DW01
	202931	Fill Hose	Models BTEBLFSP432AW01, BTEBXFSP432AW01, BTGBLFSP302AW01, BTGBXFSP302AW01, BTGX79*N3060, STEBXFSP432AW01, STEX77*N4351, STGBXFSP302AW01 and STGX79*N3061
	20617	Fill Hose	8 feet; Hose is equipped with 2 standard hose couplings; All other models
	20618	Fill Hose	10 feet; Hose is equipped with 2 standard hose couplings; All other models
	37380	Fill Hose	8 feet; Hose is equipped with 1 metric and 1 standard hose coupling; All other models
	37381	Fill Hose	10 feet; Hose is equipped with 1 metric and 1 standard hose coupling; All other models
10	501086	Screw	
11	802926	Mixing Valve Screen	
12	802222P	Mixing Valve	Models BTEBLFSP431AW01, BTEBLFSP432AW01, BTEBXFSP432AW01, BTEL75*N4065, BTEL77*N4065, BTEX75*N4065, BTEX77*N4065, BTEX77*N4350, BTGBLFSP301AW01, BTGBLFSP302AW01, BTGBXFSP302AW01, BTGX79*N3060, HTEBXFSP542DW01, HTGBXFSP542DW01, NTEBXFSP302NW01, NTEBXFSP302NW22, NTEL77*N4064, NTEX77*N3000, NTEX77*N4064, NTEX77*N4067, NTEX77*N5400, NTGBXFSP302NW01, NTGL79*N4067, NTGX79*N3000, NTGX79*N4067, STEA77*N3069, STEBXFSP301NW22, STEBXFSP302NW01, STEBXFSP302NW22, STEBXFSP432AW01, STEBXFSP542DW01, STEBXFSP542NW01, STEF77*N4350, STEX77*N3000, STEX77*N4064, STEX77*N4350, STEX77*N4351, STEX77*N5400, STEX77*N5754, STEY77*N4064, STEY77*N5754, STGBXFSP301NW22, STGBXFSP302AW01, STGBXFSP302NW01, STGBXFSP302NW22, STGBXFSP542DW01, STGX79*N3000, STGX79*N3060 and STGX79*N3061
	802220P	Mixing Valve	All other models

* Add Letter To Designate Color. Q - Bisque W - White

Tub Front and Clamp Ring



FLW1012P_802747

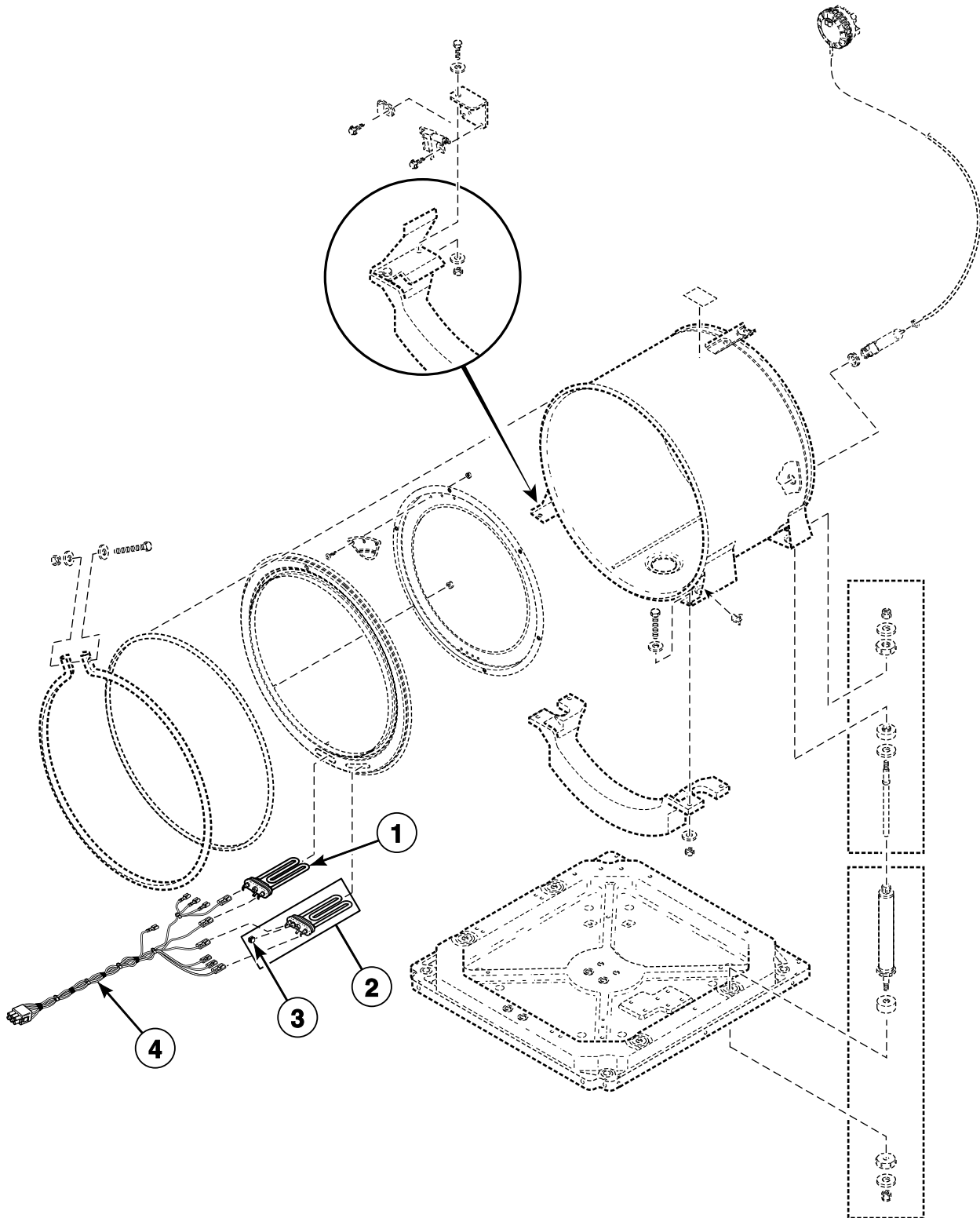
Tub Front and Clamp Ring

REF	PART NO.	DESCRIPTION	COMMENTS
1	F430218	Nut	
2	800457	Washer	
3	800462	Screw	
4	800432P	Tub Front Seal	
5	802596	Screw	
6	804174P	Clothes Guard Deflector	
	804482	Clothes Guard Deflector	Heavy duty
7	803537	Clothes Guard	
8	802343	Nut	
9	804560P	Clothes Guard and Deflector Kit	Includes items 2-8
	804482	Clothes Guard Deflector	Heavy duty
10	802260	Tub Front Assembly	Models BTEL75*N4065, BTEL77*N4065, BTEX75*N4065, BTEX77*N4065, NTEL77*N4064, NTEX77*N4064, NTEX77*N4067, NTGL79*N4067, NTGX79*N4067, STEX77*N4064, STEX77*N5754, STEY77*N4064 and STEY77*N5754; Models through Serial No. 1001000989
	803494	Tub Front Assembly	Models BTEL75*N4065, BTEL77*N4065, BTEX75*N4065, BTEX77*N4065, NTEL77*N4064, NTEX77*N4064, NTEX77*N4067, NTGL79*N4067, NTGX79*N4067, STEX77*N4064, STEX77*N5754, STEY77*N4064 and STEY77*N5754; Models starting Serial No. 1001000990
	802258	Tub Front Assembly	All other models
11	800312	Clamp Ring	

* Add Letter To Designate Color. Q - Bisque W - White

Heating Element

Models BTEL75*N4065, BTEL77*N4065, BTEX75*N4065, BTEX77*N4065, NTEL77*N4064, NTEX77*N4064, NTEX77*N4067, NTGL79*N4067, NTGX79*N4067, STEX77*N4064, STEX77*N5754, STEY77*N4064 and STEY77*N5754



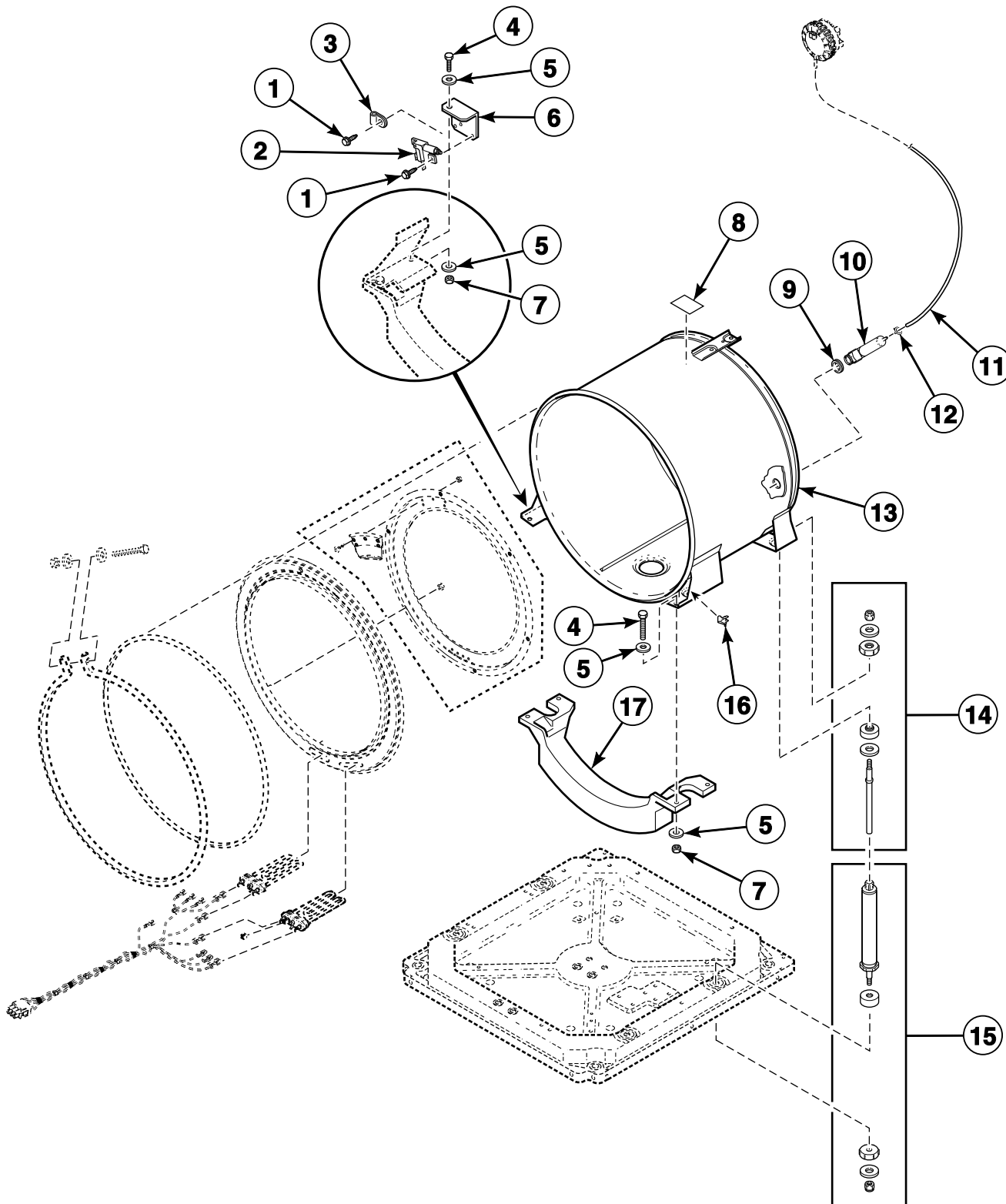
SWD1242P_802747

Heating Element

REF	PART NO.	DESCRIPTION	COMMENTS
1	803558P	Heating Element Kit	
2	803557P	Heating Element Kit	Includes item 3
3	803256	Thermistor	
4	802323P	Heater Harness	Models through Serial No. 1001000989
	803492	Heater Harness	Models starting Serial No. 1001000990

* Add Letter To Designate Color. Q - Bisque W - White

Outer Tub



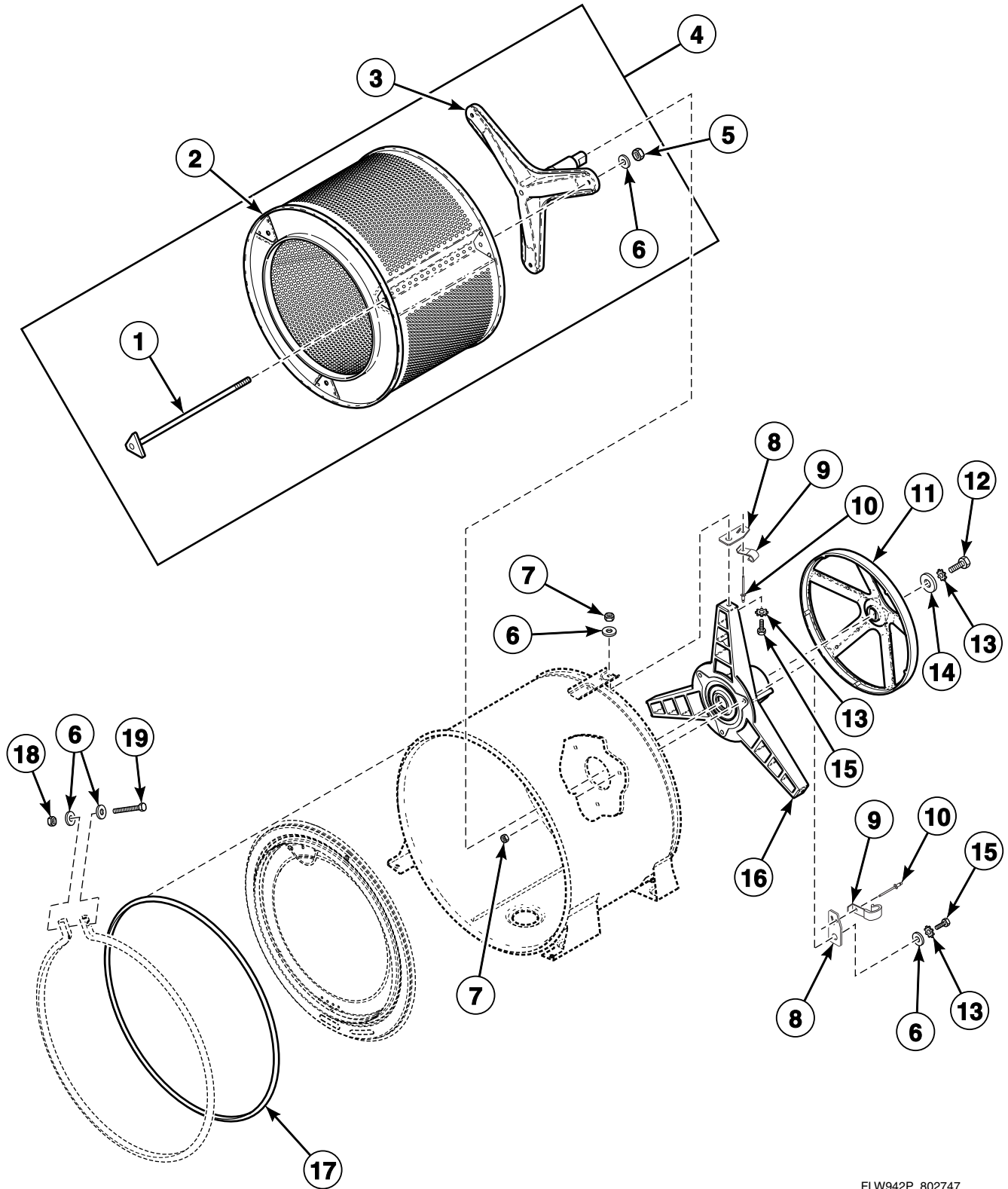
FLW1012PA_802747

Outer Tub

REF	PART NO.	DESCRIPTION	COMMENTS
1	503661	Screw	
2	801006	Out-of-Balance Switch Assembly	Models through Serial No. 1201004551
	803415	Out-of-Balance Switch Assembly	Models starting Serial No. 1201004552
3	800811	Wire Clamp	
4	800461	Screw	
5	M400081	Washer	
6	800663	Switch Mounting Bracket	Models through Serial No. 1201004551
	803388	Switch Mounting Bracket	Models starting Serial No. 1201004552
7	800452	Nut	
8	500314	Warning Label	Models BTEBEFSP281CW01, BTEBEFSP282CW01, BTGBEFSP091CW01, HTEB77*N2802, HTEBDFSP282CW01, HTEBXFSP282CW01, HTEBXFSP292CW01, HTEBYFSP282CW01, HTET77*N2802, HTEX77*N2802, HTEX77*N2902, HTEY77*N2802, HTGB79*N0902, HTGBDFSP092CW01, HTGBYFSP092CW01, HTGT79*N0902, HTGX79*N0902 and HTGY79*N0902
	F8211201	Electrical Shock Label	Models BTEL75*N4065, BTEL77*N4065, BTEX75*N4065, BTEX77*N4065, HTEBXFSP132DW01, HTEBXFSP542DW01, HTGBXFSP122DW01, HTGBXFSP542DW01, NTEBXFSP302NW01, NTEBXFSP302NW22, NTEL77*N4064, NTEX77*N3000, NTEX77*N4064, NTEX77*N4067, NTEX77*N5400, NTGBXFSP302NW01, NTGL79*N4067, NTGX79*N3000, NTGX79*N4067, STEA77*N3069, STEBXFSP132DW01, STEBXFSP301NW22, STEBXFSP302NW01, STEBXFSP302NW22, STEBXFSP542DW01, STEBXFSP542NW01, STEX77*N3000, STEX77*N4064, STEX77*N5400, STEX77*N5754, STEY77*N4064, STEY77*N5754, STGBXFSP122DW01, STGBXFSP301NW22, STGBXFSP302NW01, STGBXFSP302NW22, STGBXFSP542DW01 and STGX79*N3000
	F8211301	Pinched Fingers Label	Models BTEL75*N4065, BTEL77*N4065, BTEX75*N4065, BTEX77*N4065, HTEBXFSP132DW01, HTEBXFSP542DW01, HTGBXFSP122DW01, HTGBXFSP542DW01, NTEBXFSP302NW01, NTEBXFSP302NW22, NTEL77*N4064, NTEX77*N3000, NTEX77*N4064, NTEX77*N4067, NTEX77*N5400, NTGBXFSP302NW01, NTGL79*N4067, NTGX79*N3000, NTGX79*N4067, STEA77*N3069, STEBXFSP132DW01, STEBXFSP301NW22, STEBXFSP302NW01, STEBXFSP302NW22, STEBXFSP542DW01, STEBXFSP542NW01, STEX77*N3000, STEX77*N4064, STEX77*N5400, STEX77*N5754, STEY77*N4064, STEY77*N5754, STGBXFSP122DW01, STGBXFSP301NW22, STGBXFSP302NW01, STGBXFSP302NW22, STGBXFSP542DW01 and STGX79*N3000
	500049	Warning Label	All other models
9	29175	Grommet	
10	30907	Pressure Bulb	
11	800648P	Tubing	
12	39282	Hose Clamp	
13	801291	Outer Tub Assembly	Models BTEL75*N4065, BTEL77*N4065, BTEX75*N4065, BTEX77*N4065, NTEL77*N4064, NTEX77*N4064, NTEX77*N4067, NTGL79*N4067, NTGX79*N4067, STEX77*N4064, STEY77*N5754, STEY77*N4064 and STEY77*N5754
	801081P	Outer Tub Assembly	All other models
14	800622P	Tub Shock Absorber Kit	
15	802881P	Base Shock Absorber Kit	Must replace all 4
16	00161	Grounding Clip	
17	800205	Ballast Weight	

* Add Letter To Designate Color. Q - Bisque W - White

Inner Basket, Trunnion, Bearing Housing and Pulley

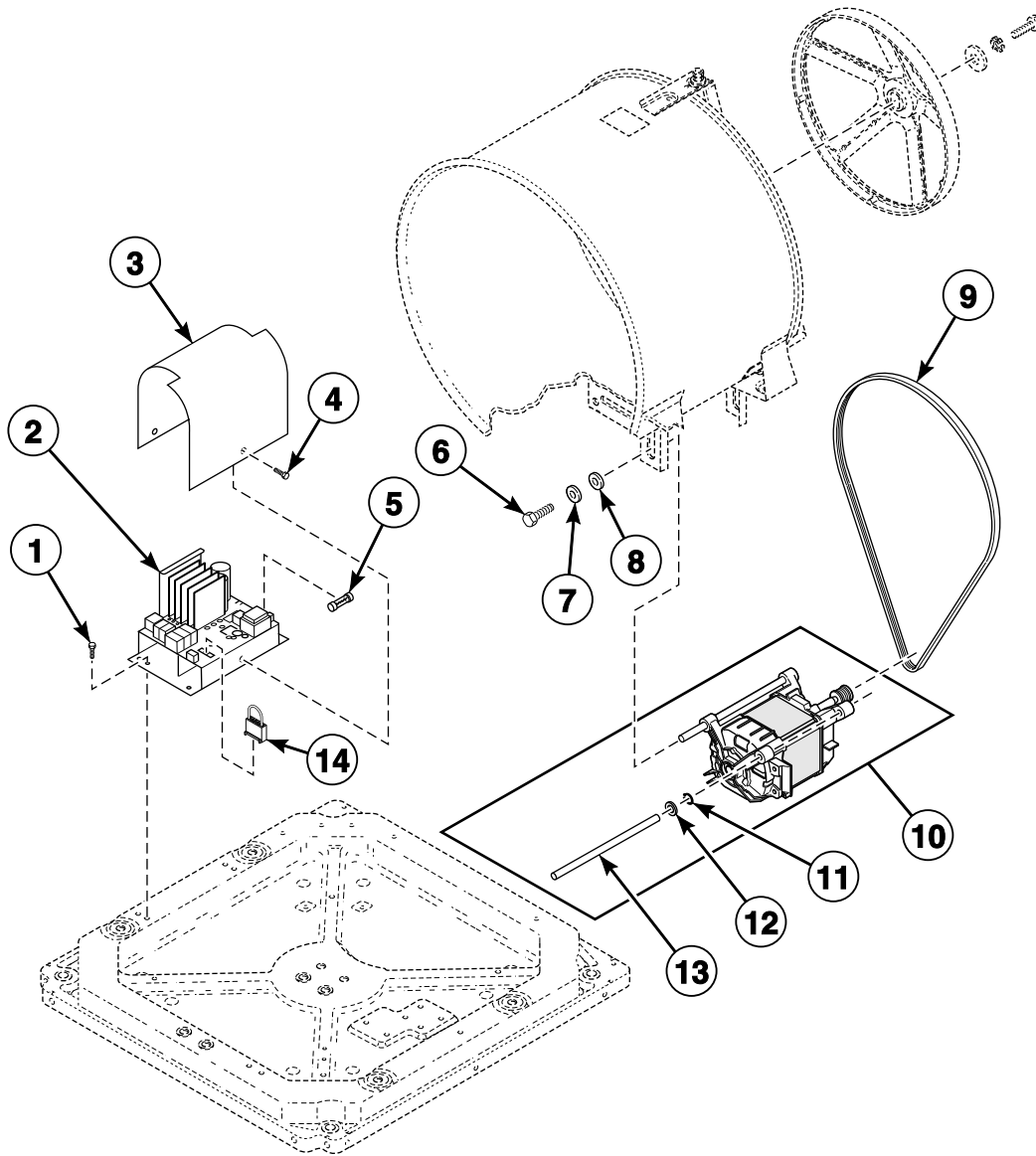


FLW942P_802747

Inner Basket, Trunnion, Bearing Housing and Pulley

REF	PART NO.	DESCRIPTION	COMMENTS
	27604P	Anti-Seize Compound	Pulley to inner basket shaft
	838P3	Hardware Kit	Includes (8) of item 6, (6) of item 7, (7) of item 13, (6) of item 10, (1) each of items 12, 14, 17, 18, 19 and 27604P Anti-Seize Compound
	RB160001	Bearing Kit	
1	800666	Tension Rod Assembly	
2	803008P	Inner Basket Assembly	
3	800749P	Trunnion Shaft and Hardware Kit	Includes (3) each of items 1, 5, 6, and 838P3 Hardware Kit
4	804322	Inner Basket Assembly	Models STEX77*N4351 and STGX79*N3061
	802365P	Inner Basket Assembly	All other models
5	803017	Nut	
6	800457	Washer	
7	800452	Nut	
8	800552	Hose Mounting Plate	
9	800553	Hose Clip	
10	685847	Pop Rivet	
11	800866	Driven Pulley	
12	685831	Screw	Left hand thread
13	M403958	Washer	
14	800464	Washer	
15	M400043	Screw	
16	800428P	Bearing Housing Kit	Includes 838P3 Hardware Kit
17	800432P	Tub Front Seal	
18	F430218	Nut	
19	800462	Screw	

Washer Motor and Belt



FLW1022P_802747

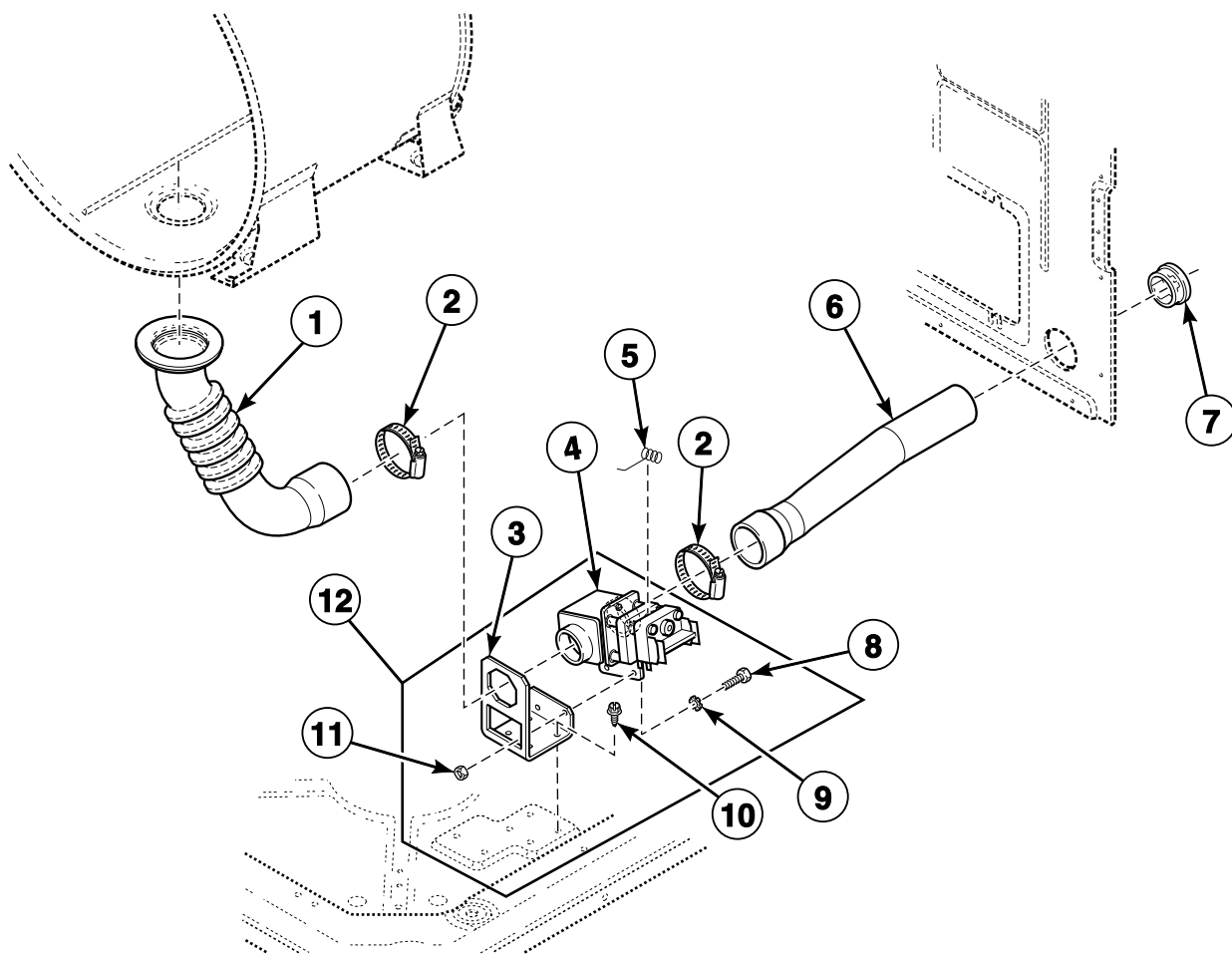
Washer Motor and Belt

REF	PART NO.	DESCRIPTION	COMMENTS
1	503661	Screw	
2	803255P	Inverter Control Assembly	240 Volt; Models BTEBLFSP431AW01, BTEBLFSP432AW01, BTEBFXFSP432AW01, BTEL75*N4065, BTEL77*N4065, BTEX75*N4065, BTEX77*N4065, BTEX77*N4350, BTGBLFSP301AW01, BTGBLFSP302AW01, BTGBFXFSP302AW01, BTGX79*N3060, HTEBFXFSP542DW01, HTGBFXFSP542DW01, NTEBFXFSP302NW01, NTEBFXFSP302NW22, NTEL77*N4064, NTEX77*N3000, NTEX77*N4064, NTEX77*N4067, NTEX77*N5400, NTGBFXFSP302NW01, NTGL79*N4067, NTGX79*N3000, NTGX79*N4067, STEA77*N3069, STEBFXFSP301NW22, STEBFXFSP302NW01, STEBFXFSP302NW22, STEBFXFSP432AW01, STEBFXFSP542DW01, STEBFXFSP542NW01, STEF77*N4350, STEX77*N3000, STEX77*N4064, STEX77*N4350, STEX77*N4351, STEX77*N5400, STEX77*N5754, STEY77*N4064, STEY77*N5754, STGBFXFSP301NW22, STGBFXFSP302AW01, STGBFXFSP302NW01, STGBFXFSP302NW22, STGBFXFSP542DW01, STGX79*N3000, STGX79*N3060 and STGX79*N3061
	803254P	Inverter Control Assembly	120 Volt; All other models
3	804738	Control Shield	Models BTEBLFSP432AW01, BTEBFXFSP432AW01, BTGBLFSP302AW01, BTGBFXFSP302AW01, BTGX79*N3060, STEBFXFSP432AW01, STEX77*N4351, STGBFXFSP302AW01 and STGX79*N3061
	801061	Control Shield	All other models
4	501524	Screw	
5	801755	Fuse	10 Amp
6	M400057	Screw	
7	02834	Washer	
8	M400080	Washer	
9	800319P	Drive Belt	
10	801684P	Motor and Rod Assembly Kit	Includes 2 each of items 11-13 and wire ties
11	23748	Retaining Ring	
12	52549	Washer	
13	801062	Motor Mount Rod	
14	513316	Jumper Harness	Use to limit spin RPM on inverter controls starting Serial No. 0911014603; 240 Volt; Models BTEBLFSP431AW01, BTEBLFSP432AW01, BTEBFXFSP432AW01, BTEL75*N4065, BTEL77*N4065, BTEX75*N4065, BTEX77*N4065, BTEX77*N4350, BTGBLFSP301AW01, BTGBLFSP302AW01, BTGBFXFSP302AW01, BTGX79*N3060, HTEBFXFSP132DW01, HTEBFXFSP542DW01, HTGBFXFSP542DW01, NTEBFXFSP302NW01, NTEBFXFSP302NW22, NTEL77*N4064, NTEX77*N3000, NTEX77*N4064, NTEX77*N4067, NTEX77*N5400, NTGBFXFSP302NW01, NTGL79*N4067, NTGX79*N3000, NTGX79*N4067, STEA77*N3069, STEBFXFSP132DW01, STEBFXFSP301NW22, STEBFXFSP302NW01, STEBFXFSP302NW22, STEBFXFSP432AW01, STEBFXFSP542DW01, STEBFXFSP542NW01, STEF77*N4350, STEX77*N3000, STEX77*N4064, STEX77*N4350, STEX77*N4351, STEX77*N5400, STEX77*N5754, STEY77*N4064, STEY77*N5754, STGBFXFSP301NW22, STGBFXFSP302AW01, STGBFXFSP302NW01, STGBFXFSP302NW22, STGBFXFSP542DW01, STGX79*N3000, STGX79*N3060 and STGX79*N3061
	513268	Jumper Harness	Use to limit spin RPM on inverter controls starting Serial No. 0911014603; 120 Volt; All other models

* Add Letter To Designate Color. Q - Bisque W - White

Drain Hoses and Valve

Models BTEL75*N4065, BTEX75*N4065, STGA73*N, STGBXFSG112TW01 and STGX73*N



FLW1702P_802747

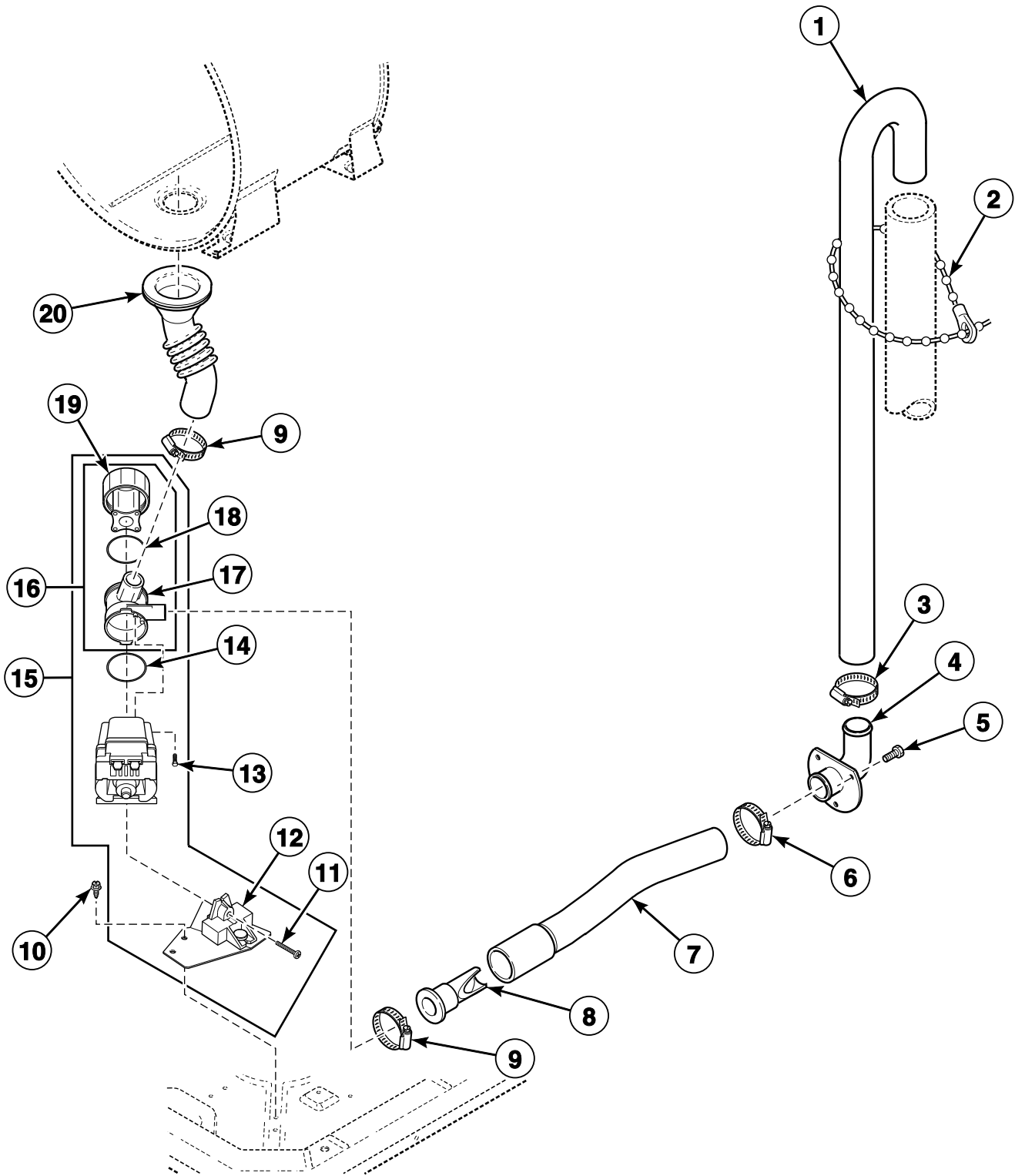
Drain Hoses and Valve

REF	PART NO.	DESCRIPTION	COMMENTS
1	800902	Tub-to-Drain Hose	
2	685725	Hose Clamp	
3	803291	Gravity Drain Bracket	
4	803292	Gravity Drain Valve	Models BTEL75*N4065 and BTEX75*N4065; Order F976P3 Drain Valve Kit for models through Serial No. 0904020485
	803293	Drain Valve	Models STGA73*N and STGX73*N; Order F975P3 Drian Valve Kit for models through Serial No. 0904020485
5	F8504601	Spring	
6	800903	Drain-to-Cabinet Hose	
7	503235	Snap Bushing	
8	02916	Screw	
9	M400017	Washer	
10	503661	Screw	
11	29786	Nut	
12	F976P3	Drain Valve Kit	Includes items 3, 4 and 7-10; Models BTEL75*N4065 and BTEX75*N4065
	F975P3	Drain Valve Kit	Includes items 3, 4 and 7-10; Models STGA73*N, STGBXFSG112TW01 and STGX73*N

* Add Letter To Designate Color. Q - Bisque W - White

Hoses and Pump

All Models Except BTEL75*N4065, BTEX75*N4065, STGA73*N, STGBXFSG112TW01 and STGX73*N



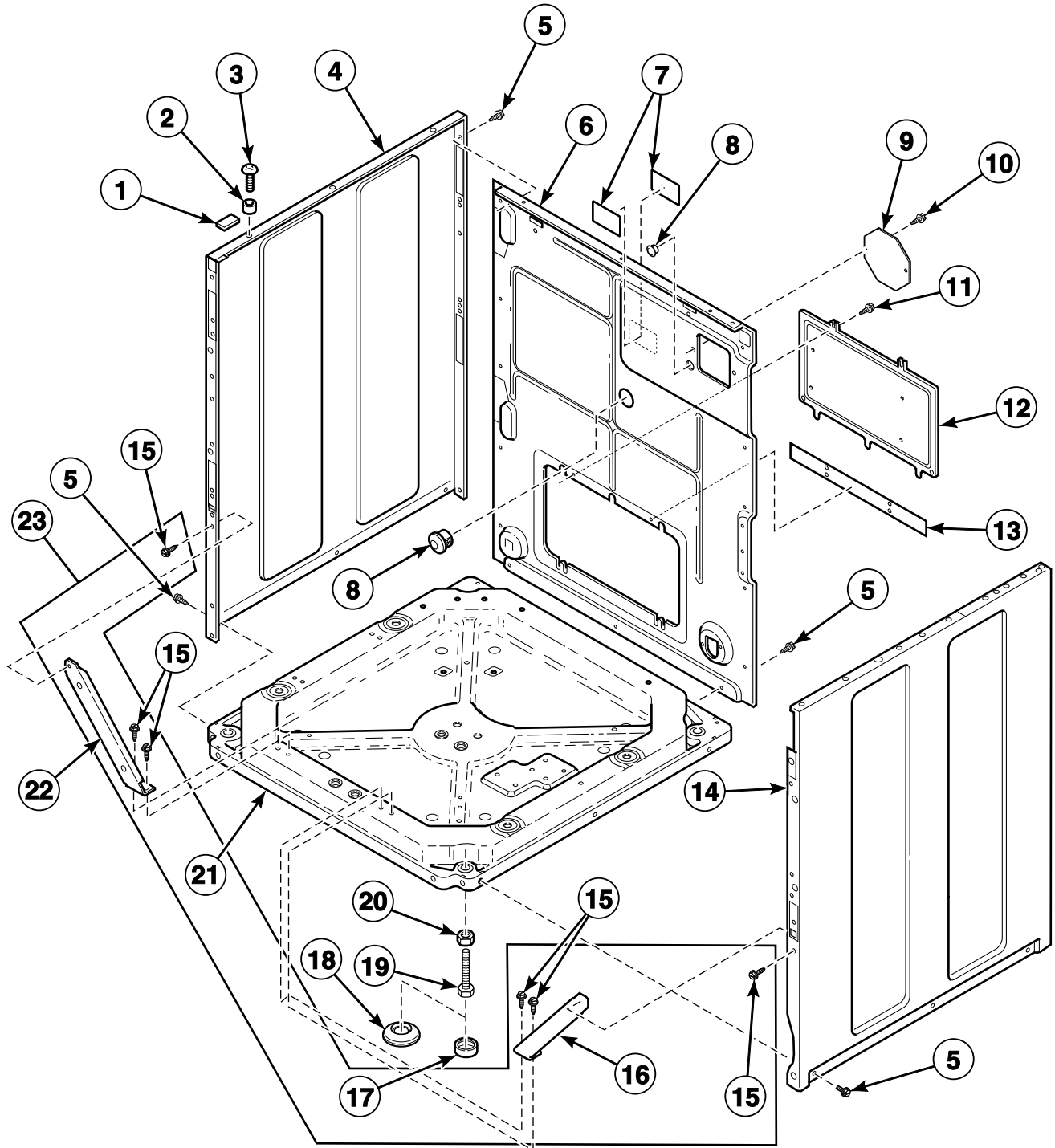
FLW943P_802747

Hoses and Pump

REF	PART NO.	DESCRIPTION	COMMENTS
1	27154	Drain Hose	
2	33489	Standpipe Strap	
3	20211	Hose Clamp	
4	35766	Drain Hose Elbow	
5	52909	Screw	
6	20391	Hose Clamp	
7	685737	Pump-to-Elbow Hose	
8	800310	Backflow Preventer	
9	F200204	Hose Clamp	
10	503661	Screw	
11	802430	Screw	
12	802626	Pump Mount Bracket	
13	802431	Screw	
14	802429P	O-Ring	
15	802624P	Drain Pump	Models BTEBLFSP431AW01, BTEBLFSP432AW01, BTEBXFSP432AW01, BTEL77*N4065, BTEX77*N4065, BTEX77*N4350, BTGBLFSP301AW01, BTGBLFSP302AW01, BTGBXFSP302AW01, BTGX79*N3060, NTEBXFSP302NW01, NTEBXFSP302NW22, NTEL77*N4064, NTEX77*N3000, NTEX77*N4064, NTEX77*N4067, NTGBXFSP302NW01, NTGL79*N4067, NTGX79*N3000, NTGX79*N4067, STEA77*N3069, STEBXFSP301NW22, STEBXFSP302NW01, STEBXFSP302NW22, STEBXFSP432AW01, STEF77*N4350, STEX77*N3000, STEX77*N4064, STEX77*N4350, STEX77*N4351, STEY77*N4064, STGBXFSP301NW22, STGBXFSP302AW01, STGBXFSP302NW01, STGBXFSP302NW22, STGX79*N3000, STGX79*N3060 and STGX79*N3061
	802625P	Drain Pump	Models HTEBXFSP542DW01, HTGBXFSP542DW01, NTEX77*N5400, STEBXFSP542DW01, STEBXFSP542NW01, STEX77*N5400, STEX77*N5754, STEY77*N5754 and STGBXFSP542DW01
	802623P	Drain Pump	All other models
16	802434P	Pump Housing Assembly	Includes items 17-19
17	802428	Pump Housing	
18	802427	Gasket	
19	802426P	Lid Assembly	Includes filter
20	800317	Tub-to-Pump Hose	
	27615P	Sealant	Tub-to-pump hose to outer tub
	985P3	Drain Kit	Includes 803344 Tub-to-Pump Hose with Trap, 90554 Hose Clamp, 803400 Cap and 27615P Sealant

* Add Letter To Designate Color. Q - Bisque W - White

Washer Base, Side Panels and Rear Panel



SWD1206P_802747

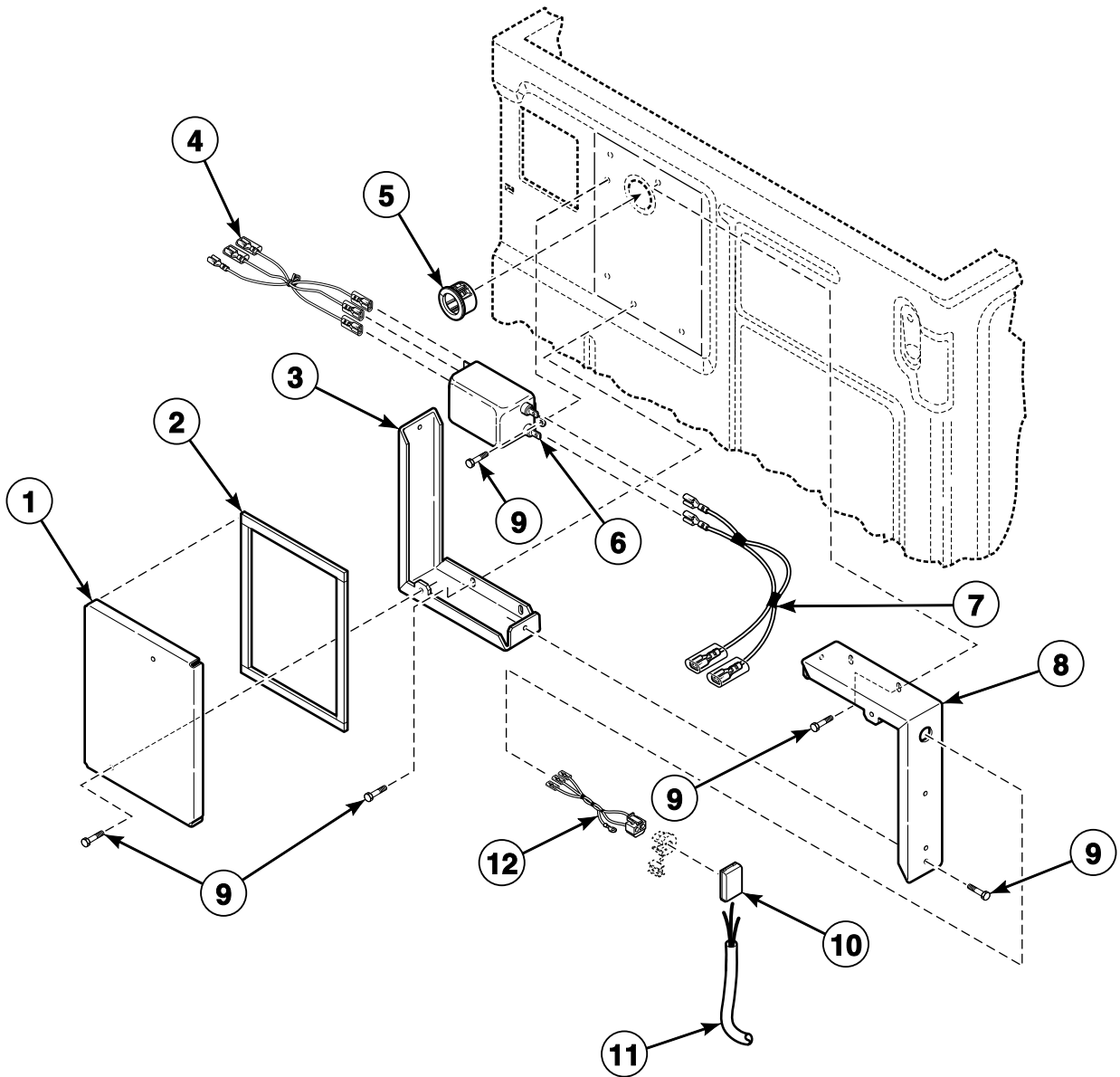
Washer Base, Side Panels and Rear Panel

REF	PART NO.	DESCRIPTION	COMMENTS
	122P4P	Porcelain Touch-Up Paint	White
	370P4P	Porcelain Touch-Up Paint	Bisque
1	36226	Bumper Pad	
2	56079	Panel Locator	
3	39733	Screw	
4	800004WP	Cabinet Panel Kit	White; Left; Includes corner gusset with hardware
	800004QP	Cabinet Panel Kit	Bisque; Left; Includes corner gusset with hardware
5	503661	Screw	
6	801216	Rear Panel	Models BTEL75*N4065, BTEX75*N4065, STGA73*N, STGBXFSG112TW01 and STGX73*N
	800010P	Rear Panel	All other models
7	804581	Screw Label	Models HTEBXFSP542DW01, HTGBXFSP122DW01 and STGBXFSP542DW01
	685928	Screw Label	Left hand thread; All other models
8	M412154	Hole Plug	
9	61203	Thermostat Opening Cover	Models BTEBEFSP281CW01, BTEBEFSP282CW01, BTEL75*N4065, BTEL77*N4065, BTEX75*N4065, BTEX77*N4065, BTGBEFSP091CW01, HTEB77*N2802, HTEBDFSP282CW01, HTEBXFSP282CW01, HTEBXFSP292CW01, HTEBYFSP282CW01, HTET77*N2802, HTEX77*N2802, HTEX77*N2902, HTEY77*N2802, HTGB79*N0902, HTGBDFSP092CW01, HTGBYFSP092CW01, HTGT79*N0902, HTGX79*N0902, HTGY79*N0902, NTEL77*N4064, NTEX77*N4064, NTEX77*N4067, NTGL79*N4067, NTGX79*N4067, STEX77*N4064, STEX77*N5754, STEY77*N4064 and STEY77*N5754
10	M405188	Screw	
11	430497	Screw	
12	800011	Rear Access Panel	
13	801702	Motor Access Hole Edging	
14	800005WP	Side Panel Kit	White; Right; Includes 801024 Dispenser Plate with hardware
	800005QP	Side Panel Kit	Bisque; Right; Includes 801024 Dispenser Plate with hardware
15	31645	Screw	
16	801492	Cabinet Brace	Right
17	34318	Rubber Foot	
18	802844P	Anchor Floor Mount Assembly	Includes 2 rubber discs with adhesive backing
19	34319	Leveling Leg	
20	21899	Nut	
21	802245	Base Assembly	
22	801491	Cabinet Brace	Left
23	918P3	Brace Kit	Includes items 15, 16 and 22

* Add Letter To Designate Color. Q - Bisque W - White

Junction Box and Power Cord

Models BTEBLFSP431AW01, BTEBLFSP432AW01, BTEBXFSP172FW01, BTEBXFSP432AW01, BTEX77*N1727, BTEX77*N4350, BTGBLFSP301AW01, BTGBLFSP302AW01, BTGBXFSP112FW01, BTGBXFSP302AW01, BTGX79*N1127, BTGX79*N3060, HTEBXFSP132DW01, HTEBXFSP542DW01, HTGBXFSP122DW01, HTGBXFSP542DW01, NTEBXFSP302NW01, NTEBXFSP302NW22, NTEX77*N3000, NTEX77*N5400, NTGBXFSP302NW01, NTGX79*N3000, STEA77*N3069, STEBXFSP132DW01, STEBXFSP301NW22, STEBXFSP302NW01, STEBXFSP302NW22, STEBXFSP432AW01, STEBXFSP542DW01, STEBXFSP542NW01, STEF77*N4350, STEX77*N2827, STEX77*N3000, STEX77*N4350, STEX77*N4351, STEX77*N5400, STGBXFSP122DW01, STGBXFSP301NW22, STGBXFSP302AW01, STGBXFSP302NW01, STGBXFSP302NW22, STGBXFSP542DW01, STGX79*N3000, STGX79*N3060 and STGX79*N3061



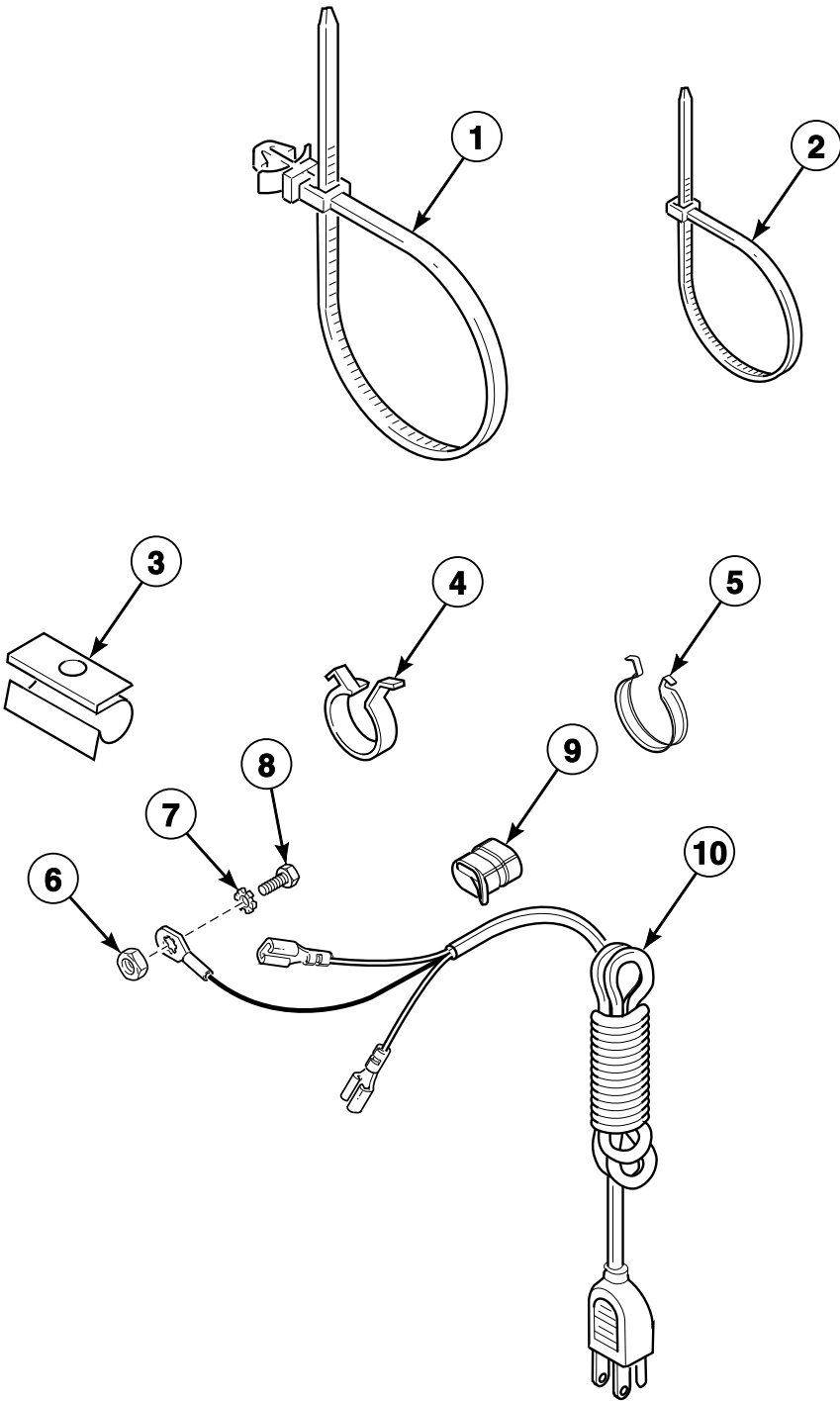
FLW1699P_802747

Junction Box and Power Cord

REF	PART NO.	DESCRIPTION	COMMENTS
1	801404	Junction Box Cover	
2	801425P	Junction Box Seal	4 required
3	801433	Lower Junction Box	
4	801420	Wire Harness Assembly	Line filter to power cord terminal block; All models except HTEBXFSP132DW01, HTEBXFSP542DW01, HTGBXFSP122DW01, HTGBXFSP542DW01, STEBXFSP132DW01, STEBXFSP542DW01, STGBXFSP122DW01 and STGBXFSP542DW01
5	M402542	Snap Bushing	
6	201058	Line Filter	All models except HTEBXFSP132DW01, HTEBXFSP542DW01, HTGBXFSP122DW01, HTGBXFSP542DW01, STEBXFSP132DW01, STEBXFSP542DW01, STGBXFSP122DW01 and STGBXFSP542DW01
7	802013	Wire Harness Assembly	Line filter to control harness; Models BTEBXFSP172FW01, BTEX77*N1727, BTGBXFSP112FW01, BTGX79*N1127 and STEX77*N2827
	801421	Wire Harness Assembly	Line filter to control harness; All other models
8	801403	Junction Box	Upper
9	503661	Screw	
10	39922	Cable Connection Box	
11	801450	Power Cord Assembly	Models NTEBXFSP302NW01, NTEBXFSP302NW22, NTEX77*N3000, NTEX77*N5400, NTGBXFSP302NW01, NTGX79*N3000, STEBXFSP301NW22, STEBXFSP302NW01, STEBXFSP302NW22, STEBXFSP542NW01, STEX77*N3000, STEX77*N5400, STGBXFSP301NW22, STGBXFSP302NW01, STGBXFSP302NW22 and STGX79*N3000
	39931	Power Cord Assembly	Models BTEBLFSP431AW01, BTEBLFSP432AW01, BTEBXFSP432AW01, BTEX77*N4350, BTGBLFSP301AW01, BTGBLFSP302AW01, BTGBXFSP302AW01, BTGX79*N3060, STEBXFSP432AW01, STEF77*N4350, STEX77*N4350, STEX77*N4351, STGBXFSP302AW01, STGX79*N3060 and STGX79*N3061; Includes plug
	802012	Power Cord Assembly	Models BTEBXFSP172FW01, BTEX77*N1727, BTGBXFSP112FW01, BTGX79*N1127 and STEX77*N2827
	39925	Power Cord Assembly	Model STEA77*N3069
	804556	Lead-In Cord Assembly	Models HTEBXFSP132DW01, HTEBXFSP542DW01, HTGBXFSP122DW01, HTGBXFSP542DW01, STEBXFSP132DW01, STEBXFSP542DW01, STGBXFSP122DW01 and STGBXFSP542DW01
12	201405P	Lead-In Wire Harness Assembly	Models HTEBXFSP132DW01, HTGBXFSP122DW01, STEBXFSP132DW01 and STGBXFSP122DW01
	804680	Lead-In Wire Harness Assembly	Models HTEBXFSP542DW01, HTGBXFSP542DW01, STEBXFSP542DW01 and STGBXFSP542DW01

* Add Letter To Designate Color. Q - Bisque W - White

Wire Ties, Harness Clips and Washer Lead-In Cord



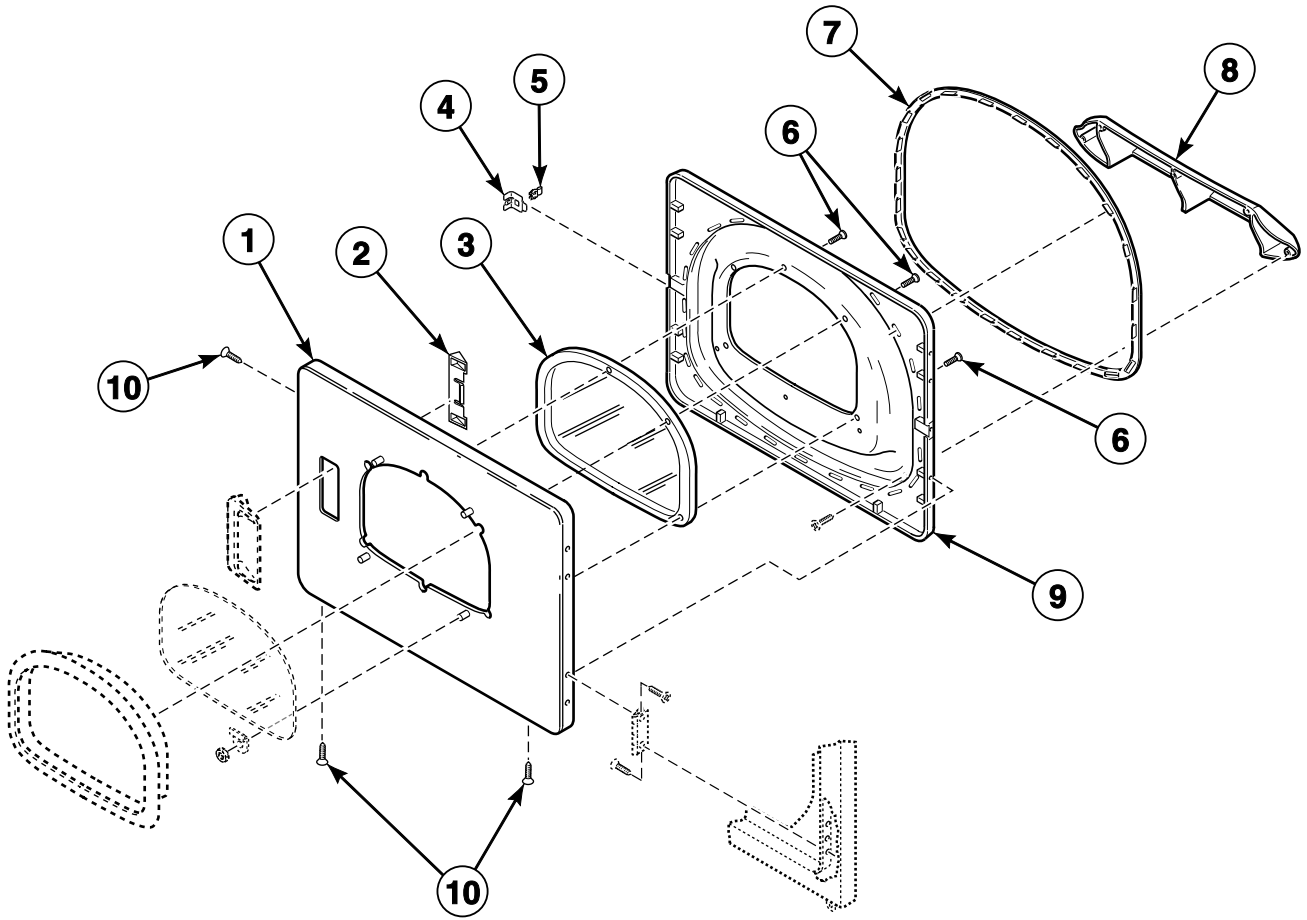
FLW823P_802747

Wire Ties, Harness Clips and Washer Lead-In Cord

REF	PART NO.	DESCRIPTION	COMMENTS
1	38663	Wire Tie	Push mount; 4.83 inches
	M405829	Cable Tie	6.13 inches
2	55881	Harness Strap	
3	36985	Hose Clip	
4	504034	Wire Clip	Small
5	687500	Wire Clip	Large
6	03673	Nut	
7	03815	Washer	
8	20530	Screw	
9	38384	Strain Relief	
10	34458	Lead-In Cord	Models BTEBCFSP171TW01, BTEBCFSP172TW01, BTEBEFSP171TW01, BTGBCFSP111TW01, BTGBCFSP112TW01, BTGBEFSP111TW01, HTEBCFSP172TW01, HTEBXFSP172FW28, HTET77*N, HTEY77*N, HTGBCFSP112TW01, HTGBXFSP112FW28, HTGBYFSP112TW01, HTGT79*N, HTGY79*N, STEA77*N, STEB77*N, STEBCFSP172TQ01, STEBCFSP172TW01, STEBXFSP172TQ01, STEBXFSP172TW01, STEBYFSP172TW01, STEF77*N, STET77*N, STEX77*N, STEY77*N, STGA73*N, STGA79*N, STGB79*N, STGBCFSP112TW01, STGBXFSG112TW01, STGBXFSP112TW01, STGBYFSP112TW01, STGF79*N, STGT79*N, STGX73*N, STGX79*N and STGY79*N

* Add Letter To Designate Color. Q - Bisque W - White

Dryer Loading Door with Window (Drawing 1 of 3)



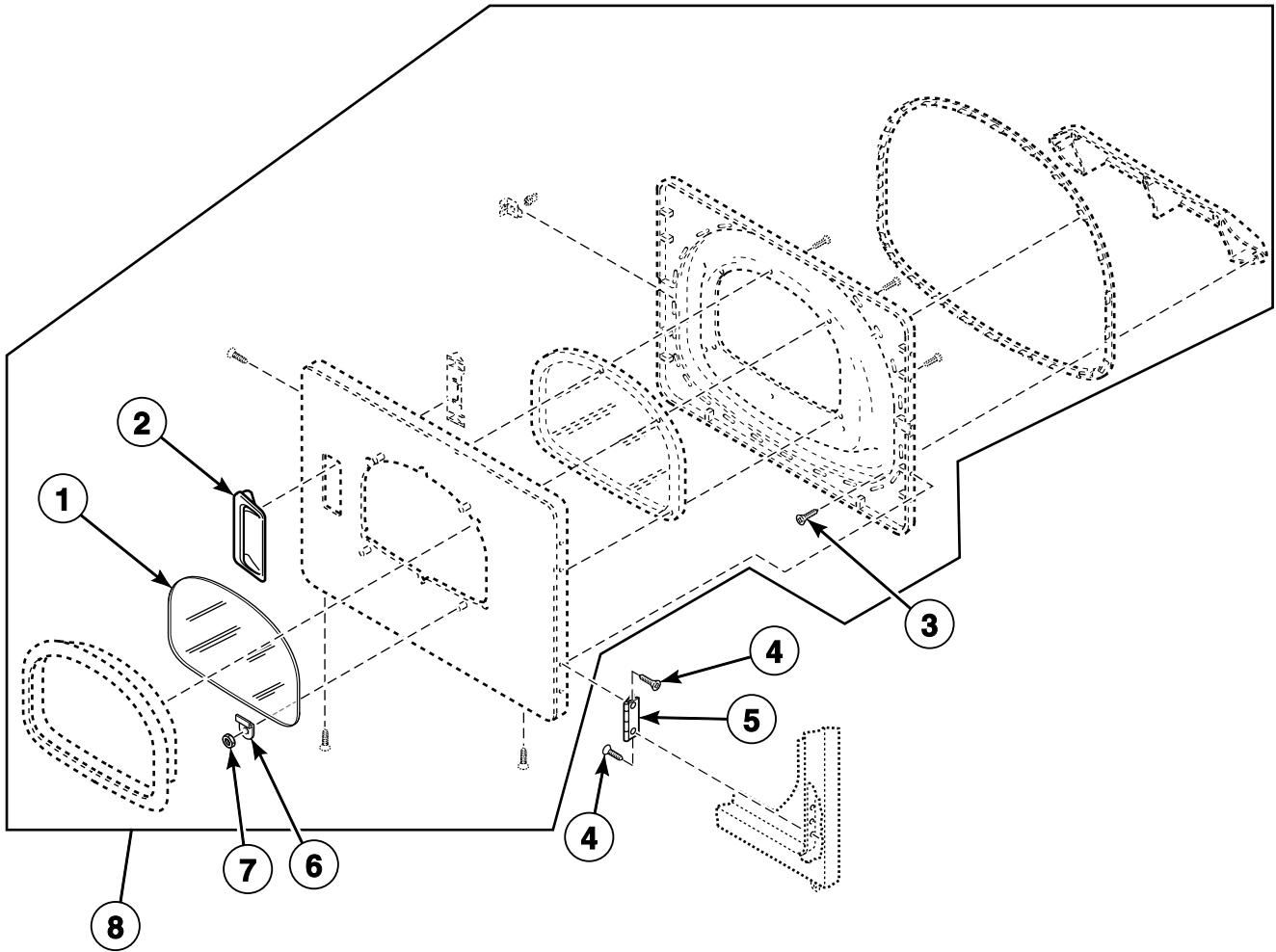
DRY2296P_802747

Dryer Loading Door with Window (Drawing 1 of 3)

REF	PART NO.	DESCRIPTION	COMMENTS
1	510082WP	Dryer Door	White; Models BTEBCFSP172TW01, BTEBEFSP282CW01, HTEBCFSP172TW01, HTEBDFSP282CW01, HTEBXFSP172FW28, HTEBXFSP282CW01, HTEBXFSP292CW01, HTEBYFSP282CW01, STEBCFSP172TQ01, STEBCFSP172TW01, STEBXFSP172TQ01, STEBXFSP172TW01 and STEBYFSP172TW01 through Serial No. 1303025314; All other models
	510082QP	Dryer Door	Bisque; Models BTEBCFSP172TW01, BTEBEFSP282CW01, HTEBCFSP172TW01, HTEBDFSP282CW01, HTEBXFSP172FW28, HTEBXFSP282CW01, HTEBXFSP292CW01, HTEBYFSP282CW01, STEBCFSP172TQ01, STEBCFSP172TW01, STEBXFSP172TQ01, STEBXFSP172TW01 and STEBYFSP172TW01 through Serial No. 1303025314; All other models
	514114W	Dryer Door Assembly	White; Models BTEBCFSP172TW01, BTEBEFSP282CW01, HTEBCFSP172TW01, HTEBDFSP282CW01, HTEBXFSP172FW28, HTEBXFSP282CW01, HTEBXFSP292CW01, HTEBYFSP282CW01, STEBCFSP172TQ01, STEBCFSP172TW01, STEBXFSP172TQ01, STEBXFSP172TW01 and STEBYFSP172TW01 starting Serial No. 1303025315
	514114Q	Dryer Door Assembly	Bisque; Models BTEBCFSP172TW01, BTEBEFSP282CW01, HTEBCFSP172TW01, HTEBDFSP282CW01, HTEBXFSP172FW28, HTEBXFSP282CW01, HTEBXFSP292CW01, HTEBYFSP282CW01, STEBCFSP172TQ01, STEBCFSP172TW01, STEBXFSP172TQ01, STEBXFSP172TW01 and STEBYFSP172TW01 starting Serial No. 1303025315
2	510129	Door Handle Wedge	
3	503982P	Dryer Door Window	
4	510127	Door Strike Mount	
5	510181	Door Strike	
6	505870	Screw	
7	510147P	Liner Door Seal	
8	503870W	Door Liner Grill	Models BTEBCFSP172TW01, BTEBEFSP282CW01, HTEBCFSP172TW01, HTEBDFSP282CW01, HTEBXFSP172FW28, HTEBXFSP282CW01, HTEBXFSP292CW01, HTEBYFSP282CW01, STEBCFSP172TQ01, STEBCFSP172TW01, STEBXFSP172TQ01, STEBXFSP172TW01 and STEBYFSP172TW01 through Serial No. 1303025314; All other models
	503870LG	Door Liner Grill	Models BTEBCFSP172TW01, BTEBEFSP282CW01, HTEBCFSP172TW01, HTEBDFSP282CW01, HTEBXFSP172FW28, HTEBXFSP282CW01, HTEBXFSP292CW01, HTEBYFSP282CW01, STEBCFSP172TQ01, STEBCFSP172TW01, STEBXFSP172TQ01, STEBXFSP172TW01 and STEBYFSP172TW01 starting Serial No. 1303025315
9	510098W	Liner and Seal Assembly	Includes item 7; Models BTEBCFSP172TW01, BTEBEFSP282CW01, HTEBCFSP172TW01, HTEBDFSP282CW01, HTEBXFSP172FW28, HTEBXFSP282CW01, HTEBXFSP292CW01, HTEBYFSP282CW01, STEBCFSP172TQ01, STEBCFSP172TW01, STEBXFSP172TQ01, STEBXFSP172TW01 and STEBYFSP172TW01 through Serial No. 1303025314; All other models
	510098LG	Liner and Seal Assembly	Includes item 7; Models BTEBCFSP172TW01, BTEBEFSP282CW01, HTEBCFSP172TW01, HTEBDFSP282CW01, HTEBXFSP172FW28, HTEBXFSP282CW01, HTEBXFSP292CW01, HTEBYFSP282CW01, STEBCFSP172TQ01, STEBCFSP172TW01, STEBXFSP172TQ01, STEBXFSP172TW01 and STEBYFSP172TW01 starting Serial No. 1303025315
10	500226	Screw	

* Add Letter To Designate Color. Q - Bisque W - White

Dryer Loading Door with Window (Drawing 2 of 3)



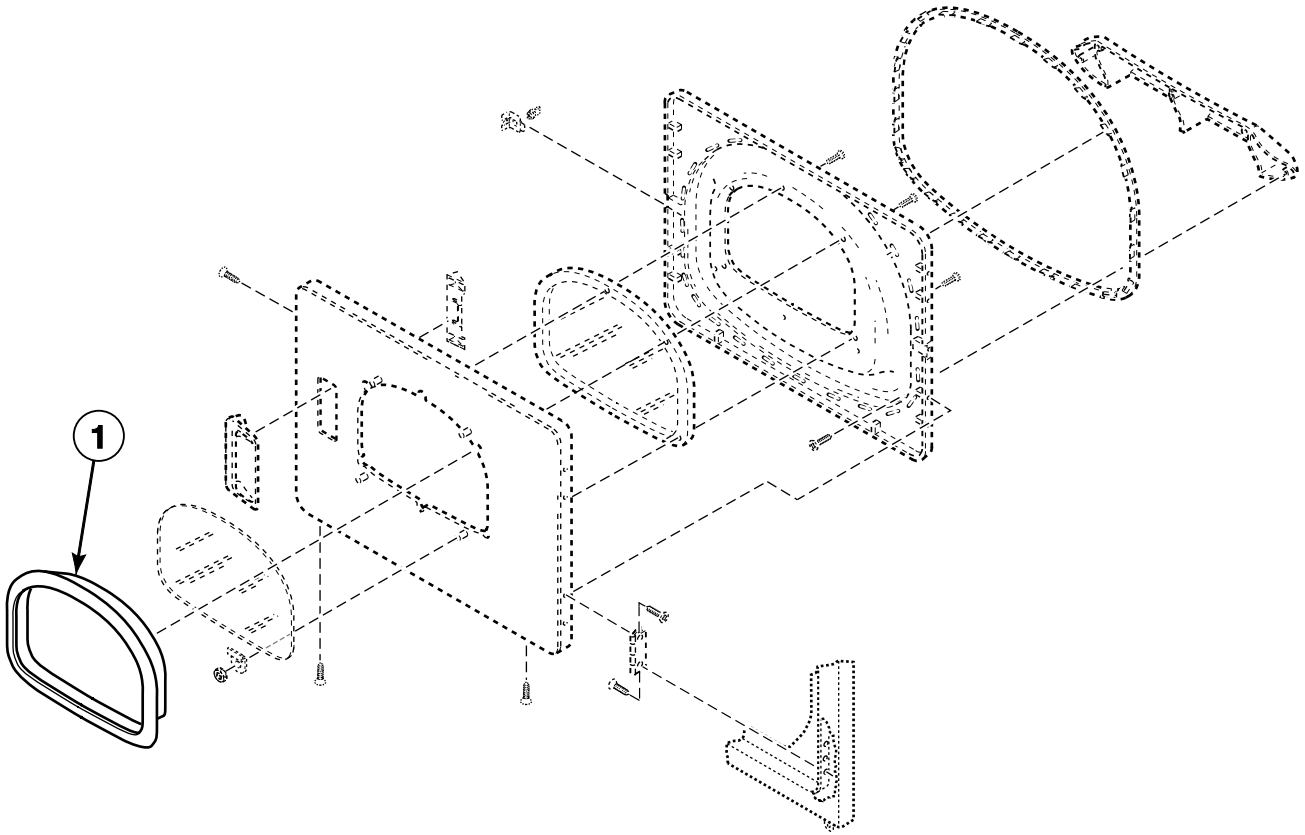
DRY2296PA_802747

Dryer Loading Door with Window (Drawing 2 of 3)

REF	PART NO.	DESCRIPTION	COMMENTS
1	513910	Glass Door Window	Models BTEBCFSP172TW01, BTEBEFSP282CW01, HTEBCFSP172TW01, HTEBDFSP282CW01, HTEBXFSP172FW28, HTEBXFSP282CW01, HTEBXFSP292CW01, HTEBYFSP282CW01, STEBCFSP172TQ01, STEBCFSP172TW01, STEBXFSP172TQ01, STEBXFSP172TW01 and STEBYFSP172TW01 starting Serial No. 1303025315
2	510103WP	Door Pull and Wedge Kit	White; Includes 510129 Door Handle Wedge
	510103QP	Door Pull and Wedge Kit	Bisque; Includes 510129 Door Handle Wedge
3	505870	Screw	
4	505295	Screw	
5	511036	Hinge	
6	513958	Window Clip	Models BTEBCFSP172TW01, BTEBEFSP282CW01, HTEBCFSP172TW01, HTEBDFSP282CW01, HTEBXFSP172FW28, HTEBXFSP282CW01, HTEBXFSP292CW01, HTEBYFSP282CW01, STEBCFSP172TQ01, STEBCFSP172TW01, STEBXFSP172TQ01, STEBXFSP172TW01 and STEBYFSP172TW01 starting Serial No. 1303025315
7	44071201	Nut	Models BTEBCFSP172TW01, BTEBEFSP282CW01, HTEBCFSP172TW01, HTEBDFSP282CW01, HTEBXFSP172FW28, HTEBXFSP282CW01, HTEBXFSP292CW01, HTEBYFSP282CW01, STEBCFSP172TQ01, STEBCFSP172TW01, STEBXFSP172TQ01, STEBXFSP172TW01 and STEBYFSP172TW01 starting Serial No. 1303025315
8	511636WP	Door and Liner Assembly	White; Includes window trim, items 2-3, and items 1-10 shown in <i>Dryer Loading Door with Window (Drawing 1 of 3)</i> ; Models BTEBCFSP172TW01, BTEBEFSP282CW01, HTEBCFSP172TW01, HTEBDFSP282CW01, HTEBXFSP172FW28, HTEBXFSP282CW01, HTEBXFSP292CW01, HTEBYFSP282CW01, STEBCFSP172TQ01, STEBCFSP172TW01, STEBXFSP172TQ01, STEBXFSP172TW01 and STEBYFSP172TW01 through Serial No. 1303025314; All other models
	511636QP	Door and Liner Assembly	Bisque; Includes window trim, items 2-3, and items 1-10 shown in <i>Dryer Loading Door with Window (Drawing 1 of 3)</i> ; Models BTEBCFSP172TW01, BTEBEFSP282CW01, HTEBCFSP172TW01, HTEBDFSP282CW01, HTEBXFSP172FW28, HTEBXFSP282CW01, HTEBXFSP292CW01, HTEBYFSP282CW01, STEBCFSP172TQ01, STEBCFSP172TW01, STEBXFSP172TQ01, STEBXFSP172TW01 and STEBYFSP172TW01 through Serial No. 1303025314; All other models

* Add Letter To Designate Color. Q - Bisque W - White

Dryer Loading Door with Window (Drawing 3 of 3)



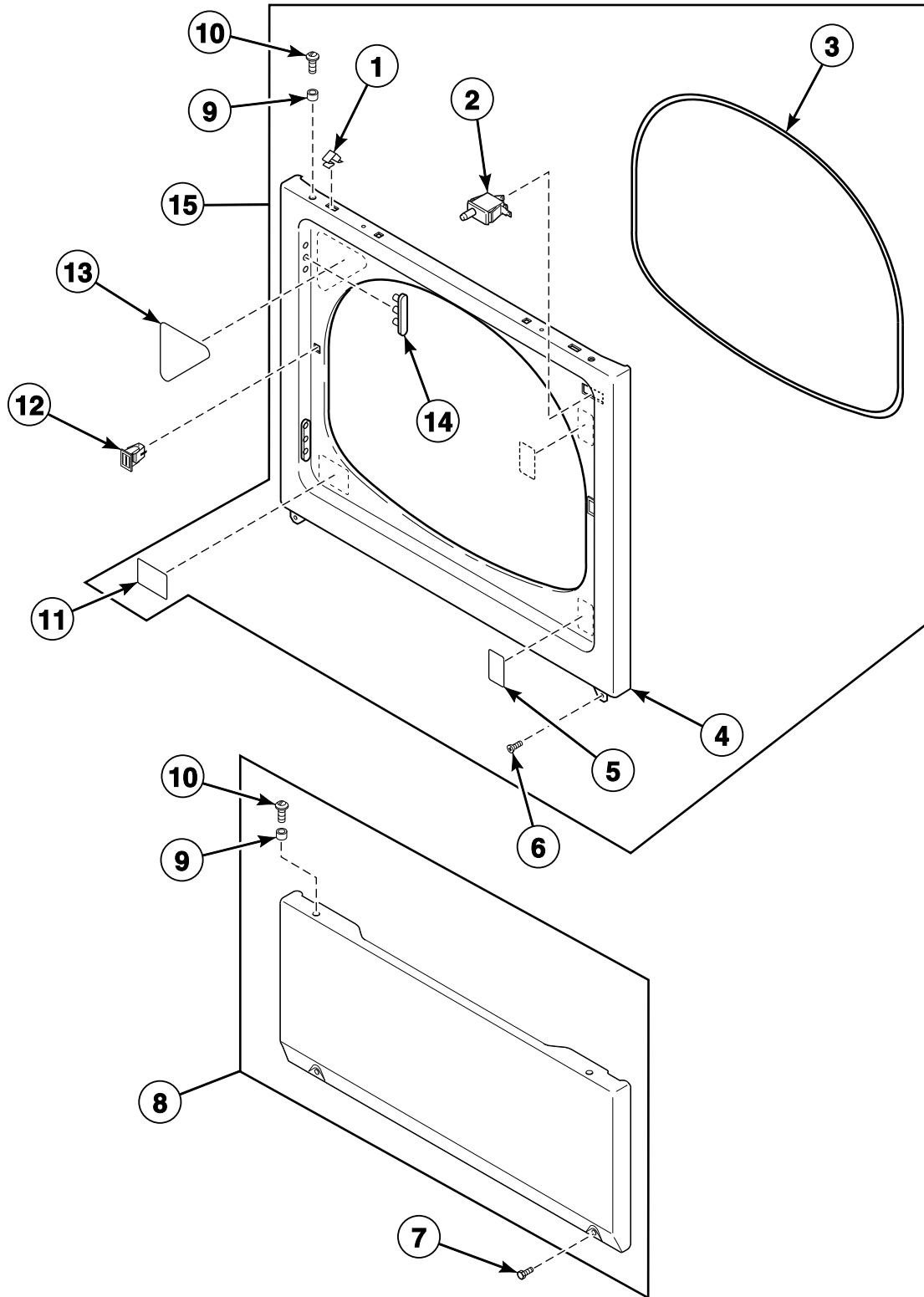
DRY2296PB_802747

Dryer Loading Door with Window (Drawing 3 of 3)

REF	PART NO.	DESCRIPTION	COMMENTS
1	512633	Window Trim	Gray; Models BTEBCFSP172TW01 and BTEBEFSP282CW01 through Serial No. 1303025314; Models BTEBCFSP171TW01, BTEBEFSP171TW01, BTEBEFSP281CW01, BTEBLFSP431AW01, BTEBLFSP432AW01, BTEBXFSP172FW01, BTEBXFSP432AW01, BTEL75*N4065, BTEL77*N4065, BTEX75*N4065, BTEX77*N1727, BTEX77*N4065, BTEX77*N4350, BTGBCFSP111TW01, BTGBCFSP112TW01, BTGBEFSP091CW01, BTGBEFSP111TW01, BTGBLFSP301AW01, BTGBLFSP302AW01, BTGBXFSP112FW01, BTGBXFSP302AW01, BTGX79*N1127 and BTGX79*N3060
	513959	Window Trim	Models BTEBCFSP172TW01 and BTEBEFSP282CW01 starting Serial No. 1303025315
	503981W	Window Trim	White; Models HTEBCFSP172TW01, HTEBDFSP282CW01, HTEBXFSP172FW28, HTEBXFSP282CW01, HTEBXFSP292CW01, HTEBYFSP282CW01, STEBCFSP172TQ01, STEBCFSP172TW01, STEBXFSP172TQ01, STEBXFSP172TW01 and STEBYFSP172TW01 through Serial No. 1303025314; All other models
	503981Q	Window Trim	Bisque; Models HTEBCFSP172TW01, HTEBDFSP282CW01, HTEBXFSP172FW28, HTEBXFSP282CW01, HTEBXFSP292CW01, HTEBYFSP282CW01, STEBCFSP172TQ01, STEBCFSP172TW01, STEBXFSP172TQ01, STEBXFSP172TW01 and STEBYFSP172TW01 through Serial No. 1303025314; All other models
	513960W	Window Trim	White; Models HTEBCFSP172TW01, HTEBDFSP282CW01, HTEBXFSP172FW28, HTEBXFSP282CW01, HTEBXFSP292CW01, HTEBYFSP282CW01, STEBCFSP172TQ01, STEBCFSP172TW01, STEBXFSP172TQ01, STEBXFSP172TW01 and STEBYFSP172TW01 starting Serial No. 1303025315
	513960Q	Window Trim	Bisque; Models HTEBCFSP172TW01, HTEBDFSP282CW01, HTEBXFSP172FW28, HTEBXFSP282CW01, HTEBXFSP292CW01, HTEBYFSP282CW01, STEBCFSP172TQ01, STEBCFSP172TW01, STEBXFSP172TQ01, STEBXFSP172TW01 and STEBYFSP172TW01 starting Serial No. 1303025315

* Add Letter To Designate Color. Q - Bisque W - White

Dryer Access Panel, Front Panel and Seal



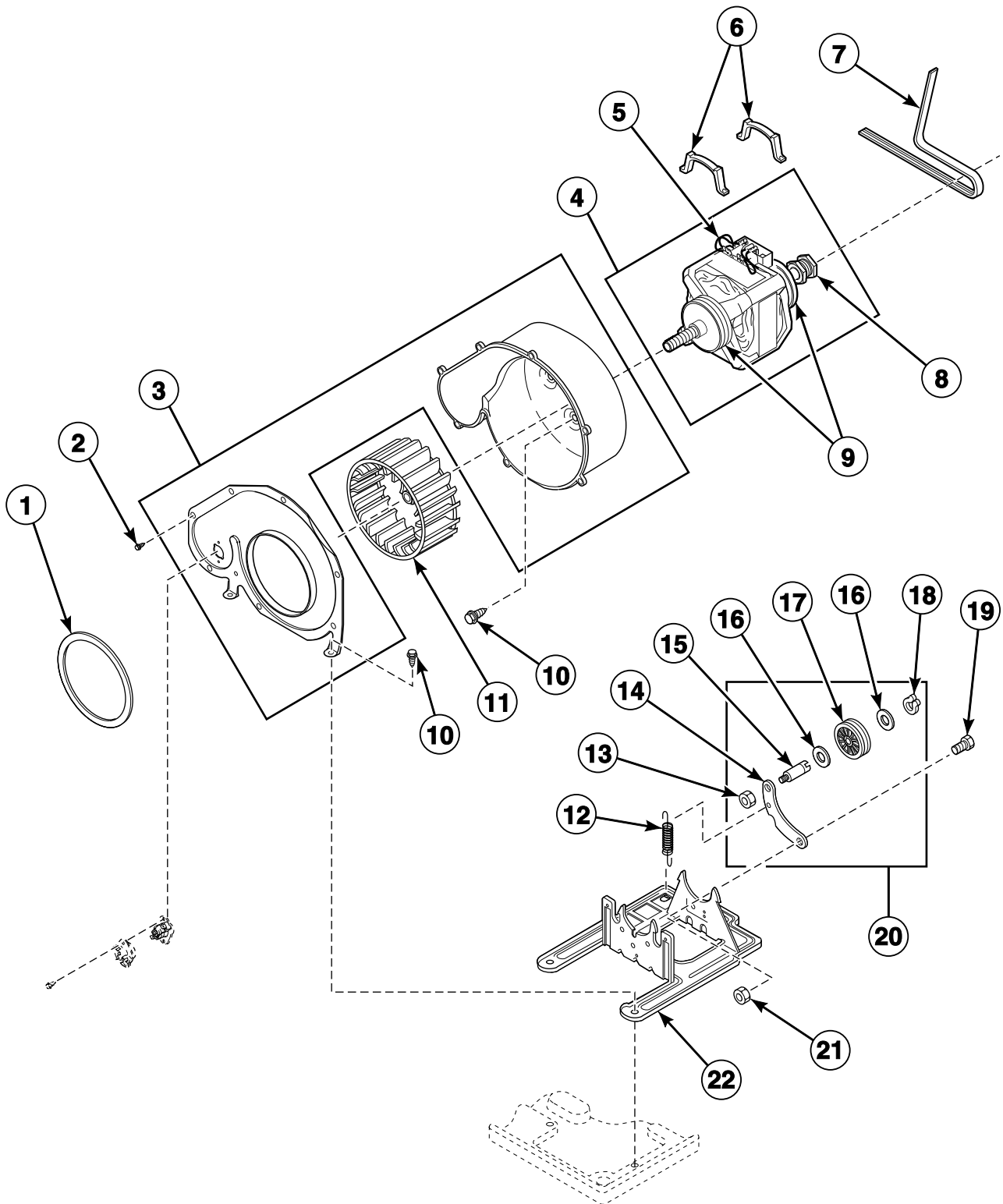
D400PE3A_802747

Dryer Access Panel, Front Panel and Seal

REF	PART NO.	DESCRIPTION	COMMENTS
1	28835	Speed Clip	
2	512973	Switch	
3	511056	Front Panel Seal	
4	510066WP	Front Panel	White
	510066QP	Front Panel	Bisque
5	503688	Screw	
6	512263	Warning Label	Models BTEBLFSP431AW01, BTEBLFSP432AW01, BTEBXFSP432AW01, BTEX77*N4350, BTGBLFSP301AW01, BTGBLFSP302AW01, BTGBXFSP302AW01, BTGX79*N3060, STEBXFSP432AW01, STEF77*N4350, STEX77*N4350, STEX77*N4351, STGBXFSP302AW01, STGX79*N3060 and STGX79*N3061
7	33562	Screw	Slotted hex head
	62853	Screw	Torx head; Optional for added security
8	514250W	Access Panel Assembly	White; Models BTEBCFSP172TW01, BTEBEFSP282CW01, HTEBCFSP172TW01, HTEBDFSP282CW01, HTEBXFSP172FW28, HTEBXFSP282CW01, HTEBXFSP292CW01, HTEBYFSP282CW01, STEBCFSP172TQ01, STEBCFSP172TW01, STEBXFSP172TQ01, STEBXFSP172TW01 and STEBYFSP172TW01 through Serial No. 1303025314; All other models
	514250Q	Access Panel Assembly	Bisque; Models BTEBCFSP172TW01, BTEBEFSP282CW01, HTEBCFSP172TW01, HTEBDFSP282CW01, HTEBXFSP172FW28, HTEBXFSP282CW01, HTEBXFSP292CW01, HTEBYFSP282CW01, STEBCFSP172TQ01, STEBCFSP172TW01, STEBXFSP172TQ01, STEBXFSP172TW01 and STEBYFSP172TW01 through Serial No. 1303025314; All other models
	514252W	Access Panel and Guard Assembly	White; Models BTEBCFSP172TW01, BTEBEFSP282CW01, HTEBCFSP172TW01, HTEBDFSP282CW01, HTEBXFSP172FW28, HTEBXFSP282CW01, HTEBXFSP292CW01, HTEBYFSP282CW01, STEBCFSP172TQ01, STEBCFSP172TW01, STEBXFSP172TQ01, STEBXFSP172TW01 and STEBYFSP172TW01 starting Serial No. 1303025315
	514252Q	Access Panel and Guard Assembly	Bisque; Models BTEBCFSP172TW01, BTEBEFSP282CW01, HTEBCFSP172TW01, HTEBDFSP282CW01, HTEBXFSP172FW28, HTEBXFSP282CW01, HTEBXFSP292CW01, HTEBYFSP282CW01, STEBCFSP172TQ01, STEBCFSP172TW01, STEBXFSP172TQ01, STEBXFSP172TW01 and STEBYFSP172TW01 starting Serial No. 1303025315
9	56079	Panel Locator	
10	39733	Screw	
11	502804	Clean Lint Label	Models BTEBLFSP431AW01, BTEBLFSP432AW01, BTEBXFSP432AW01, BTEX77*N4350, BTGBLFSP301AW01, BTGBLFSP302AW01, BTGBXFSP302AW01, BTGX79*N3060, STEBXFSP432AW01, STEF77*N4350, STEX77*N4350, STEX77*N4351, STGBXFSP302AW01, STGX79*N3060 and STGX79*N3061
12	514113	Door Catch Assembly	
13	500253	Caution Label	Models BTEBEFSP281CW01, BTEBEFSP282CW01, BTGBEFSP091CW01, HTEB77*N2802, HTEBDFSP282CW01, HTEBXFSP282CW01, HTEBXFSP292CW01, HTEBYFSP282CW01, HTET77*N2802, HTEX77*N2802, HTEX77*N2902, HTEY77*N2802, HTGB79*N0902, HTGBDFSP092CW01, HTGBYFSP092CW01, HTGT79*N0902, HTGX79*N0902 and HTGY79*N0902
	514226	Warning Label	Models HTEBXFSP132DW01, HTEBXFSP542DW01, HTGBXFSP122DW01, HTGBXFSP542DW01, STEBXFSP132DW01, STEBXFSP542DW01, STGBXFSP122DW01 and STGBXFSP542DW01
	500281	Warning/Caution Label	All other models
14	510186	Hinge Hole Plug	
15	513781W	Front Panel Assembly	Includes items 1-4, 9, 10, 12, 14, 511636WP Door Assembly, (2) of 511036 Door Hinge and (8) of 500226 Screw

* Add Letter To Designate Color. Q - Bisque W - White

Dryer Motor, Blower Fan and Belt



SWD1175P_802747

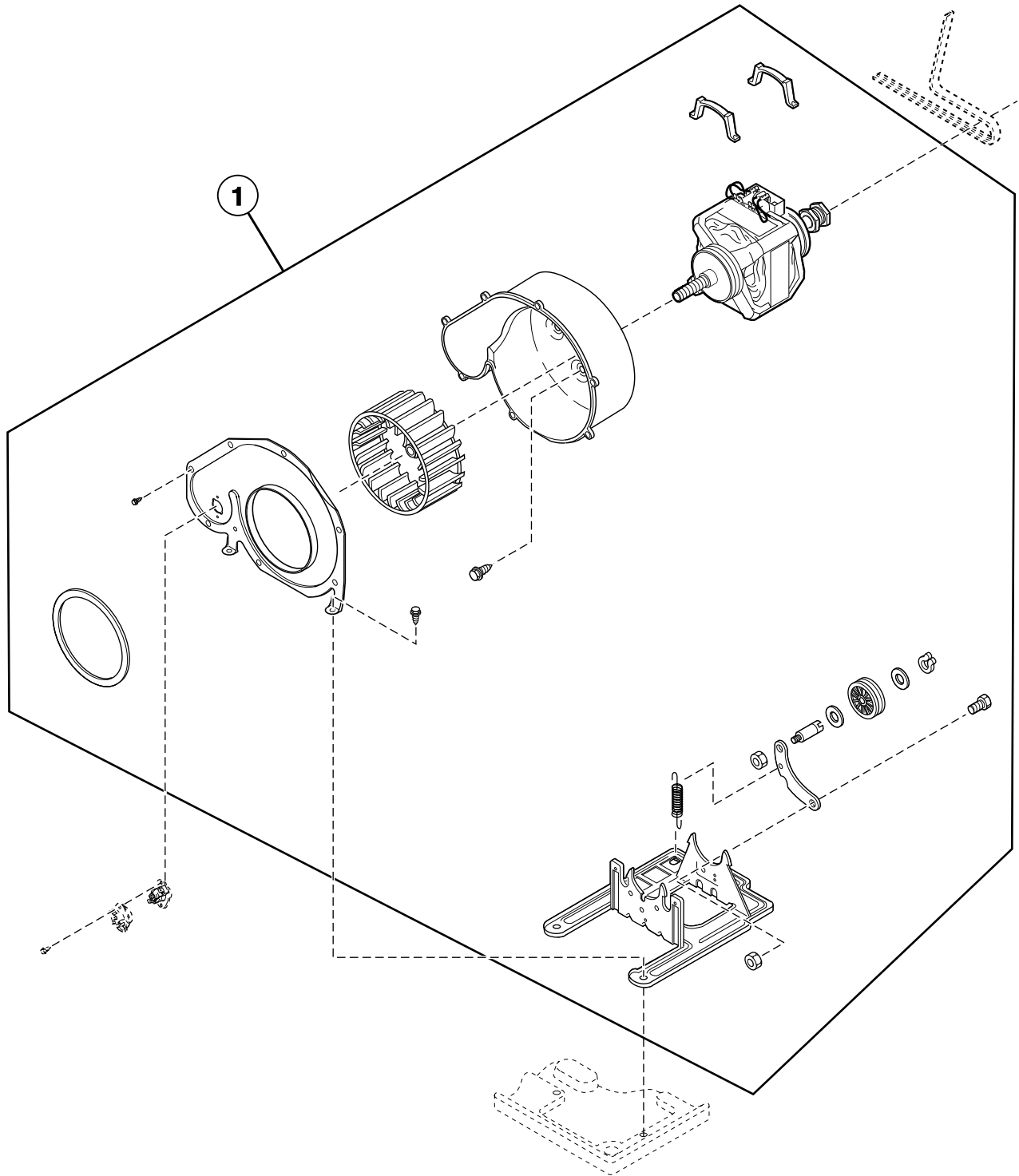
Dryer Motor, Blower Fan and Belt

REF	PART NO.	DESCRIPTION	COMMENTS
1	510238P	Blower Housing Seal	
2	31260	Screw	
3	511969WP	Blower Housing	
4	505869P	Motor and Pulley Assembly	240 Volt/60 Hertz; Includes items 5 and 8; Models HTGBXFSP542DW01, NTEX77*N5400, STEBXFSP542NW01, STEX77*N5400, STEX77*N5754, STEY77*N5754 and STGBXFSP542DW01
	505843P	Motor and Pulley Assembly	240 Volt/50 Hertz; Includes items 5 and 8; Models BTEBLFSP431AW01, BTEBLFSP432AW01, BTEBXFSP432AW01, BTEL75*N4065, BTEL77*N4065, BTEX75*N4065, BTEX77*N4065, BTEX77*N4350, BTGBLFSP301AW01, BTGBLFSP302AW01, BTGBXFSP302AW01, BTGX79*N3060, NTEBXFSP302NW01, NTEBXFSP302NW22, NTEL77*N4064, NTEX77*N3000, NTEX77*N4064, NTEX77*N4067, NTGBXFSP302NW01, NTGL79*N4067, NTGX79*N3000, NTGX79*N4067, STEA77*N3069, STEBXFSP301NW22, STEBXFSP302NW01, STEBXFSP302NW22, STEBXFSP432AW01, STEF77*N4350, STEX77*N3000, STEX77*N4064, STEX77*N4350, STEX77*N4351, STEY77*N4064, STGBXFSP301NW22, STGBXFSP302AW01, STGBXFSP302NW01, STGBXFSP302NW22, STGX79*N3000, STGX79*N3060 and STGX79*N3061
	511629P	Motor and Pulley Assembly	120 Volt/60 Hertz; Includes items 5, 8 and 9; All other models
5	N/A	Motor Switch Kit	Does not include thermal protector
6	510180	Motor Mount Clamp	
7	511255P	Cylinder Belt	
8	500011	Motor Pulley	60 Hertz
	500222	Motor Pulley	50 Hertz
9	590P3	Motor Hub Ring Kit	
10	503688	Screw	
11	510139P	Blower Fan Assembly	
12	510185	Idler Spring	
13	56156	Nut	
14	510133	Idler Lever	
15	56461P	Shaft	
16	52549	Washer	
17	510142P	Idler Wheel and Bearing Assembly	
18	23748	Retaining Ring	
19	500824	Screw	
20	510158	Idler Lever and Wheel Assembly	Includes items 13-18
21	52566	Nut	
22	510060	Motor Mount	

* Add Letter To Designate Color. Q - Bisque W - White

N/A = Part no longer available

Blower and Fan Kit



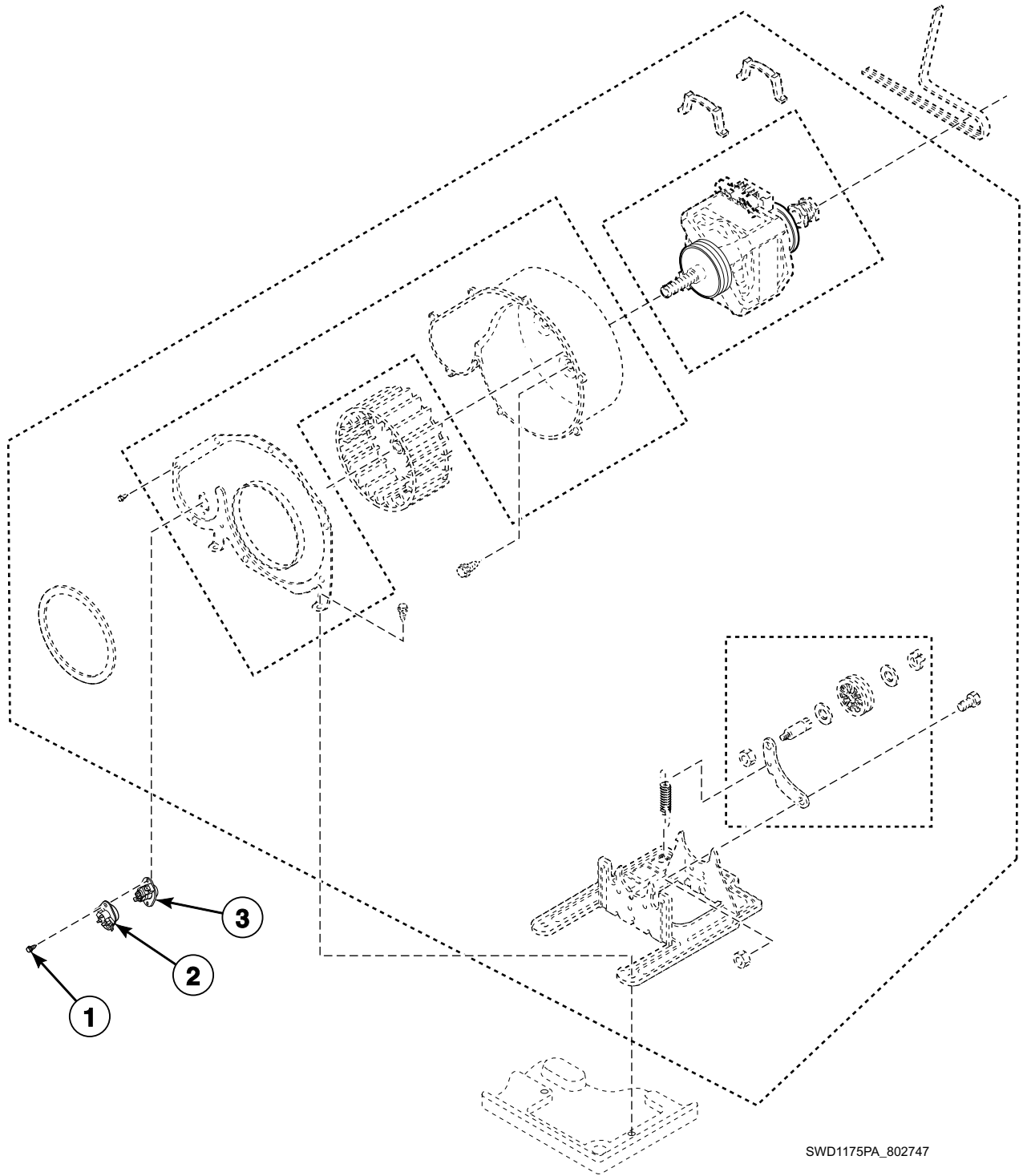
SWD1175PB_802747

Blower and Fan Kit

REF	PART NO.	DESCRIPTION	COMMENTS
1	510717P	Blower and Fan Kit	120 Volt/60 Hertz; Includes items 1-6 and 8-22 shown in <i>Dryer Motor, Blower Fan and Belt</i> ; Models BTEBCFSP171TW01, BTEBCFSP172TW01, BTEBEFSP171TW01, BTEBEFSP281CW01, BTEBEFSP282CW01, BTEBXFSP172FW01, BTEBYFSP172TW01, BTEX77*N1727, BTGBCFSP111TW01, BTGBCFSP112TW01, BTGBEFSP091CW01, BTGBEFSP111TW01, BTGBXFSP112FW01, BTGBYFSP112TW01, BTGX79*N1127, HTEB77*N2802, HTEBCFSP172TW01, HTEBDFSP282CW01, HTEBXFSP172FW28, HTEBXFSP282CW01, HTEBXFSP292CW01, HTEBYFSP282CW01, HTET77*N, HTET77*N2802, HTEX77*N2802, HTEX77*N2902, HTEY77*N, HTEY77*N2802, HTGB79*N0902, HTGBCFSP112TW01, HTGBDFSP092CW01, HTGBXFSP112FW28, HTGBXFSP122DW01, HTGBYFSP092CW01, HTGBYFSP112TW01, HTGT79*N, HTGT79*N0902, HTGX79*N0902, HTGY79*N, HTGY79*N0902, STEA77*N, STEB77*N, STEBCFSP172TQ01, STEBCFSP172TW01, STEBXFSP172TQ01, STEBXFSP172TW01, STEBYFSP172TW01, STEF77*N, STET77*N, STEX77*N, STEX77*N2827, STEY77*N, STGA73*N, STGA79*N, STGB79*N, STGBCFSP112TW01, STGBXFSP112TW01, STGBXFSP122DW01, STGBYFSP112TW01, STGF79*N, STGT79*N, STGX73*N, STGX79*N and STGY79*N

* Add Letter To Designate Color. Q - Bisque W - White

Thermistor and Thermostat



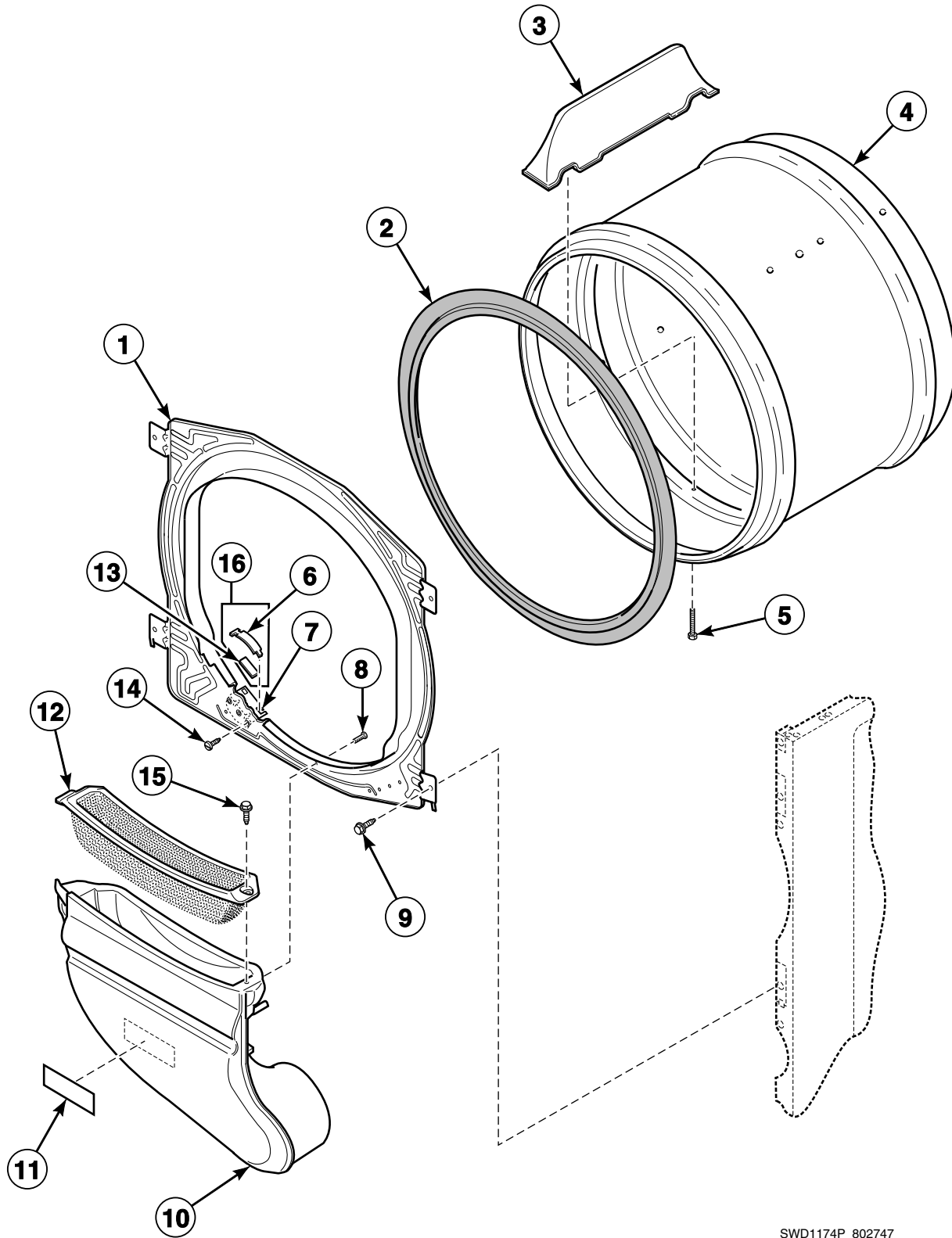
SWD1175PA_802747

Thermistor and Thermostat

REF	PART NO.	DESCRIPTION	COMMENTS
1	23222	Screw	
2	502366	Thermistor Assembly	Models BTEBLFSP431AW01, BTEBLFSP432AW01, BTEBXFSP432AW01, BTEL75*N4065, BTEL77*N4065, BTEX75*N4065, BTEX77*N4065, BTEX77*N4350, BTGBLFSP301AW01, BTGBLFSP302AW01, BTGBXFSP302AW01, BTGX79*N3060, NTEBXFSP302NW01, NTEBXFSP302NW22, NTEL77*N4064, NTEX77*N3000, NTEX77*N4064, NTEX77*N4067, NTEX77*N5400, NTGBXFSP302NW01, NTGL79*N4067, NTGX79*N3000, NTGX79*N4067, STEA77*N3069, STEBXFSP301NW22, STEBXFSP302NW01, STEBXFSP302NW22, STEBXFSP432AW01, STEBXFSP542NW01, STEF77*N4350, STEX77*N3000, STEX77*N4064, STEX77*N4350, STEX77*N4351, STEX77*N5400, STEX77*N5754, STEY77*N4064, STEY77*N5754, STGBXFSP301NW22, STGBXFSP302AW01, STGBXFSP302NW01, STGBXFSP302NW22, STGX79*N3000, STGX79*N3060 and STGX79*N3061
	510523	Thermistor Assembly	All other models
3	M411941	Manual Reset Thermostat	Models BTGBLFSP301AW01, BTGBLFSP302AW01, BTGBXFSP302AW01, BTGX79*N3060, STGBXFSP302AW01, STGX79*N3060 and STGX79*N3061
	510703	Thermostat	Manual reset; Models HTGBXFSP542DW01 and STGBXFSP542DW01

* Add Letter To Designate Color. Q - Bisque W - White

Front Bulkhead, Air Duct, Felt Seal and Cylinder

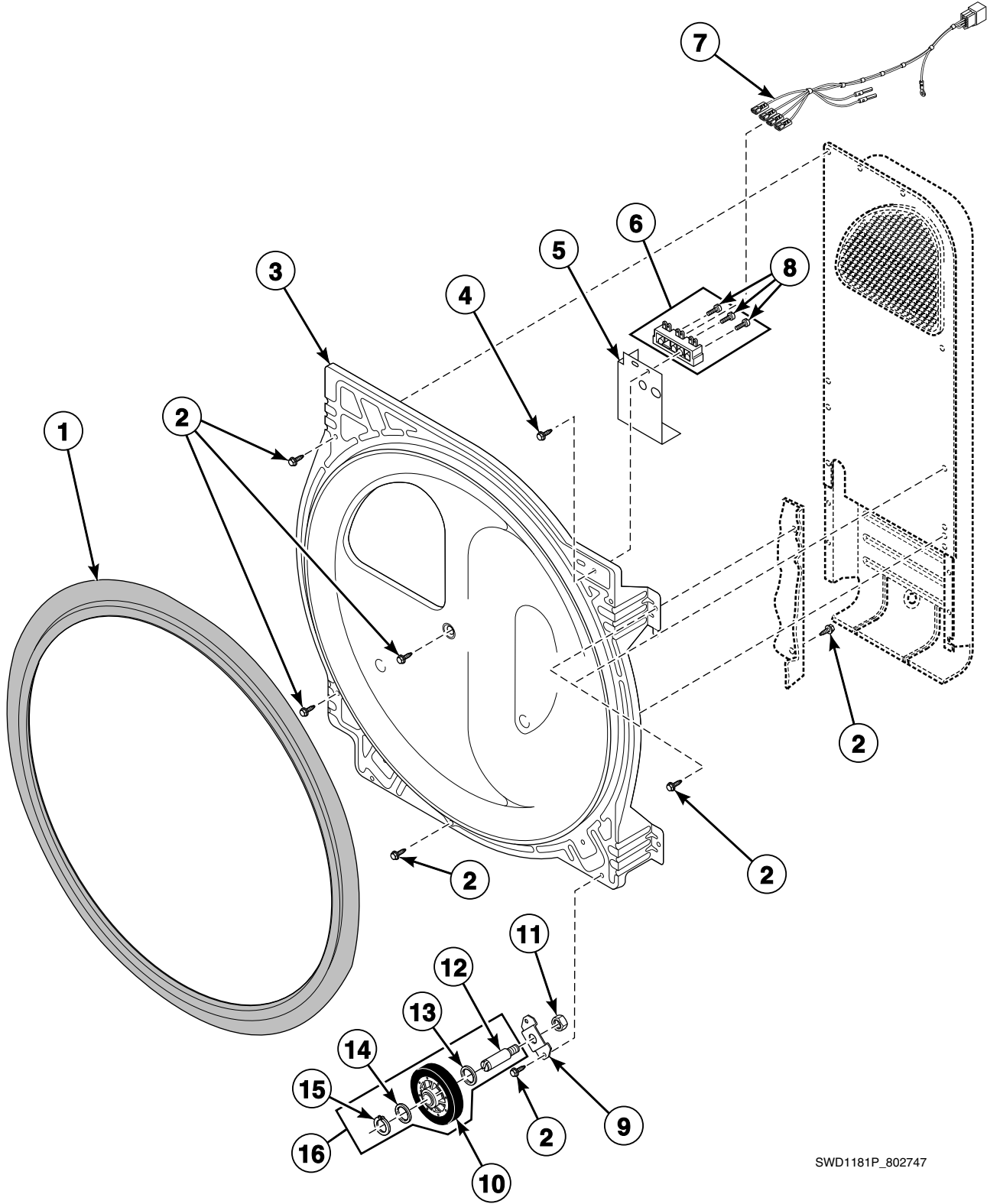


SWD1174P_802747

Front Bulkhead, Air Duct, Felt Seal and Cylinder

REF	PART NO.	DESCRIPTION	COMMENTS
1	510266P	Front Bulkhead Assembly	Unpainted; Includes item 2
2	510207P	Cylinder Seal Assembly	
	511637P	Adhesive	For cylinder seal
	RB170001	Seal Kit	Includes 2 cylinder seals, 510238P Blower Housing Seal and 511637P Adhesive
3	510102W	Cylinder Baffle	Models BTEBCFSP172TW01, BTEBEFSP282CW01, HTEBCFSP172TW01, HTEBDFSP282CW01, HTEBXFSP172FW28, HTEBXFSP282CW01, HTEBXFSP292CW01, HTEBYFSP282CW01, STEBCFSP172TQ01, STEBCFSP172TW01, STEBXFSP172TQ01, STEBXFSP172TW01 and STEBYFSP172TW01 through Serial No. 1303025314; All other models
	510102LG	Cylinder Baffle	Models BTEBCFSP172TW01, BTEBEFSP282CW01, HTEBCFSP172TW01, HTEBDFSP282CW01, HTEBXFSP172FW28, HTEBXFSP282CW01, HTEBXFSP292CW01, HTEBYFSP282CW01, STEBCFSP172TQ01, STEBCFSP172TW01, STEBXFSP172TQ01, STEBXFSP172TW01 and STEBYFSP172TW01 starting Serial No. 1303025315
4	510265WP	Cylinder Assembly	Galvanized; Includes item 3; Models BTEBCFSP172TW01, BTEBEFSP282CW01, HTEBCFSP172TW01, HTEBDFSP282CW01, HTEBXFSP172FW28, HTEBXFSP282CW01, HTEBXFSP292CW01, HTEBYFSP282CW01, STEBCFSP172TQ01, STEBCFSP172TW01, STEBXFSP172TQ01, STEBXFSP172TW01 and STEBYFSP172TW01 through Serial No. 1303025314; All other models
	510265LGP	Cylinder Assembly	Galvanized; Includes item 3; Models BTEBCFSP172TW01, BTEBEFSP282CW01, HTEBCFSP172TW01, HTEBDFSP282CW01, HTEBXFSP172FW28, HTEBXFSP282CW01, HTEBXFSP292CW01, HTEBYFSP282CW01, STEBCFSP172TQ01, STEBCFSP172TW01, STEBXFSP172TQ01, STEBXFSP172TW01 and STEBYFSP172TW01 starting Serial No. 1303025315
5	62588	Screw	
6	510188	Cylinder Glide	
7	510145	Cylinder Glide Bracket	
8	52864	Screw	
9	503688	Screw	
10	510151W	Air Duct Assembly	Models BTEBCFSP172TW01, BTEBEFSP282CW01, HTEBCFSP172TW01, HTEBDFSP282CW01, HTEBXFSP172FW28, HTEBXFSP282CW01, HTEBXFSP292CW01, HTEBYFSP282CW01, STEBCFSP172TQ01, STEBCFSP172TW01, STEBXFSP172TQ01, STEBXFSP172TW01 and STEBYFSP172TW01 through Serial No. 1303025314; All other models
	510151LG	Air Duct Assembly	Models BTEBCFSP172TW01, BTEBEFSP282CW01, HTEBCFSP172TW01, HTEBDFSP282CW01, HTEBXFSP172FW28, HTEBXFSP282CW01, HTEBXFSP292CW01, HTEBYFSP282CW01, STEBCFSP172TQ01, STEBCFSP172TW01, STEBXFSP172TQ01, STEBXFSP172TW01 and STEBYFSP172TW01 starting Serial No. 1303025315
11	61294	Fuse Notice Label	Electric models
12	503980W	Lint Filter	Models BTEBCFSP172TW01, BTEBEFSP282CW01, HTEBCFSP172TW01, HTEBDFSP282CW01, HTEBXFSP172FW28, HTEBXFSP282CW01, HTEBXFSP292CW01, HTEBYFSP282CW01, STEBCFSP172TQ01, STEBCFSP172TW01, STEBXFSP172TQ01, STEBXFSP172TW01 and STEBYFSP172TW01 through Serial No. 1303025314; All other models
	503980LG	Lint Filter	Models BTEBCFSP172TW01, BTEBEFSP282CW01, HTEBCFSP172TW01, HTEBDFSP282CW01, HTEBXFSP172FW28, HTEBXFSP282CW01, HTEBXFSP292CW01, HTEBYFSP282CW01, STEBCFSP172TQ01, STEBCFSP172TW01, STEBXFSP172TQ01, STEBXFSP172TW01 and STEBYFSP172TW01 starting Serial No. 1303025315
13	510189	Felt Pad	
14	505295	Screw	
15	501285	Screw	
16	RB170003	Glide Kit	Includes items 6 and 13

Rear Bulkhead, Felt Seal, Cylinder Roller and Terminal Block



SWD1181P_802747

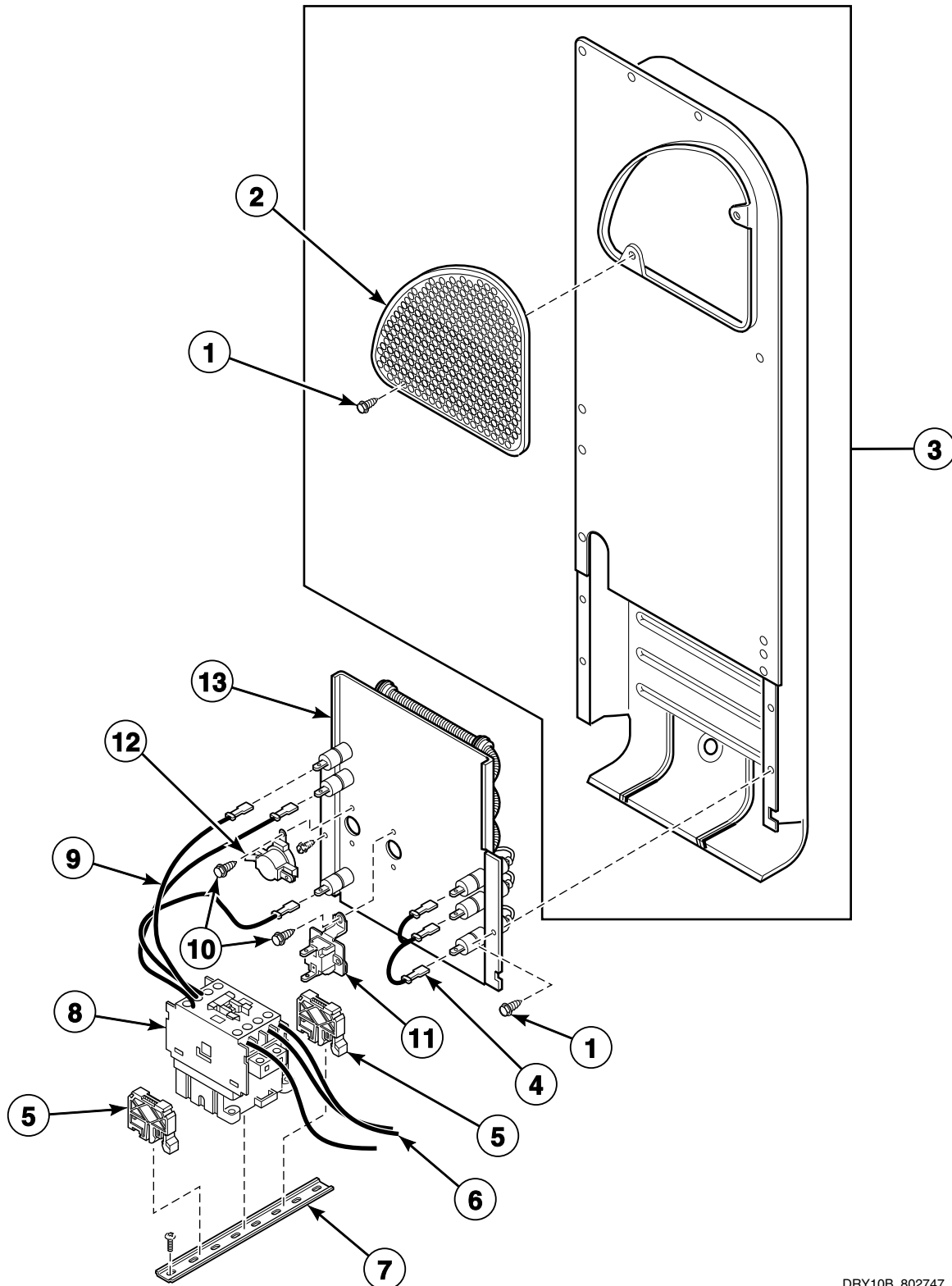
Rear Bulkhead, Felt Seal, Cylinder Roller and Terminal Block

REF	PART NO.	DESCRIPTION	COMMENTS
1	510207P	Cylinder Seal Assembly	
	511637P	Adhesive	For cylinder seal
	RB170001	Seal Kit	Includes 2 cylinder seals, 510238P Blower Housing Seal and 511637P Adhesive
2	503688	Screw	
3	511082P	Rear Bulkhead Assembly	Galvanized; Includes item 1
4	501285	Screw	Electric models
5	505875	Terminal Block Support Bracket	Models BTEL75*N4065, BTEL77*N4065, BTEX75*N4065, BTEX77*N4065, NTEL77*N4064, NTEX77*N4064, STEX77*N4064 and STEY77*N4064
	510237	Terminal Block Shield	All other electric models
6	505876	Terminal Block Assembly	Models BTEL75*N4065, BTEL77*N4065, BTEX75*N4065, BTEX77*N4065, NTEL77*N4064, NTEX77*N4064, STEX77*N4064 and STEY77*N4064
	510190P	Terminal Block Assembly	Includes (3) of item 8; Models BTEBCFSP171TW01, BTEBCFSP172TW01, BTEBEFSP171TW01, BTEBEFSP281CW01, BTEBEFSP282CW01, BTEBLFSP431AW01, BTEBLFSP432AW01, BTEBXFSP432AW01, BTEBYFSP172TW01, BTEX77*N4350, BTGBEFSP091CW01, BTGBLFSP301AW01, BTGBLFSP302AW01, BTGBXFSP302AW01, BTGX79*N3060, HTEB77*N2802, HTEBCFSP172TW01, HTEBDFSP282CW01, HTEBXFSP132DW01, HTEBXFSP172FW28, HTEBXFSP282CW01, HTEBXFSP292CW01, HTEBXFSP542DW01, HTEBYFSP282CW01, HTET77*N, HTET77*N2802, HTEX77*N2802, HTEX77*N2902, HTEY77*N, HTEY77*N2802, HTGB79*N0902, HTGBDFSP092CW01, HTGBXFSP542DW01, HTGBYFSP092CW01, HTGT79*N0902, HTGX79*N0902, HTGY79*N0902, NTEBXFSP302NW01, NTEBXFSP302NW22, NTEX77*N3000, NTEX77*N4067, NTEX77*N5400, NTGBXFSP302NW01, NTGL79*N4067, NTGX79*N3000, NTGX79*N4067, STEA77*N, STEB77*N, STEBCFSP172TQ01, STEBCFSP172TW01, STEBXFSP132DW01, STEBXFSP172TQ01, STEBXFSP172TW01, STEBXFSP301NW22, STEBXFSP302NW01, STEBXFSP302NW22, STEBXFSP432AW01, STEBXFSP542DW01, STEBXFSP542NW01, STEBYFSP172TW01, STEF77*N, STEF77*N4350, STET77*N, STEX77*N, STEX77*N3000, STEX77*N4350, STEX77*N4351, STEX77*N5400, STEX77*N5754, STEY77*N, STEY77*N5754, STGBXFSP301NW22, STGBXFSP302AW01, STGBXFSP302NW01, STGBXFSP302NW22, STGBXFSP542DW01, STGX79*N3000, STGX79*N3060 and STGX79*N3061
7	510622	Wire Harness Assembly	Power to washer; Models HTEB77*N2802, HTEBDFSP282CW01, HTEBXFSP282CW01, HTEBXFSP292CW01, HTEBYFSP282CW01, HTET77*N2802, HTEX77*N2802, HTEX77*N2902 and HTEY77*N2802; Models through Serial Nos. beginning 0904
	510621P	Wire Harness Assembly	Power to washer; Models HTGB79*N0902, HTGBDFSP092CW01, HTGBYFSP092CW01, HTGT79*N0902, HTGX79*N0902 and HTGY79*N0902; Models through Serial Nos. beginning 0904
	803150P	Power Harness Assembly	Power to washer; Models BTEBEFSP281CW01, BTEBEFSP282CW01, BTGBEFSP091CW01, HTEBDFSP282CW01, HTEBXFSP282CW01, HTEBXFSP292CW01, HTEBYFSP282CW01, HTET77*N2802, HTEX77*N2802, HTEX77*N2902, HTEY77*N2802, HTGBDFSP092CW01, HTGBYFSP092CW01, HTGT79*N0902, HTGX79*N0902 and HTGY79*N0902; Models starting Serial Nos. beginning 0904
8	61199	Screw	
9	510100	Cylinder Roller Bracket	
10	510708P	Cylinder Roller	
11	56156	Nut	
12	56461P	Shaft	
13	504082	Washer	
14	52549	Washer	
15	23748	Retaining Ring	
16	RB170002	Roller Kit	Includes items 10 and 12-15

* Add Letter To Designate Color. Q - Bisque W - White

Heater Duct and Element Assembly (Drawing 1 of 2)

Models BTEL75*N4065, BTEL77*N4065, BTEX75*N4065, BTEX77*N4065, NTEL77*N4064,
NTEX77*N4064, STEX77*N4064 and STEY77*N4064



DRY10B_802747

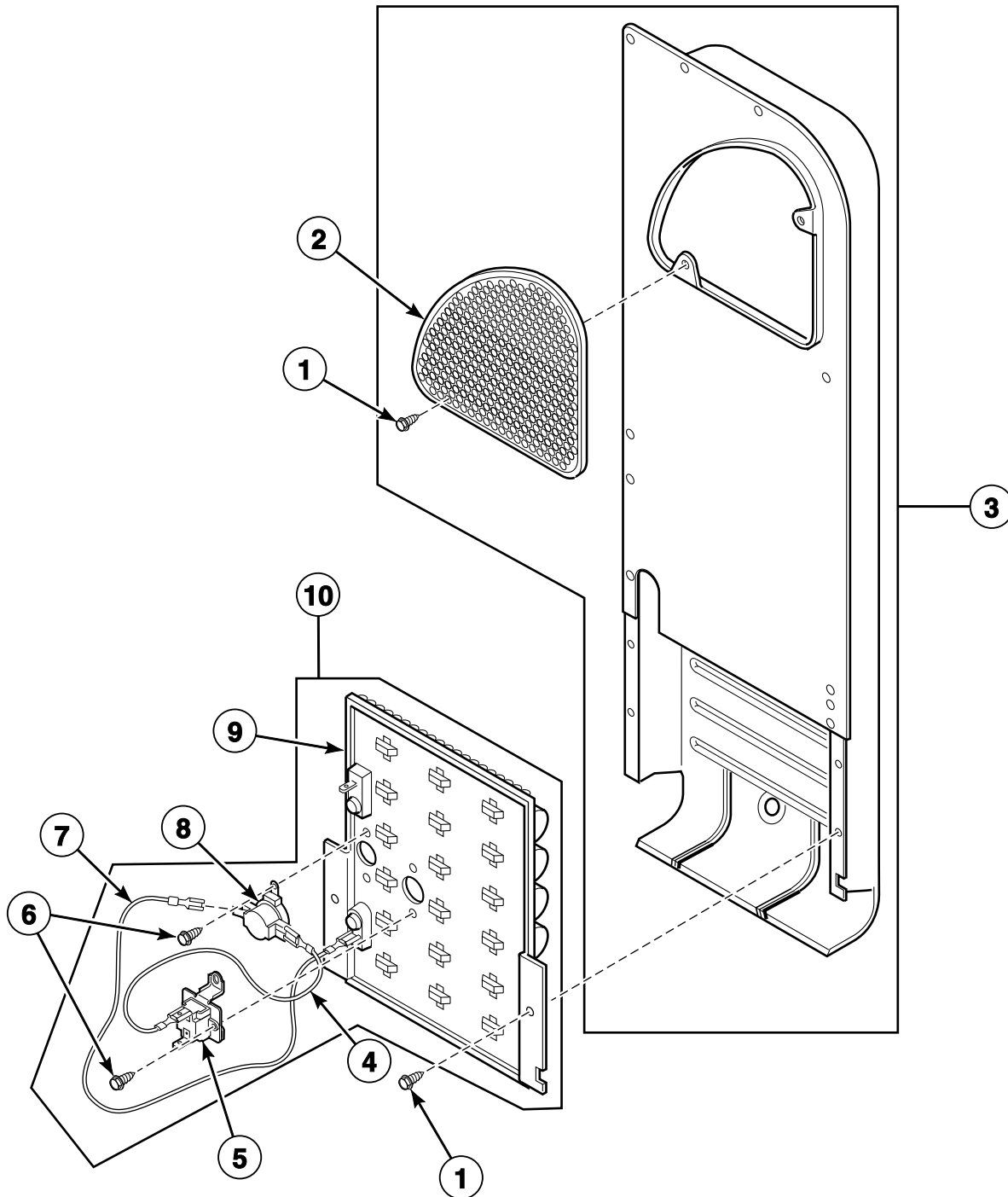
Heater Duct and Element Assembly (Drawing 1 of 2)

REF	PART NO.	DESCRIPTION	COMMENTS
	756P3	Conversion Kit	400 Volt, 4 wire WYE to 240 Volt, 3 wire Delta
1	503688	Screw	
2	500820	Outlet Cover	
3	510025P	Heater Duct and Screw Assembly	Includes items 1 and 2
4	511270	Jumper Wire Assembly	3 Phase
5	70121001	End Stop	
6	511112P	Block to Relay Harness	Terminal block to contactor
7	M412693	Din Rail	
8	F330177P	Contactor	
9	511114P	Relay to Heater Harness	Contactor to heater
10	23222	Screw	
11	511412	Thermal Fuse Assembly	
12	510701	Limit Thermostat	
13	511014P	Heater	400 Volt/3 Phase

* Add Letter To Designate Color. Q - Bisque W - White

Heater Duct and Element Assembly (Drawing 2 of 2)

All Electric Model Dryers Except BTEL75*N4065, BTEL77*N4065, BTEX75*N4065, BTEX77*N4065, NTEL77*N4064, NTEX77*N4064, STEX77*N4064 and STEY77*N4064



DRY1789P_802747

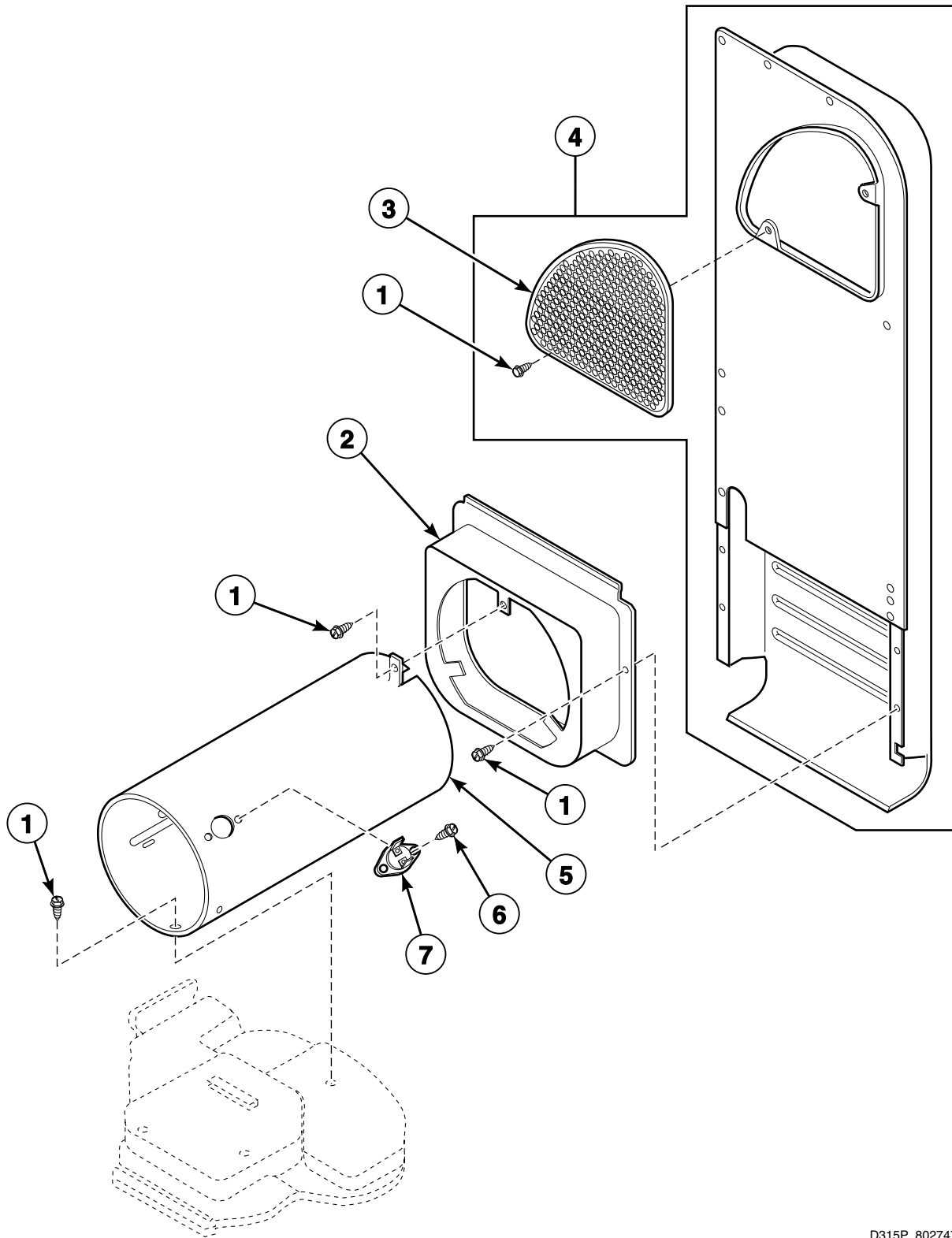
Heater Duct and Element Assembly (Drawing 2 of 2)

REF	PART NO.	DESCRIPTION	COMMENTS
1	503688	Screw	
2	500820	Outlet Cover	
3	510025P	Heater Duct and Screw Assembly	Includes item 2
4	510528	Wire Assembly	Orange; Thermostat jumper
5	511412	Thermal Fuse Assembly	
6	23222	Screw	
7	510527	Wire Assembly	Black; Fuse jumper
8	510701	Limit Thermostat	
9	510326P	Heater Assembly	Models NTEBXFSP302NW01, NTEBXFSP302NW22, NTEX77*N3000, NTEX77*N4067, STEA77*N3069, STEBXFSP301NW22, STEBXFSP302NW01, STEBXFSP302NW22 and STEX77*N3000; 4800 Watt; 240 Volt/50 Hertz
	510324P	Heater Assembly	Models BTEBEFSP281CW01, BTEBEFSP282CW01, HTEB77*N2802, HTEBDFSP282CW01, HTEBXFSP282CW01, HTEBYFSP282CW01, HTET77*N2802, HTEX77*N2802, HTEY77*N2802, NTEX77*N5400, STEBXFSP542NW01, STEX77*N5400, STEX77*N5754 and STEY77*N5754; 5000 Watt; 240 Volt/60 Hertz
	510327P	Heater Assembly	Models BTEBLFSP431AW01, BTEBLFSP432AW01, BTEBXFSP432AW01, BTEX77*N4350, STEBXFSP432AW01, STEF77*N4350, STEX77*N4350 and STEX77*N4351; 4000 Watt; 240 Volt/50 Hertz
	510330P	Heater Assembly	Models HTEBXFSP292CW01 and HTEX77*N2902; 4250 Watt; 208 Volt/60 Hertz
	510329P	Heater Assembly	Models BTEBCFSP171TW01, BTEBCFSP172TW01, BTEBEFSP171TW01, BTEBXFSP172FW01, BTEX77*N1727, HTEBCFSP172TW01, HTEBXFSP132DW01, HTEBXFSP172FW28, HTEBXFSP542DW01, HTET77*N, HTEY77*N, STEA77*N, STEB77*N, STEBCFSP172TQ01, STEBCFSP172TW01, STEBXFSP132DW01, STEBXFSP172TQ01, STEBXFSP172TW01, STEBXFSP542DW01, STEBYFSP172TW01, STEF77*N, STET77*N, STEX77*N, STEX77*N2827 and STEY77*N; 5350 Watt; 240 Volt/60 Hertz
10	61928	Heater Kit Assembly	Includes items 4-9; Models BTEBCFSP171TW01, BTEBCFSP172TW01, BTEBEFSP171TW01, BTEBXFSP172FW01, BTEX77*N1727, HTEBCFSP172TW01, HTEBXFSP172FW28, HTET77*N, HTEY77*N, STEA77*N, STEB77*N, STEBCFSP172TQ01, STEBCFSP172TW01, STEBXFSP172TQ01, STEBXFSP172TW01, STEBYFSP172TW01, STEF77*N, STET77*N, STEX77*N, STEX77*N2827 and STEY77*N; 4750 Watt; 208 Volt/60 Hertz
	61929	Heater Kit Assembly	Includes items 4-9; Models HTEBXFSP132DW01, NTEBXFSP302NW01, NTEBXFSP302NW22, NTEX77*N3000, NTEX77*N4067, STEA77*N3069, STEBXFSP132DW01, STEBXFSP301NW22, STEBXFSP302NW01, STEBXFSP302NW22 and STEX77*N3000; 4800 Watt; 240 Volt/50 Hertz
	61927	Heater Kit Assembly	Includes items 4-9; Models BTEBEFSP281CW01, BTEBEFSP282CW01, HTEB77*N2802, HTEBDFSP282CW01, HTEBXFSP282CW01, HTEBXFSP542DW01, HTEBYFSP282CW01, HTET77*N2802, HTEX77*N2802, HTEY77*N2802, NTEX77*N5400, STEBXFSP542DW01, STEBXFSP542NW01, STEX77*N5400, STEX77*N5754 and STEY77*N5754; 5000 Watt; 240 Volt/60 Hertz
	61930	Heater Kit Assembly	Includes items 4-9; Models BTEBLFSP431AW01, BTEBLFSP432AW01, BTEBXFSP432AW01, BTEX77*N4350, STEBXFSP432AW01, STEF77*N4350, STEX77*N4350 and STEX77*N4351; 4000 Watt; 240 Volt/50 Hertz
	965P3	Heater Kit	Includes items 4-9; Models HTEBXFSP292CW01 and HTEX77*N2902; 4250 Watt; 208 Volt/60 Hertz
	964P3	Heater Kit	Includes items 4-9; Models BTEBCFSP171TW01, BTEBCFSP172TW01, BTEBEFSP171TW01, BTEBXFSP172FW01, BTEX77*N1727, HTEBCFSP172TW01, HTEBXFSP172FW28, HTET77*N, HTEY77*N, STEA77*N, STEB77*N, STEBCFSP172TQ01, STEBCFSP172TW01, STEBXFSP172TQ01, STEBXFSP172TW01, STEBYFSP172TW01, STEF77*N, STET77*N, STEX77*N, STEX77*N2827 and STEY77*N; 5350 Watt; 240 Volt/60 Hertz

* Add Letter To Designate Color. Q - Bisque W - White

Heater Duct Assembly

Gas Model Dryers



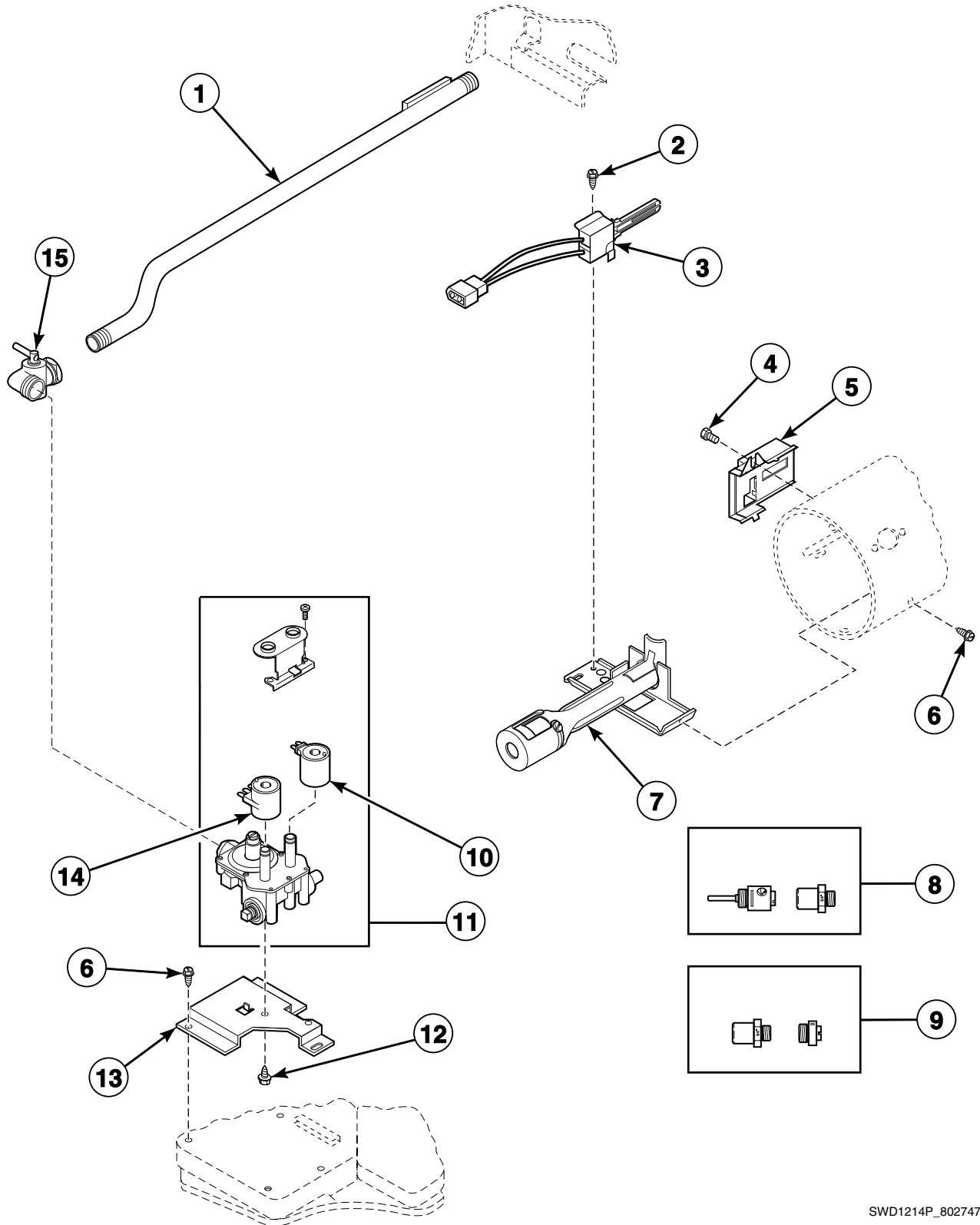
D315P_802747

Heater Duct Assembly

REF	PART NO.	DESCRIPTION	COMMENTS
1	503688	Screw	
2	510101	Heat Duct Shroud	
3	500820	Outlet Cover	
4	510025P	Heater Duct and Screw Assembly	Includes items 1 and 3
5	510131	Combustion Duct	
6	51782	Screw	
7	510702	Limit Thermostat	Color code "black"

Gas Valve, Igniter and Gas Conversion Kits

Gas Model Dryers



SWD1214P_802747

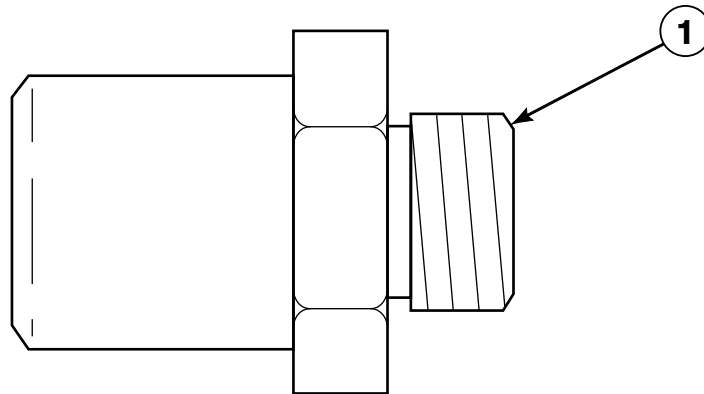
Gas Valve, Igniter and Gas Conversion Kits

REF	PART NO.	DESCRIPTION	COMMENTS
1	510204	Lead-In Pipe Assembly	
2	51782	Screw	
3	510184P	Igniter and Bracket Assembly	
4	23222	Screw	
5	510213	Sensor	
6	503688	Screw	
7	510149P	Burner Assembly	
8	600P3	L.P. Conversion Kit	Models NTGL79*N4067 and NTGX79*N4067; Used to convert dryer from Natural Gas (N.G.) or Mixed Gas to Liquid Petroleum Gas (L.P.); 25,000 Btu
	458P3	L.P. Conversion Kit	All other models; Used to convert dryers from N.G. or Mixed Gas to L.P.; 25,000 Btu
9	459P3	N.G. Conversion Kit	Used to convert dryers from L.P. to N.G. or Mixed Gas; 25,000 Btu
10	58804B	Secondary Coil	
11	60443P	Valve Assembly	50 Hertz; 25,000 Btu; Models BTGBLFSP301AW01, BTGBLFSP302AW01, BTGBXFSP302AW01, BTGX79*N3060, NTGBXFSP302NW01, NTGL79*N4067, NTGX79*N3000, NTGX79*N4067, STGBXFSP301NW22, STGBXFSP302AW01, STGBXFSP302NW01, STGBXFSP302NW22, STGX79*N3000, STGX79*N3060 and STGX79*N3061
	510506P	Gas Valve Assembly	Models HTGBXFSP122DW01, HTGBXFSP542DW01, STGBXFSP122DW01 and STGBXFSP542DW01
	60353P	Gas Valve Assembly	60 Hertz; 25,000 Btu; All other models
12	56124	Screw	
13	510128	Gas Valve Mounting Bracket	
14	58804A	Booster and Holding Coil	
15	510205	Elbow Shut-Off Valve	

* Add Letter To Designate Color. Q - Bisque W - White

Burner Orifice Spuds - For Higher Elevations

Gas Model Dryers

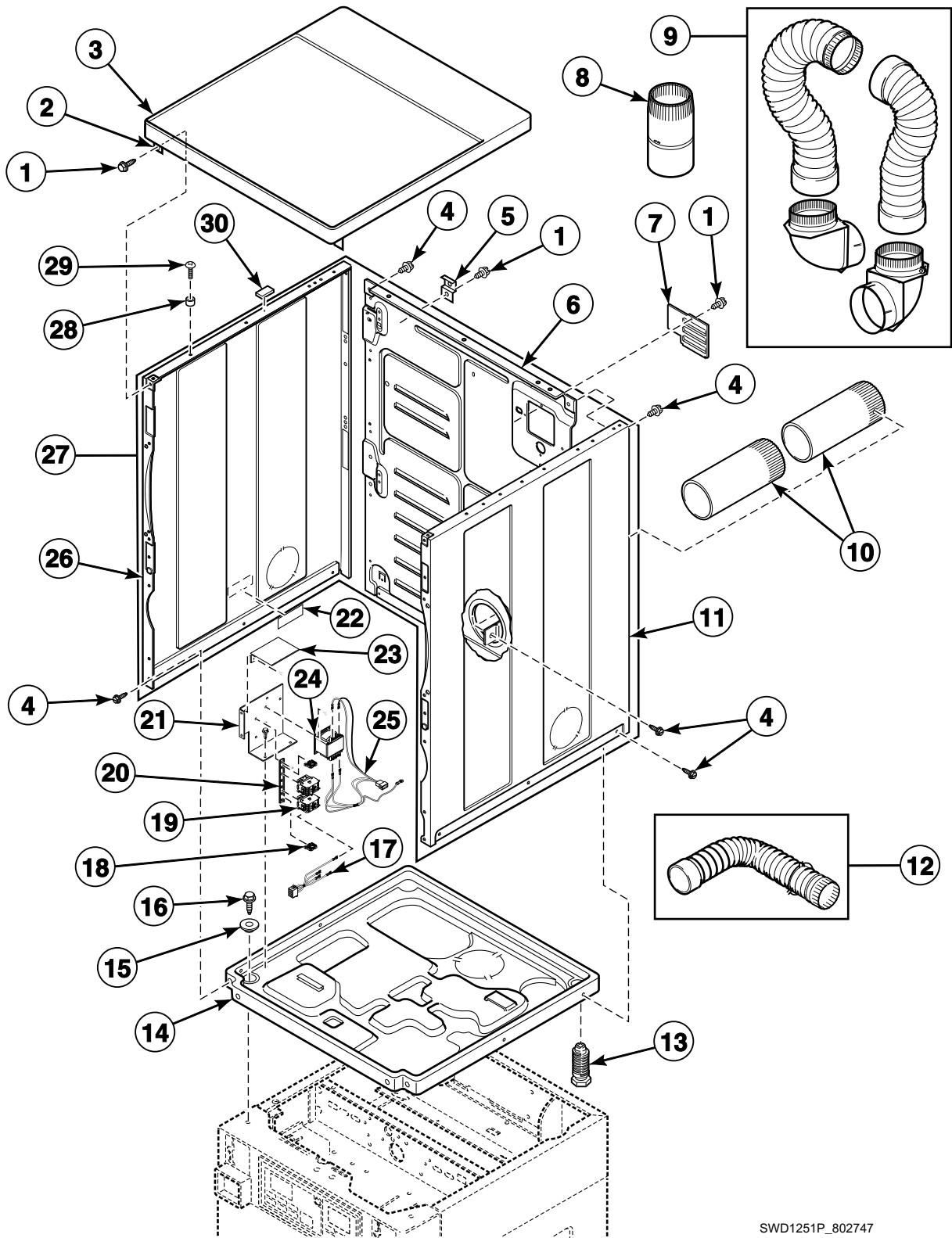


DRY2266P_802747

Burner Orifice Spuds - For Higher Elevations

REF	PART NO.	DESCRIPTION	COMMENTS
1	58755	L.P. Orifice	25,000 Btu; 7500-10,999 feet (2290-3354 m)
	503786	L.P. Orifice	25,000 Btu; 11,000 feet (3355 m) and higher
	58719	Screw Orifice	Natural Gas (N.G.); 25,000 Btu; 7000-8999 feet (2135-2744 m)
	503776	N.G. Orifice	25,000 Btu; 2000-2999 feet (610-914 m)
	510517	N.G. Orifice	25,000 Btu; 3000-5499 feet (915-1679 m)
	503778	N.G. Orifice	25,000 Btu; 5500-6999 feet (1680-2134 m)
	503779	N.G. Orifice	25,000 Btu; 9000-10,499 feet (2745-3199 m)
	503780	N.G. Orifice	25,000 Btu; 10,500 feet (3200 m) and higher

Dryer Cabinet, Exhaust Duct and Base



SWD1251P_802747

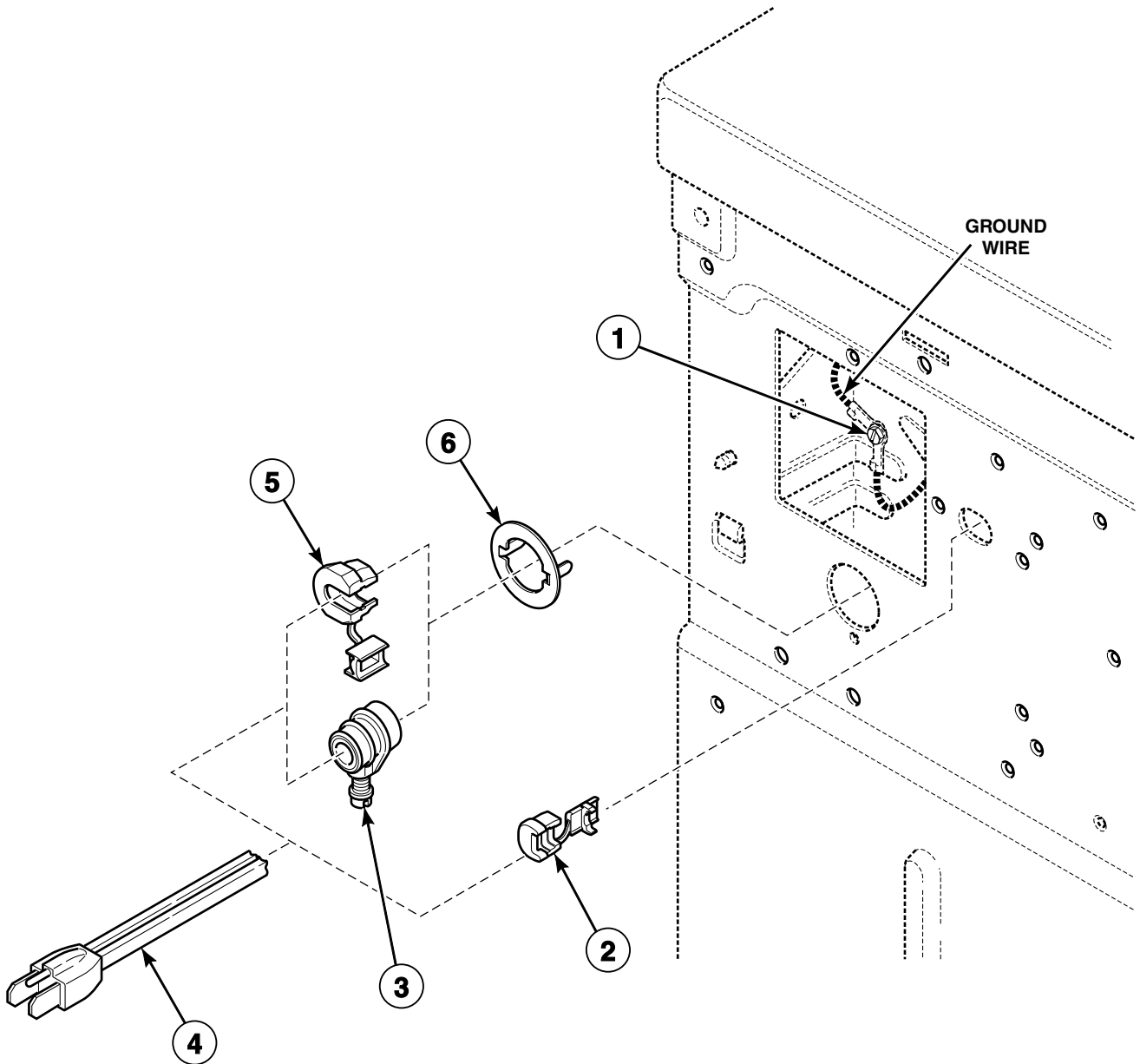
Dryer Cabinet, Exhaust Duct and Base

REF	PART NO.	DESCRIPTION	COMMENTS
1	503661	Screw	
2	510146	Bracket	
3	510032WP	Top Kit	White
	510032QP	Top Kit	Bisque
4	503688	Screw	
5	510136	Top Hinge	
6	510005P	Cabinet Rear Panel	
7	510903	Access Panel Plate	
8	58786	Damper	
9	521P3	Flexible Venting Kit	
10	510137	Exhaust Duct	Each dryer requires 2 pieces
11	510002WP	Cabinet Side Panel	White; Right side
	510002QP	Cabinet Side Panel	Bisque; Right side
12	528P3	Directional Exhaust Kit	Used to vent dryer out the sides
13	510135	Leveling Leg	
14	513901	Dryer Base	
15	501307	Washer	
16	36048	Screw	
17	511327	Harness Assembly	Models NTGL79*N4067 and NTGX79*N4067
18	70121001	End Stop	Models NTGL79*N4067 and NTGX79*N4067
19	70323701P	Contactora	Models NTGL79*N4067 and NTGX79*N4067
20	M412693	Din Rail	Models NTGL79*N4067 and NTGX79*N4067
21	511859	Contactora Bracket	Models BTGBLFSP301AW01, BTGBLFSP302AW01, BTGBXFSP302AW01, BTGX79*N3060, HTGBXFSP542DW01, NTGBXFSP302NW01, NTGL79*N4067, NTGX79*N3000, NTGX79*N4067, STGBXFSP301NW22, STGBXFSP302AW01, STGBXFSP302NW01, STGBXFSP302NW22, STGBXFSP542DW01, STGX79*N3000, STGX79*N3060 and STGX79*N3061
22	61294	Fuse Notice Label	Electric models
23	801101	Card Reader Shield	Models NTGL79*N4067 and NTGX79*N4067
24	511658P	Transformer Kit	Includes item 23; Models BTGBLFSP301AW01, BTGBLFSP302AW01, BTGBXFSP302AW01, BTGX79*N3060, HTGBXFSP542DW01, NTGBXFSP302NW01, NTGL79*N4067, NTGX79*N3000, NTGX79*N4067, STGBXFSP301NW22, STGBXFSP302AW01, STGBXFSP302NW01, STGBXFSP302NW22, STGBXFSP542DW01, STGX79*N3000, STGX79*N3060 and STGX79*N3061
25	511303	Wire Harness Assembly	Transformer adapter; Includes 502592 Fuse, 3.15 Amp, 250 Volt; Models BTGBLFSP301AW01, BTGBLFSP302AW01, BTGBXFSP302AW01, BTGX79*N3060, HTGBXFSP542DW01, NTGBXFSP302NW01, NTGL79*N4067, NTGX79*N3000, NTGX79*N4067, STGBXFSP301NW22, STGBXFSP302AW01, STGBXFSP302NW01, STGBXFSP302NW22, STGBXFSP542DW01, STGX79*N3000, STGX79*N3060 and STGX79*N3061
26	510001WP	Cabinet Side Panel	White; Left side
	510001QP	Cabinet Side Panel	Bisque; Left side
27	727P3W	Panel Kit	White; Includes items 6, 11, 26 and attaching hardware
	727P3Q	Panel Kit	Bisque; Includes items 6, 11, 26 and attaching hardware
28	56079	Panel Locator	
29	39733	Screw	
30	56128	Bumper Pad	

* Add Letter To Designate Color. Q - Bisque W - White

Dryer Power Cord

Models BTGBCFSP111TW01, BTGBCFSP112TW01, BTGBEFSP091CW01, BTGBEFSP111TW01, BTGBLFSP301AW01, BTGBLFSP302AW01, BTGBXFSP112FW01, BTGBXFSP302AW01, BTGBYFSP112TW01, BTGX79*N1127, BTGX79*N3060, HTGB79*N0902, HTGBCFSP112TW01, HTGBDFSP092CW01, HTGBXFSP112FW28, HTGBXFSP122DW01, HTGBXFSP542DW01, HTGBYFSP092CW01, HTGBYFSP112TW01, HTGT79*N, HTGT79*N0902, HTGX79*N0902, HTGY79*N, HTGY79*N0902, NTEX77*N4067, NTGL79*N4067, NTGX79*N4067, STGA73*N, STGA79*N, STGB79*N, STGBCFSP112TW01, STGBXFSP112TW01, STGBXFSP112TW01, STGBXFSP122DW01, STGBXFSP302AW01, STGBXFSP542DW01, STGBYFSP112TW01, STGF79*N, STGT79*N, STGX73*N, STGX79*N, STGX79*N3060, STGX79*N3061 and STGY79*N



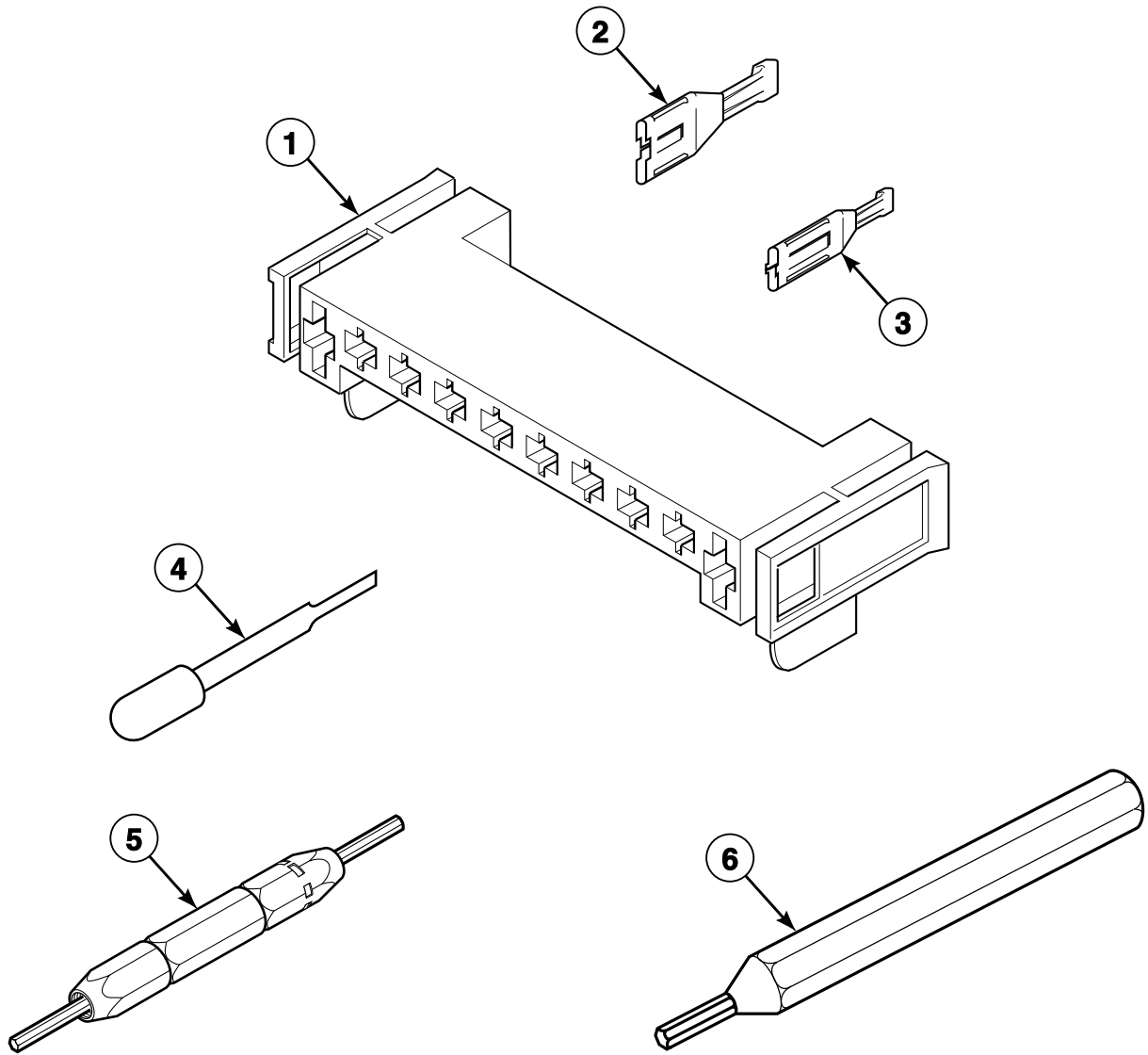
SWD1230P_802747

Dryer Power Cord

REF	PART NO.	DESCRIPTION	COMMENTS
1	20530	Screw	
2	38384	Strain Relief	Models BTGBCFSP111TW01, BTGBCFSP112TW01, BTGBEFSP111TW01, BTGBXFSP112FW01, BTGBYFSP112TW01, BTGX79*N1127, HTGBCFSP112TW01, HTGBXFSP112FW28, HTGBXFSP122DW01, HTGBYFSP112TW01, HTGT79*N, HTGY79*N, STGA73*N, STGA79*N, STGB79*N, STGBCFSP112TW01, STGBXFSP112TW01, STGBXFSP112TW01, STGBXFSP122DW01, STGBYFSP112TW01, STGF79*N, STGT79*N, STGX73*N, STGX79*N and STGY79*N
3	502500	Strain Relief	Models NTGL79*N4067 and NTGX79*N4067
4	506081	Power Cord Assembly	Models NTGL79*N4067 and NTGX79*N4067
	503597	Lead-In Cord Assembly	Model NTEX77*N4067
	512019	Lead-In Cord	Models BTGBLFSP301AW01, BTGBLFSP302AW01, BTGBXFSP302AW01, BTGX79*N3060, STGBXFSP302AW01, STGX79*N3060 and STGX79*N3061
	58992	Power Cord Assembly	Models BTGBEFSP091CW01, HTGB79*N0902, HTGBDFSP092CW01, HTGBYFSP092CW01, HTGT79*N0902, HTGX79*N0902 and HTGY79*N0902
	514222	Lead-In Cord Assembly	Models HTGBXFSP122DW01 and STGBXFSP122DW01
	514289	Lead-In Cord Assembly	Models HTGBXFSP542DW01 and STGBXFSP542DW01
	59308	Lead-In Cord	All other models
5	52113	Strain Relief	Model NTEX77*N4067
	52151	Strain Relief	Models BTGBEFSP091CW01, HTGB79*N0902, HTGBDFSP092CW01, HTGBYFSP092CW01, HTGT79*N0902, HTGX79*N0902 and HTGY79*N0902
	60298	Strain Relief	Models BTGBLFSP301AW01, BTGBLFSP302AW01, BTGBXFSP302AW01, BTGX79*N3060, STGBXFSP302AW01, STGX79*N3060 and STGX79*N3061
6	502496	Strain Relief Adapter	Models BTGBEFSP091CW01, BTGBLFSP301AW01, BTGBLFSP302AW01, BTGBXFSP302AW01, BTGX79*N3060, HTGB79*N0902, HTGBDFSP092CW01, HTGBYFSP092CW01, HTGT79*N0902, HTGX79*N0902, HTGY79*N0902, NTEX77*N4067, NTGL79*N4067, NTGX79*N4067, STGBXFSP302AW01, STGX79*N3060 and STGX79*N3061

* Add Letter To Designate Color. Q - Bisque W - White

Dryer Motor Connection Block, Terminal Extractor Tools

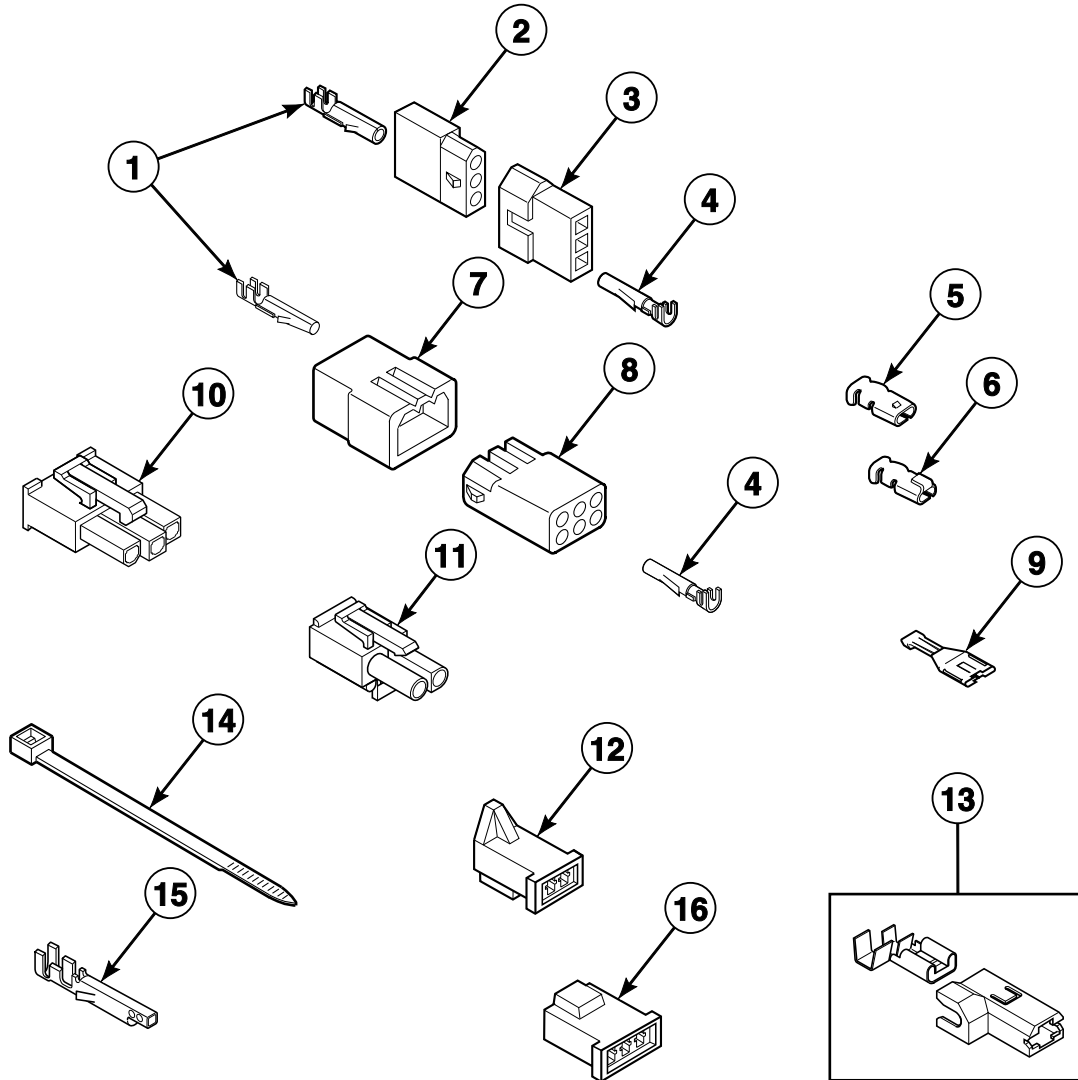


SWD1216P_802747

Dryer Motor Connection Block, Terminal Extractor Tools

REF	PART NO.	DESCRIPTION	COMMENTS
1	500338	10 Position Housing	Molex; 10 circuit
2	00255	Female Terminal	1/4 inch; For (1) 12 gauge wire
	00256	Female Terminal	1/4 inch; For (1) or (2) 18 gauge wires
3	00188	Female Terminal	For 1 or 2 wire applications
4	283P4	Terminal Extractor Tool	For use on Molex connectors
5	190P4	Extractor Tool	For use on electric dryer terminals
6	128P4	Extractor Tool	For use on gas dryer terminals

Terminals

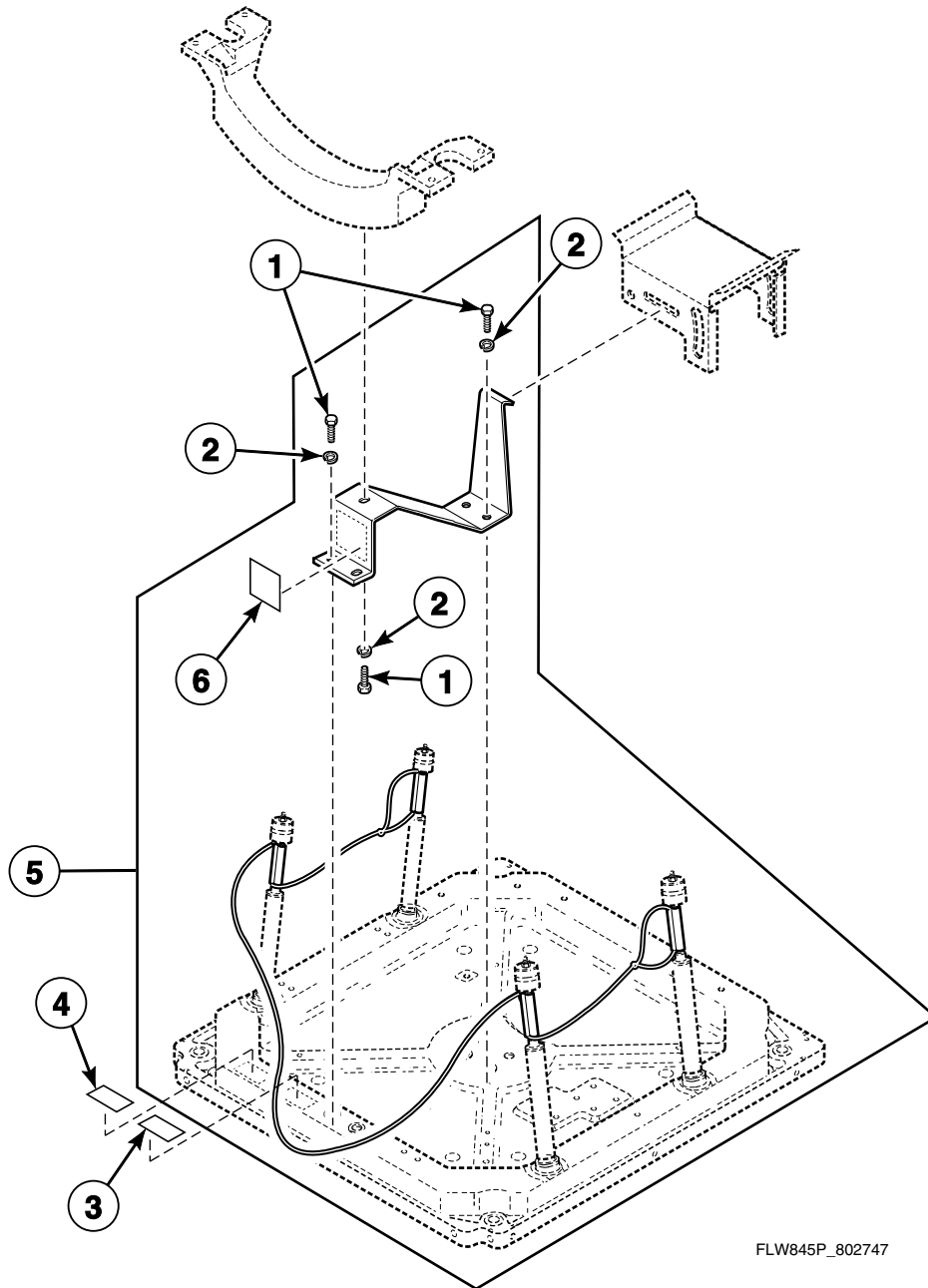


SWD1143P_802747

Terminals

REF	PART NO.	DESCRIPTION	COMMENTS
1	00117	Female Pin Terminal	
2	23039	3 Circuit Receptacle	
3	23040	Plug	
4	00116	Male Pin Terminal	
5	00189	Female Spade Terminal	Gas models
6	00361	Female Piggyback Terminal	Gas models
7	23033	9 Circuit Plug	
8	26708	6 Circuit Receptacle	
9	00256	Female Terminal	
10	36170	3 Circuit Receptacle	
11	501223	2 Circuit Receptacle	
12	58799	2 Circuit Connector	Gas models
13	00221	Insulated Female Flag Terminal	
14	55881	Harness Strap	
15	00252	Terminal	
16	58800	3 Circuit Connector	Gas models

Shipping Materials



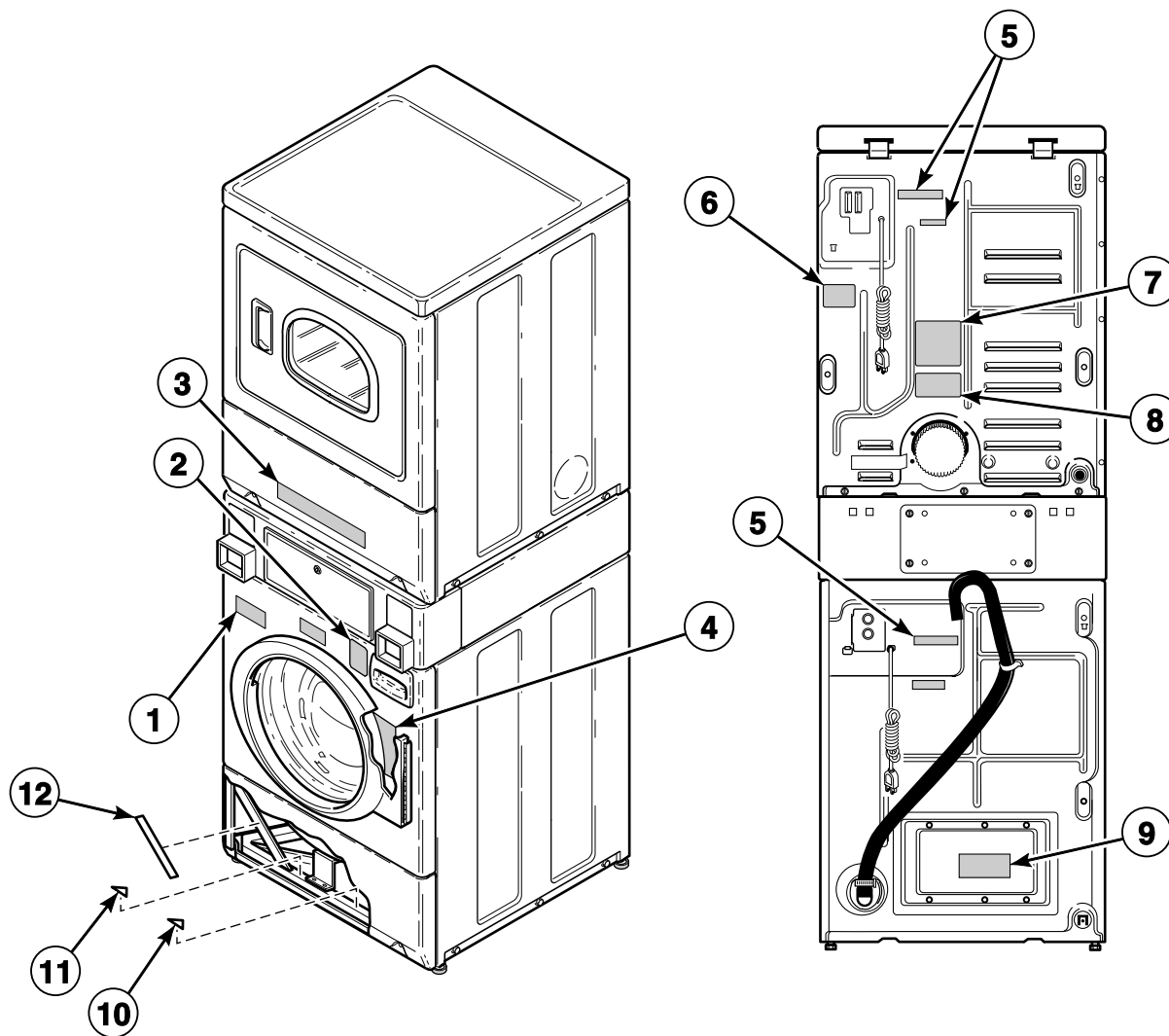
FLW845P_802747

Shipping Materials

REF	PART NO.	DESCRIPTION	COMMENTS
1	M400043	Screw	
2	M400014	Washer	
3	800632	Warning Label	Non-grounded
4	500314	Warning Label	Models BTEBEFSP281CW01, BTEBEFSP282CW01, BTGBEFSP091CW01, HTEB77*N2802, HTEBDFSP282CW01, HTEBXFSP282CW01, HTEBXFSP292CW01, HTEBYFSP282CW01, HTET77*N2802, HTEX77*N2802, HTEX77*N2902, HTEY77*N2802, HTGB79*N0902, HTGBDFSP092CW01, HTGBYFSP092CW01, HTGT79*N0902, HTGX79*N0902 and HTGY79*N0902
	F8211201	Electrical Shock Label	Models BTEL75*N4065, BTEL77*N4065, BTEX75*N4065, BTEX77*N4065, HTEBXFSP132DW01, HTEBXFSP542DW01, HTGBXFSP122DW01, HTGBXFSP542DW01, NTEBXFSP302NW01, NTEBXFSP302NW22, NTEL77*N4064, NTEX77*N3000, NTEX77*N4064, NTEX77*N4067, NTEX77*N5400, NTGBXFSP302NW01, NTGL79*N4067, NTGX79*N3000, NTGX79*N4067, STEA77*N3069, STEBXFSP132DW01, STEBXFSP301NW22, STEBXFSP302NW01, STEBXFSP302NW22, STEBXFSP542DW01, STEBXFSP542NW01, STEX77*N3000, STEX77*N4064, STEX77*N5400, STEX77*N5754, STEY77*N4064, STEY77*N5754, STGBXFSP122DW01, STGBXFSP301NW22, STGBXFSP302NW01, STGBXFSP302NW22, STGBXFSP542DW01 and STGX79*N3000
	F8211301	Pinched Fingers Label	Models BTEL75*N4065, BTEL77*N4065, BTEX75*N4065, BTEX77*N4065, HTEBXFSP132DW01, HTEBXFSP542DW01, HTGBXFSP122DW01, HTGBXFSP542DW01, NTEBXFSP302NW01, NTEBXFSP302NW22, NTEL77*N4064, NTEX77*N3000, NTEX77*N4064, NTEX77*N4067, NTEX77*N5400, NTGBXFSP302NW01, NTGL79*N4067, NTGX79*N3000, NTGX79*N4067, STEA77*N3069, STEBXFSP132DW01, STEBXFSP301NW22, STEBXFSP302NW01, STEBXFSP302NW22, STEBXFSP542DW01, STEBXFSP542NW01, STEX77*N3000, STEX77*N4064, STEX77*N5400, STEX77*N5754, STEY77*N4064, STEY77*N5754, STGBXFSP122DW01, STGBXFSP301NW22, STGBXFSP302NW01, STGBXFSP302NW22, STGBXFSP542DW01 and STGX79*N3000
	500049	Warning Label	All other models
5	930P3	Shipping Materials Kit	Includes items 1, 2, 6, shipping bracket, and shipping cord and brace assembly
6	686901	Shipping Bracket Label	

* Add Letter To Designate Color. Q - Bisque W - White

Labels

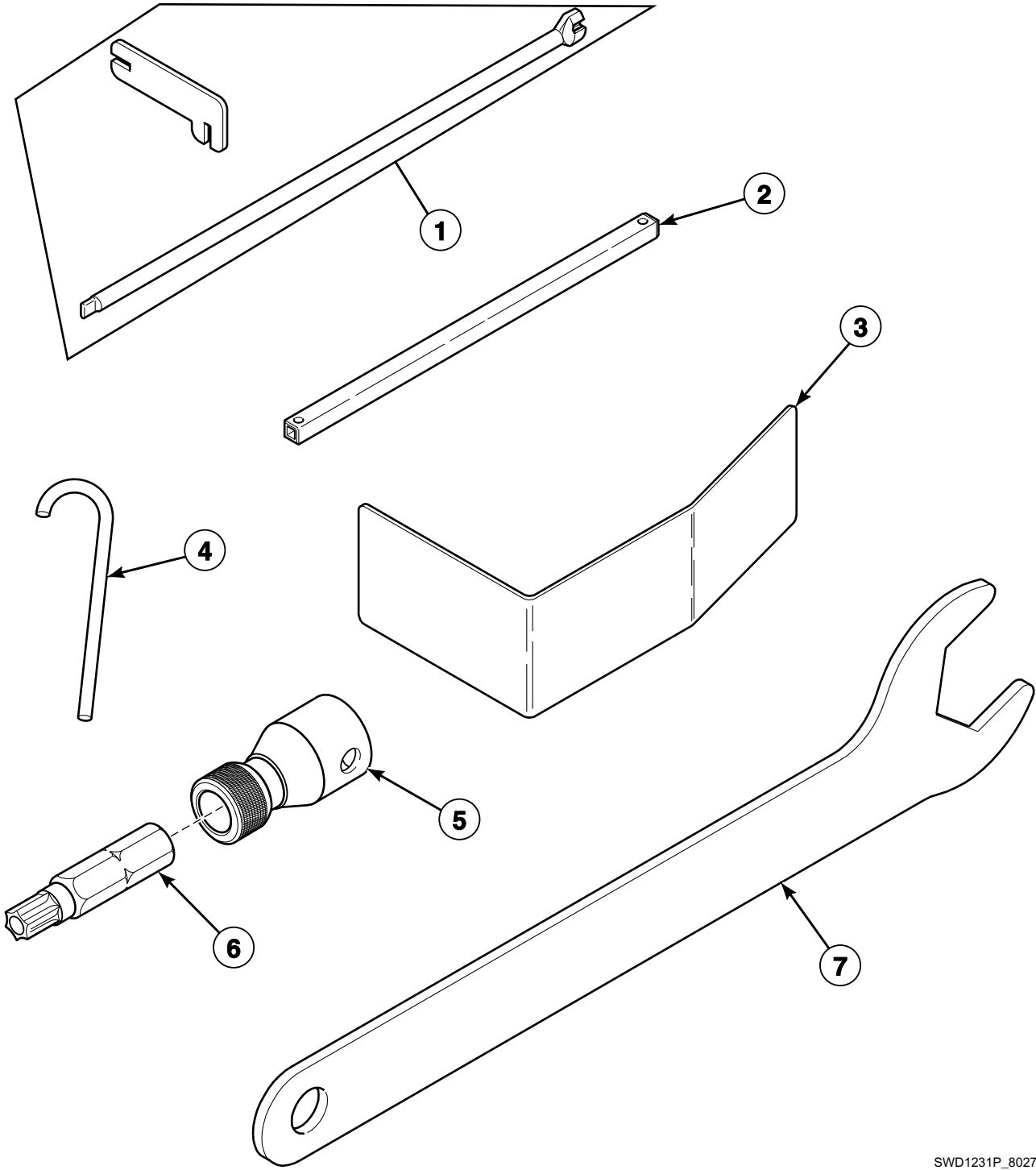


SWD1269P_802747

Labels

REF	PART NO.	DESCRIPTION	COMMENTS
1	803011	Notice Label	All models except BTEL75*N4065, BTEL77*N4065, BTEX75*N4065, BTEX77*N4065, NTEL77*N4064, NTEX77*N4064, NTEX77*N4067, NTGL79*N4067, NTGX79*N4067, STEA77*N3069, STEX77*N4064 and STEY77*N4064
2	802074	Oversudsing Label	English
	802838	Oversudsing Label	Spanish
	802839	Oversudsing Label	Quebec French
3	505052	Instruction Label	English
	513543	Instruction Label	French/English
4	804500	Warning Label	Models HTEBXFSP132DW01, HTEBXFSP542DW01, HTGBXFSP122DW01, HTGBXFSP542DW01, STEBXFSP132DW01, STEBXFSP542DW01, STGBXFSP122DW01 and STGBXFSP542DW01
	802367	Door Locked Warning Label	All other models
5	505281	Disconnect Power Warning Label	English
	502511	Electrical Shock Label	Icon
	804582	Warning Label	Models HTEBXFSP132DW01, HTEBXFSP542DW01, HTGBXFSP122DW01, HTGBXFSP542DW01, STEBXFSP132DW01, STEBXFSP542DW01, STGBXFSP122DW01 and STGBXFSP542DW01
6	500493	30 Amp Notice Label	Models HTEBXFSP132DW01, HTEBXFSP542DW01, NTEBXFSP302NW01, NTEBXFSP302NW22, NTEX77*N3000, NTEX77*N5400, STEA77*N3069, STEBXFSP132DW01, STEBXFSP301NW22, STEBXFSP302NW01, STEBXFSP302NW22, STEBXFSP542DW01, STEBXFSP542NW01, STEX77*N3000 and STEX77*N5400
7	502791	Venting Instruction Label	
8	500497	Exhaust Warning Label	
9	500049	Warning Label	English
	500314	Warning Label	Quebec French
	502511	Electrical Shock Label	Icon
10	F8211301	Pinched Fingers Label	
11	F8211201	Electrical Shock Label	
12	803522	Warning Label	

Special Tools



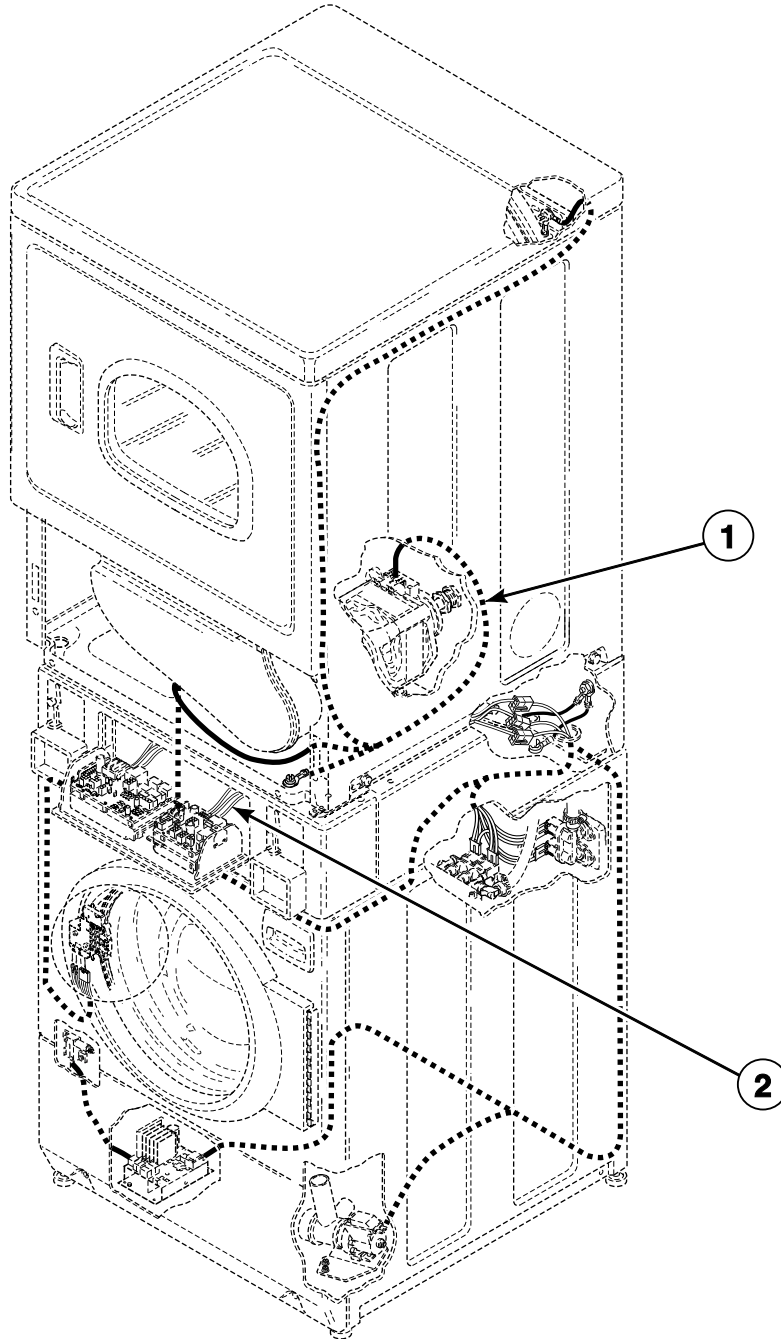
SWD1231P_802747

Special Tools

REF	PART NO.	DESCRIPTION	COMMENTS
1	CK096	Mounting Tool Kit	Use to install and remove electronic coin drop kits
2	310P4	Ratchet Extension Tool	1/4 inch; Use to install and remove non-electronic coin drops
3	318P4	Dispenser Drawer Tool	Use to remove dispenser drawer
4	802336	Pulley Bolt Tightening Fixture	Use to install inner basket
5	24161	Bit Holder	
6	282P4	Torx Bit	
7	392P4	Wrench	Use for adjusting leveling leg nuts

Dryer Wire Harnesses and Wires

Models HTEB77*N2802, HTGB79*N0902, NTGL79*N4067, NTGX79*N4067, STEA77*N, STEA77*N3069, STEB77*N, STEF77*N, STEF77*N4350, STGA73*N, STGA79*N, STGB79*N and STGF79*N



SWD1197P_802747

Dryer Wire Harnesses and Wires

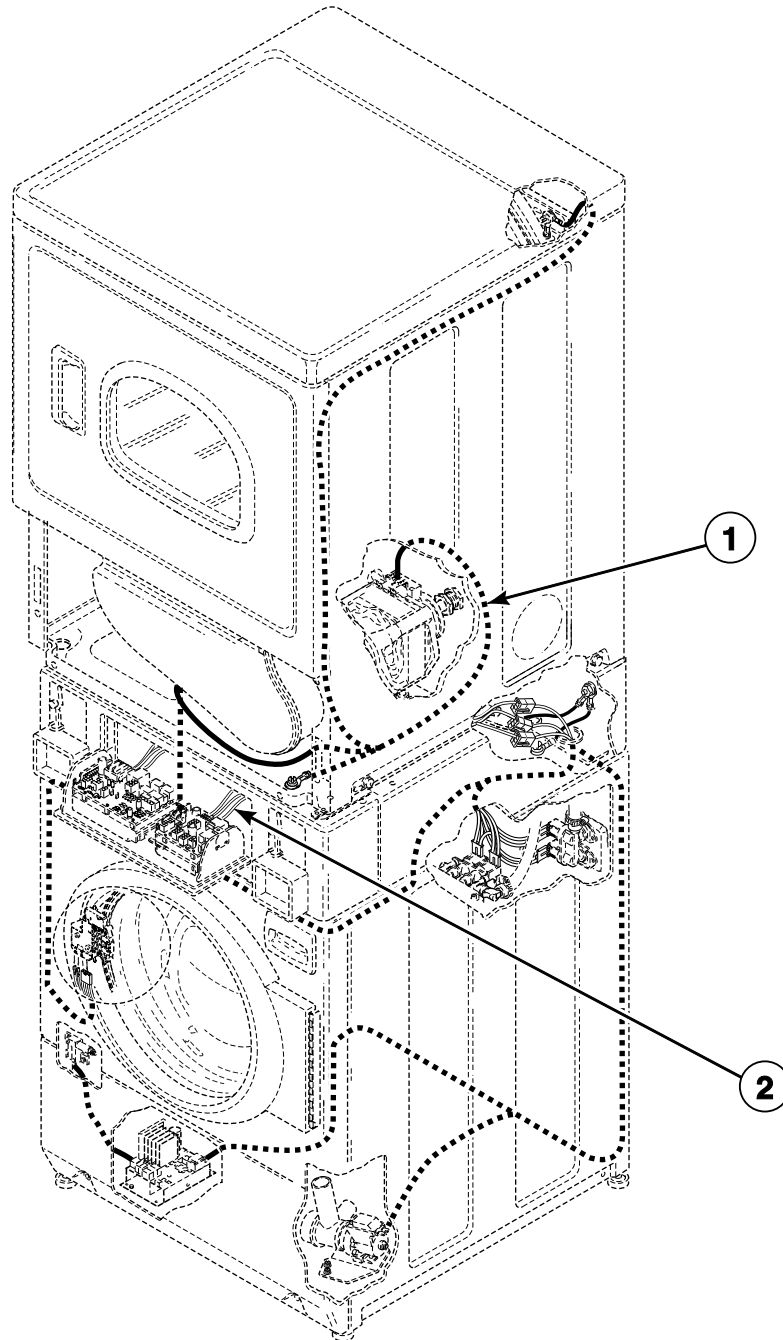
REF	PART NO.	DESCRIPTION	COMMENTS
	45001	18 Gauge Wire	Black; Order wire by foot, terminals/connectors as required
	45380	12 Gauge Wire	Orange; Order wire by foot, terminals/connectors as required
1	510434P	Wire Harness Assembly	Dryer; Model HTEB77*N2802
	510408P	Upper Wire Harness Assembly	Dryer; Models STEA77*N, STEB77*N and STEF77*N
	511753	Wire Harness Assembly	Dryer; Models NTGL79*N4067 and NTGX79*N4067
	511314P	Wire Harness Assembly	Dryer; Models STEA77*N3069 and STEF77*N4350
	510409P	Wire Harness Assembly	Dryer; All other models
2	510496P	Wire Harness	Dryer security cabinet; Models HTEB77*N2802, STEA77*N, STEB77*N and STEF77*N
	511757	Wire Harness Assembly	Dryer security cabinet; Models NTGL79*N4067 and NTGX79*N4067
	511318P	Wire Harness Assembly	Dryer security cabinet; Models STEA77*N3069 and STEF77*N4350
	510497P	Security Cabinet Wire Harness Assembly	Dryer security cabinet; All other models

* Add Letter To Designate Color. **Q** - Bisque **W** - White

NOTE: Individual wires are not available separately. Order complete harness, or order wire by the foot. When applying terminals to wires, it is recommended that the terminals be soldered to the wires.

Dryer Wire Harnesses and Wires - Models Through Serial Nos. Beginning 0904

All Models Except HTEB77*N2802, HTGB79*N0902, NTGL79*N4067, NTGX79*N4067, STEA77*N, STEA77*N3069, STEB77*N, STEF77*N, STEF77*N4350, STGA73*N, STGA79*N, STGB79*N and STGF79*N



SWD1197P_802747

Dryer Wire Harnesses and Wires - Models Through Serial Nos. Beginning 0904

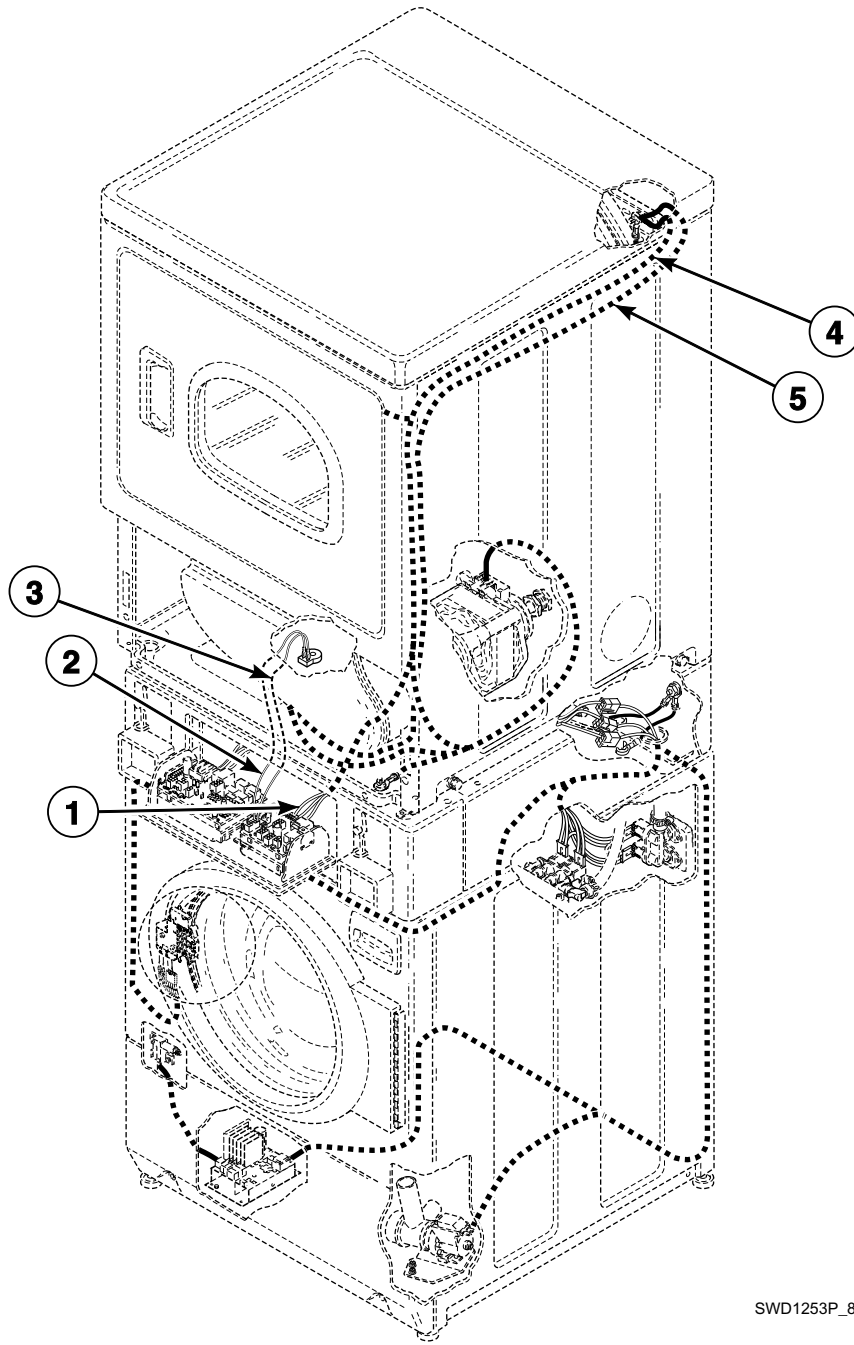
REF	PART NO.	DESCRIPTION	COMMENTS
	45001	18 Gauge Wire	Black; Order wire by foot, terminals/connectors as required
	45380	12 Gauge Wire	Orange; Order wire by foot, terminals/connectors as required
1	510434P	Wire Harness Assembly	Dryer; Models HTEBDFSP282CW01, HTEBXFSP282CW01, HTEBXFSP292CW01, HTEBYFSP282CW01, HTET77*N2802, HTEX77*N2802, HTEX77*N2902 and HTEY77*N2802
	511336P	Wire Harness Assembly	Dryer; Models BTEL75*N4065, BTEL77*N4065, BTEX75*N4065, BTEX77*N4065, NTEL77*N4064, NTEX77*N4064, STEX77*N4064 and STEY77*N4064
	510408P	Upper Wire Harness Assembly	Dryer; Models HTEBCFSP172TW01, HTEBXFSP172FW28, HTET77*N, HTEY77*N, STEBCFSP172TQ01, STEBCFSP172TW01, STEBXFSP172TQ01, STEBXFSP172TW01, STEBYFSP172TW01, STET77*N, STEX77*N, STEX77*N2827 and STEY77*N
	511317	Wire Harness Assembly	Dryer; Models NTGBXFSP302NW01, NTGX79*N3000, STGBXFSP301NW22, STGBXFSP302AW01, STGBXFSP302NW01, STGBXFSP302NW22 and STGX79*N3000
	511347	Wire Harness Assembly	Dryer; Models STGX79*N3060 and STGX79*N3061
	511314P	Wire Harness Assembly	Dryer; Models NTEBXFSP302NW01, NTEBXFSP302NW22, NTEX77*N3000, NTEX77*N4067, STEBXFSP301NW22, STEBXFSP302NW01, STEBXFSP302NW22, STEBXFSP432AW01, STEBXFSP542NW01, STEX77*N3000, STEX77*N4350, STEX77*N4351, STEX77*N5400, STEX77*N5754 and STEY77*N5754
	510409P	Wire Harness Assembly	Dryer; All other models
2	510496P	Wire Harness	Dryer security cabinet; Models HTEBCFSP172TW01, HTEBDFSP282CW01, HTEBXFSP172FW28, HTEBXFSP282CW01, HTEBXFSP292CW01, HTEBYFSP282CW01, HTET77*N, HTET77*N2802, HTEX77*N2802, HTEX77*N2902, HTEY77*N, HTEY77*N2802, STEBCFSP172TQ01, STEBCFSP172TW01, STEBXFSP172TQ01, STEBXFSP172TW01, STEBYFSP172TW01, STET77*N, STEX77*N, STEX77*N2827 and STEY77*N
	511338P	Wire Harness Assembly	Dryer security cabinet; Models BTEL75*N4065, BTEL77*N4065, BTEX75*N4065, BTEX77*N4065, NTEL77*N4064, NTEX77*N4064, STEX77*N4064 and STEY77*N4064
	511321P	Wire Harness Assembly	Dryer security cabinet; Models NTGBXFSP302NW01, NTGX79*N3000, STGBXFSP301NW22, STGBXFSP302AW01, STGBXFSP302NW01, STGBXFSP302NW22, STGX79*N3000, STGX79*N3060 and STGX79*N3061
	511318P	Wire Harness Assembly	Dryer security cabinet; Models NTEBXFSP302NW01, NTEBXFSP302NW22, NTEX77*N3000, NTEX77*N4067, STEBXFSP301NW22, STEBXFSP302NW01, STEBXFSP302NW22, STEBXFSP432AW01, STEBXFSP542NW01, STEX77*N3000, STEX77*N4350, STEX77*N4351, STEX77*N5400, STEX77*N5754 and STEY77*N5754
	510497P	Security Cabinet Wire Harness Assembly	Dryer security cabinet; All other models

* Add Letter To Designate Color. Q - Bisque W - White

NOTE: Individual wires are not available separately. Order complete harness, or order wire by the foot. When applying terminals to wires, it is recommended that the terminals be soldered to the wires.

Dryer Wire Harnesses and Wires - Models Starting Serial Nos. Beginning 0904

All Models Except BTEBCFSP172TW01, BTEBEFSP282CW01, BTEBYFSP172TW01, HTEB77*N2802, HTEBCFSP172TW01, HTEBDFSP282CW01, HTEBXFSP172FW28, HTEBXFSP282CW01, HTEBXFSP292CW01, HTEBYFSP282CW01, HTGB79*N0902, NTGL79*N4067, NTGX79*N4067, STEA77*N, STEA77*N3069, STEB77*N, STEBCFSP172TQ01, STEBCFSP172TW01, STEBXFSP172TQ01, STEBXFSP172TW01, STEBYFSP172TW01, STEF77*N, STEF77*N4350, STGA73*N, STGA79*N, STGB79*N and STGF79*N



SWD1253P_802747

Dryer Wire Harnesses and Wires - Models Starting Serial Nos. Beginning 0904

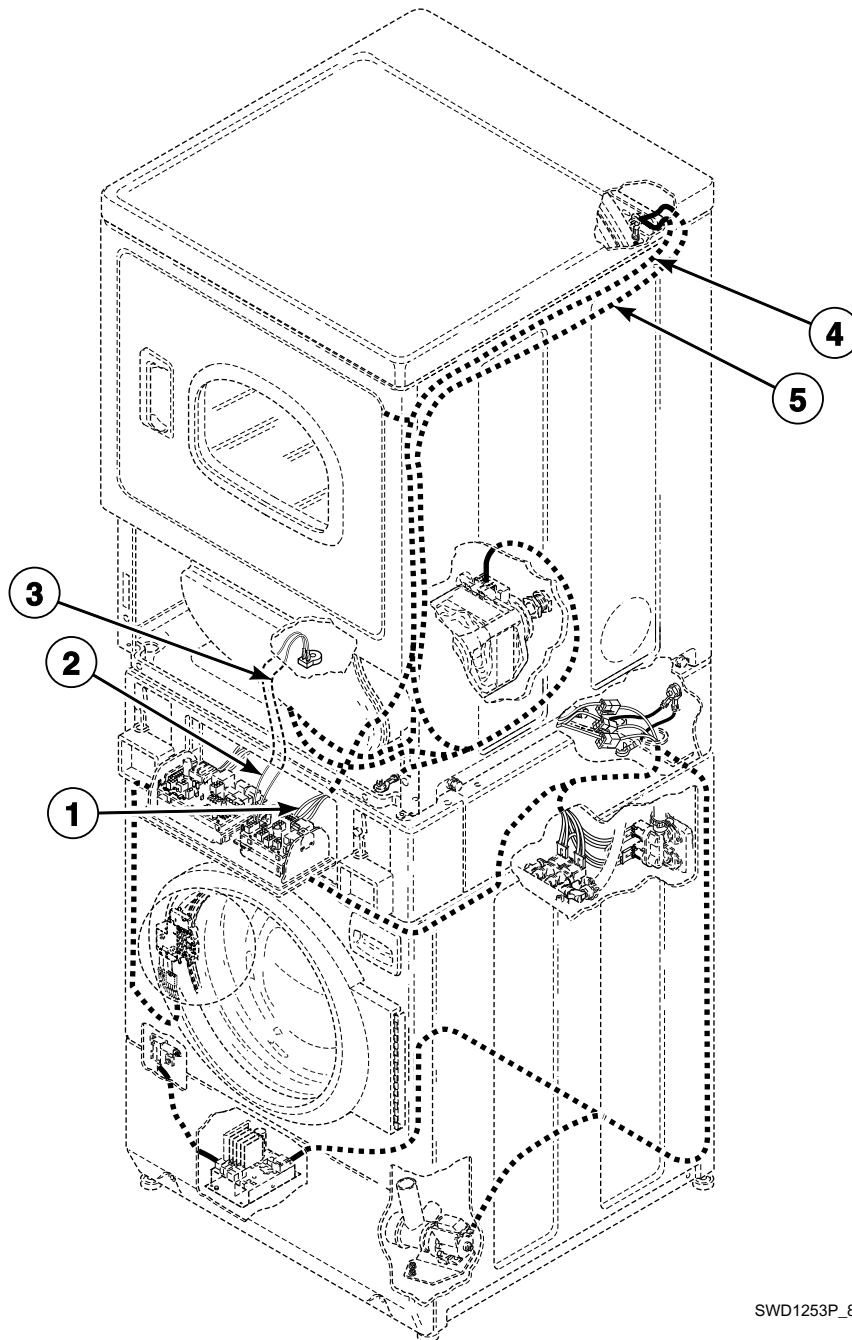
REF	PART NO.	DESCRIPTION	COMMENTS
	45001	18 Gauge Wire	Black; Order wire by the foot; Order terminals and connectors as required
	45380	12 Gauge Wire	Orange; Order wire by the foot; Order terminals and connectors as required
	513246P	Jumper Assembly	For models with two resistors, connect jumper wire to each resistor; Models BTEBLFSP431AW01, BTEBLFSP432AW01, BTEBXFSP432AW01, BTEL75*N4065, BTEL77*N4065, BTEX75*N4065, BTEX77*N4065, BTEX77*N4350, BTGBLFSP301AW01, BTGBLFSP302AW01, BTGBXFSP302AW01, BTGX79*N3060, HTGBXFSP542DW01, NTEBXFSP302NW01, NTEBXFSP302NW22, NTEL77*N4064, NTEX77*N3000, NTEX77*N4064, NTEX77*N4067, NTEX77*N5400, NTGBXFSP302NW01, NTGX79*N3000, STEBXFSP301NW22, STEBXFSP302NW01, STEBXFSP302NW22, STEBXFSP432AW01, STEBXFSP542NW01, STEX77*N3000, STEX77*N4064, STEX77*N4350, STEX77*N4351, STEX77*N5400, STEX77*N5754, STEY77*N4064, STEY77*N5754, STGBXFSP301NW22, STGBXFSP302AW01, STGBXFSP302NW01, STGBXFSP302NW22, STGBXFSP542DW01, STGX79*N3000, STGX79*N3060 and STGX79*N3061
1	512422P	Wire Harness Assembly	
2	512273P	Wire Configuration Assembly	
3	512275P	Wire Configuration Assembly	
4	511793P	Electronic Harness	Upper; Models BTGBCFSP111TW01, BTGBCFSP112TW01, BTGBEFSP091CW01, BTGBEFSP111TW01, BTGBXFSP112FW01, BTGBYFSP112TW01, BTGX79*N1127, HTGBCFSP112TW01, HTGBDFSP092CW01, HTGBXFSP112FW28, HTGBXFSP122DW01, HTGBYFSP092CW01, HTGBYFSP112TW01, HTGT79*N, HTGT79*N0902, HTGX79*N0902, HTGY79*N, HTGY79*N0902, STGBCFSP112TW01, STGBXFSP112TW01, STGBXFSP122DW01, STGBYFSP112TW01, STGT79*N, STGX73*N, STGX79*N and STGY79*N
	512434P	Wire Harness Assembly	Upper; Models BTEL75*N4065, BTEL77*N4065, BTEX75*N4065, BTEX77*N4065, NTEL77*N4064, NTEX77*N4064, STEX77*N4064 and STEY77*N4064
	512644	Wire Harness Assembly	Upper; Models BTEBEFSP281CW01, HTET77*N2802, HTEX77*N2802, HTEX77*N2902 and HTEY77*N2802
	512415	Wire Harness Assembly	Upper; Models HTGBXFSP542DW01, NTGBXFSP302NW01, NTGX79*N3000, STGBXFSP301NW22, STGBXFSP302AW01, STGBXFSP302NW01, STGBXFSP302NW22, STGBXFSP542DW01 and STGX79*N3000
	512285	Wire Harness Assembly	Upper; Models BTGBLFSP301AW01, BTGBLFSP302AW01, BTGBXFSP302AW01, BTGX79*N3060, STGX79*N3060 and STGX79*N3061
	511792P	Electronic Harness	Upper; All other models
5	512890P	Power Wire Harness Assembly	Models BTEBEFSP281CW01, HTET77*N2802, HTEX77*N2802, HTEX77*N2902 and HTEY77*N2802
	512643P	Wire Harness Assembly	Models BTGBEFSP091CW01, HTGBDFSP092CW01, HTGBYFSP092CW01, HTGT79*N0902, HTGX79*N0902 and HTGY79*N0902

* Add Letter To Designate Color. Q - Bisque W - White

NOTE: Individual wires are not available separately. Order complete harness, or order wire by the foot. When applying terminals to wires, it is recommended that the terminals be soldered to the wires.

Dryer Wire Harnesses and Wires - Models Starting Serial Nos. Beginning 0904 and Continuing Through Serial Nos. Beginning 1303

Models BTEBCFSP172TW01, BTEBEFSP282CW01, BTEBYFSP172TW01, HTEBCFSP172TW01, HTEBDFSP282CW01, HTEBXFSP172FW28, HTEBXFSP282CW01, HTEBXFSP292CW01, HTEBYFSP282CW01, STEBCFSP172TQ01, STEBCFSP172TW01, STEBXFSP172TQ01, STEBXFSP172TW01 and STEBYFSP172TW01



SWD1253P_802747

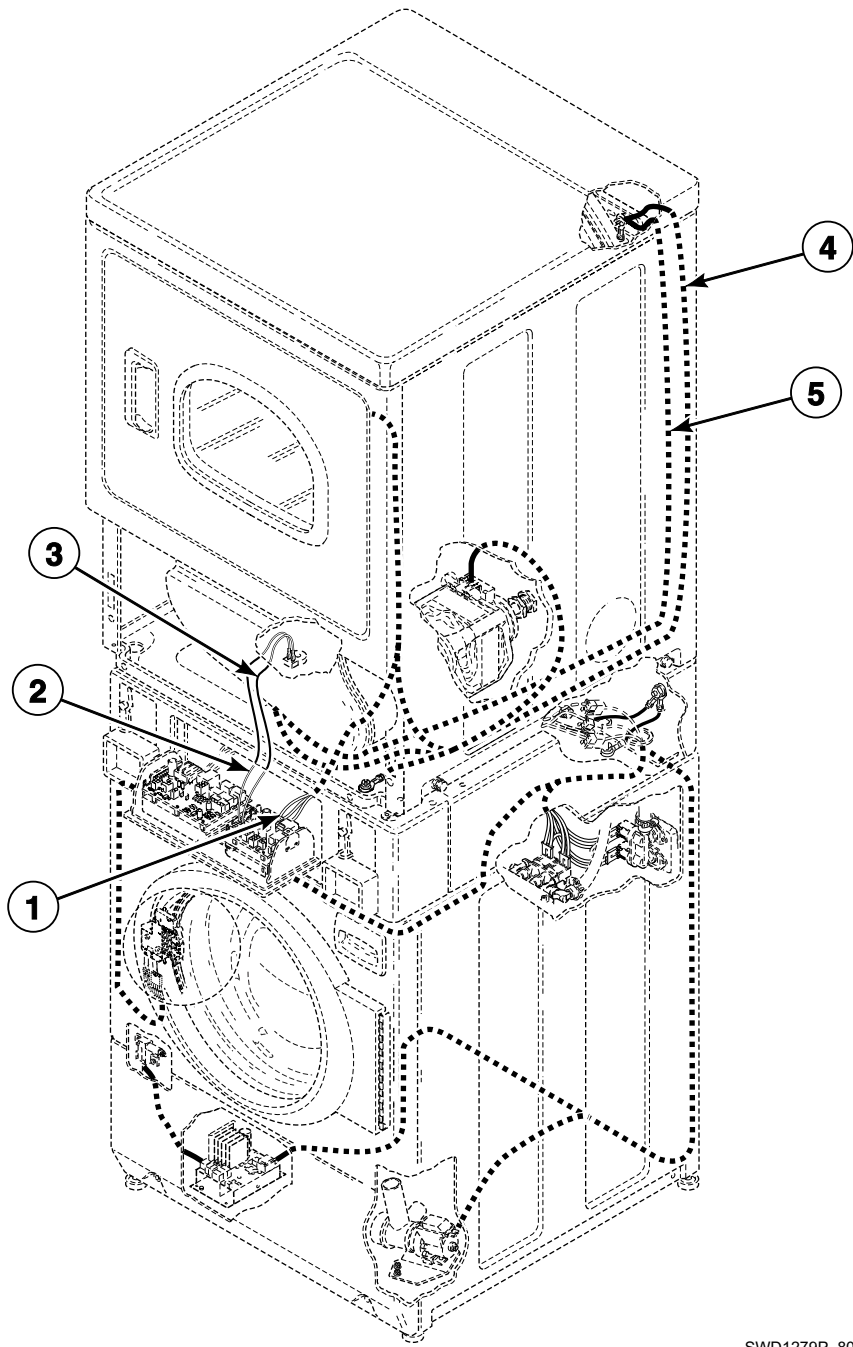
Dryer Wire Harnesses and Wires - Models Starting Serial Nos. Beginning 0904 and Continuing Through Serial Nos. Beginning 1303

REF	PART NO.	DESCRIPTION	COMMENTS
	45001	18 Gauge Wire	Black; Order wire by the foot; Order terminals and connectors as required
	45380	12 Gauge Wire	Orange; Order wire by the foot; Order terminals and connectors as required
1	512422P	Wire Harness Assembly	
2	512273P	Wire Configuration Assembly	
3	512275P	Wire Configuration Assembly	
4	512644	Wire Harness Assembly	Upper; Models HTEBDFSP282CW01, HTEBXFSP282CW01, HTEBXFSP292CW01 and HTEBYFSP282CW01
	511792P	Electronic Harness	Upper; All other models
5	512890P	Power Wire Harness Assembly	Models BTEBEFSP282CW01, HTEBDFSP282CW01, HTEBXFSP282CW01, HTEBXFSP292CW01 and HTEBYFSP282CW01

NOTE: Individual wires are not available separately. Order complete harness, or order wire by the foot. When applying terminals to wires, it is recommended that the terminals be soldered to the wires.

Dryer Wire Harnesses and Wires - Models Starting Serial Nos. Beginning 1303

Models BTEBCFSP172TW01, BTEBEFSP282CW01, BTEBYFSP172TW01, HTEBCFSP172TW01, HTEBDFSP282CW01, HTEBXFSP132DW01, HTEBXFSP172FW28, HTEBXFSP282CW01, HTEBXFSP292CW01, HTEBXFSP542DW01, HTEBYFSP282CW01, STEBCFSP172TQ01, STEBCFSP172TW01, STEBXFSP132DW01, STEBXFSP172TQ01, STEBXFSP172TW01, STEBXFSP542DW01 and STEBYFSP172TW01



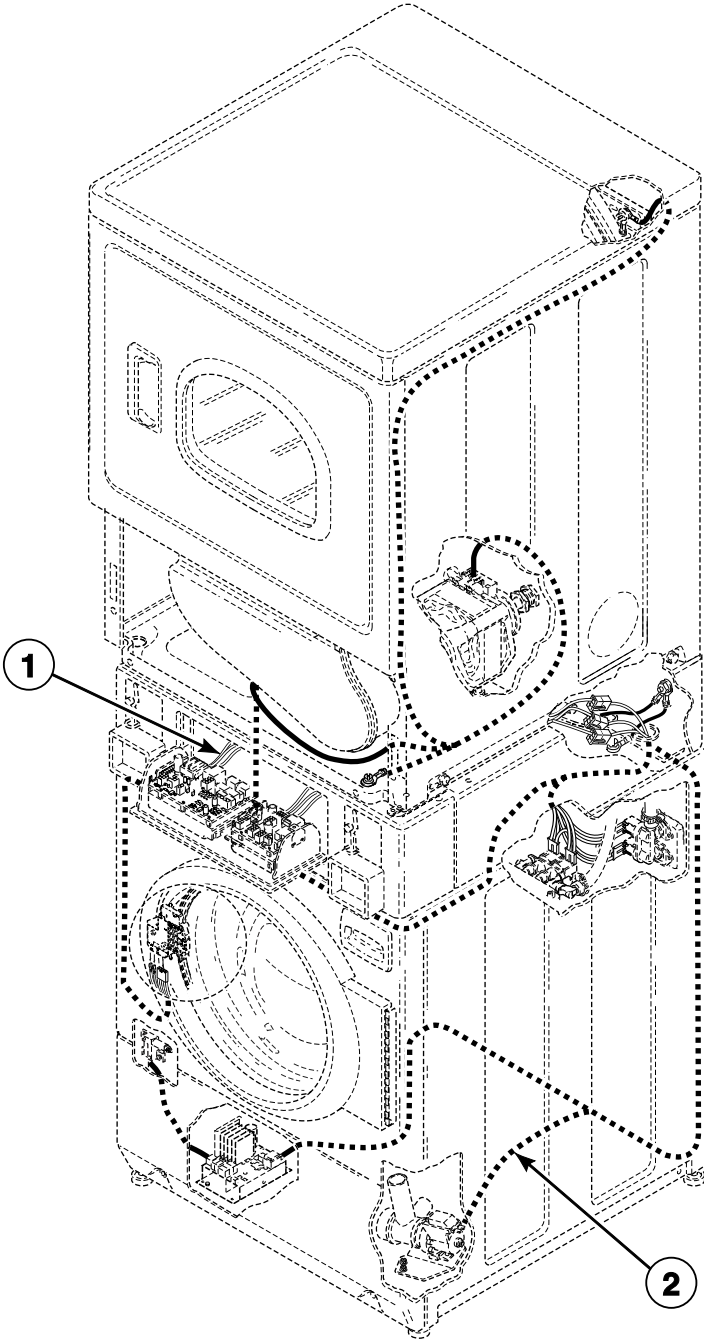
SWD1279P_802747

Dryer Wire Harnesses and Wires - Models Starting Serial Nos. Beginning 1303

REF	PART NO.	DESCRIPTION	COMMENTS
	45001	18 Gauge Wire	Black; Order wire by the foot; Order terminals and connectors as required
	45380	12 Gauge Wire	Orange; Order wire by the foot; Order terminals and connectors as required
1	512422P	Wire Harness Assembly	
2	512273P	Wire Configuration Assembly	
3	512275P	Wire Configuration Assembly	
4	514094	Electronic Harness	Upper
5	512890P	Power Wire Harness Assembly	Models BTEBEFSP282CW01, HTEBDFSP282CW01, HTEBXFSP282CW01, HTEBXFSP292CW01 and HTEBYFSP282CW01

NOTE: Individual wires are not available separately. Order complete harness, or order wire by the foot. When applying terminals to wires, it is recommended that the terminals be soldered to the wires.

Washer Wire Harnesses and Wires (Drawing 1 of 2)



SWD1197PA_802747

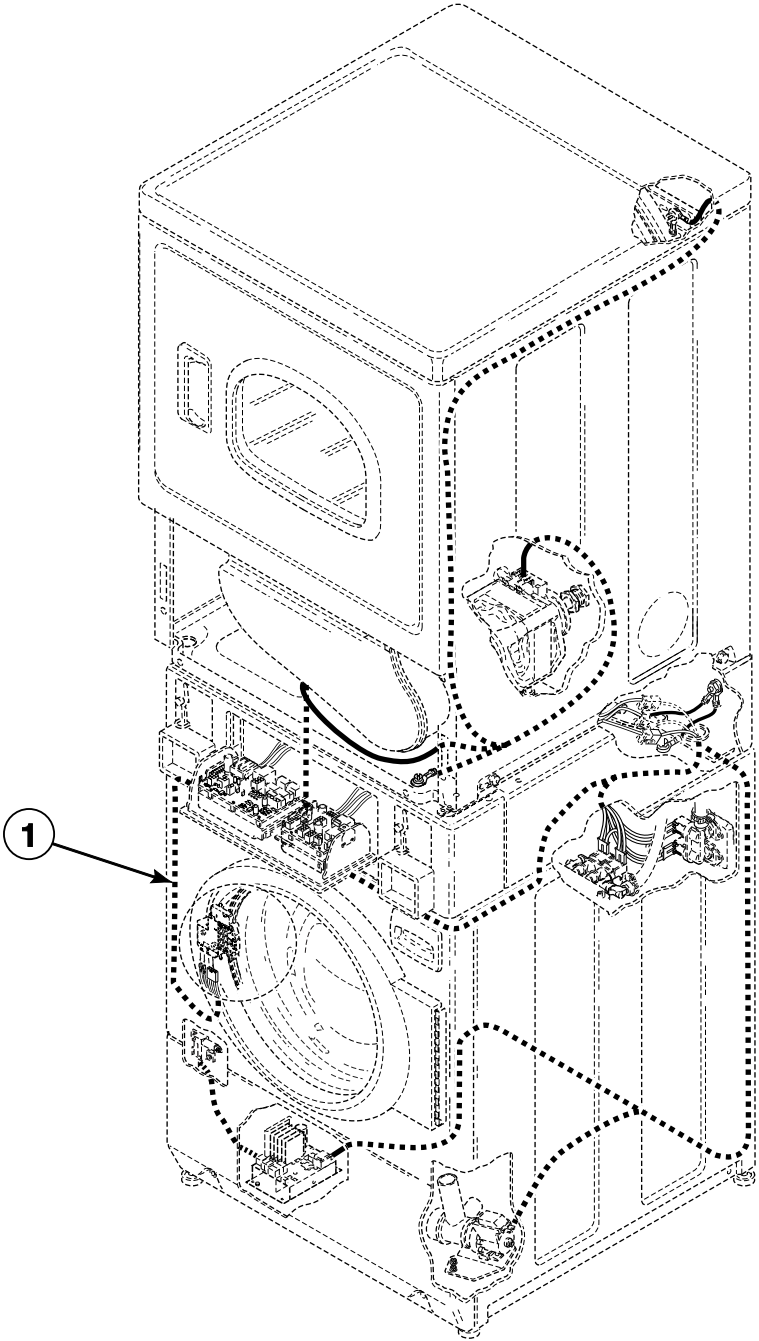
Washer Wire Harnesses and Wires (Drawing 1 of 2)

REF	PART NO.	DESCRIPTION	COMMENTS
	45001	18 Gauge Wire	Black; Order wire by foot, terminals/connectors as required
	45380	12 Gauge Wire	Orange; Order wire by foot, terminals/connectors as required
1	803313	Control Harness Assembly	Models BTEBLFSP431AW01, BTEBLFSP432AW01, BTEBXFSP432AW01, BTEX77*N4350, BTGBLFSP301AW01, BTGBLFSP302AW01, BTGBXFSP302AW01, BTGX79*N3060, HTEBXFSP542DW01, HTGBXFSP542DW01, NTEBXFSP302NW01, NTEBXFSP302NW22, NTEX77*N3000, NTEX77*N5400, NTGBXFSP302NW01, NTGX79*N3000, STEBXFSP301NW22, STEBXFSP302NW01, STEBXFSP302NW22, STEBXFSP432AW01, STEBXFSP542DW01, STEBXFSP542NW01, STEX77*N3000, STEX77*N4350, STEX77*N4351, STEX77*N5400, STGBXFSP301NW22, STGBXFSP302AW01, STGBXFSP302NW01, STGBXFSP302NW22, STGBXFSP542DW01, STGX79*N3000, STGX79*N3060 and STGX79*N3061
	801335	Control Harness Assembly	Models STEA77*N3069 and STEF77*N4350
	801117	Control Harness Assembly	Models BTEL75*N4065, BTEL77*N4065, BTEX75*N4065, BTEX77*N4065, NTEL77*N4064, NTEX77*N4064, NTEX77*N4067, NTGL79*N4067, NTGX79*N4067, STEX77*N4064, STEX77*N5754, STEY77*N4064 and STEY77*N5754
	801064P	Front Control Harness Assembly	Models HTEB77*N2802, HTGB79*N0902, STEA77*N, STEB77*N, STEF77*N, STGA73*N, STGA79*N, STGB79*N and STGF79*N
	803107	Harness Assembly	All other models
2	802274P	Motor Harness Assembly	Models through Serial No. 1201004551
	803581	Motor Harness Assembly	Model starting Serial No. 1201004552

* Add Letter To Designate Color. Q - Bisque W - White

NOTE: Individual wires are not available separately. Order complete harness, or order wire by the foot. When applying terminals to wires, it is recommended that the terminals be soldered to the wires.

Washer Wire Harnesses and Wires (Drawing 2 of 2)



SWD1197PB_802747

Washer Wire Harnesses and Wires (Drawing 2 of 2)

REF	PART NO.	DESCRIPTION	COMMENTS
	45001	18 Gauge Wire	Black; Order wire by foot, terminals/connectors as required
	45380	12 Gauge Wire	Orange; Order wire by foot, terminals/connectors as required
1	802349P	Base Harness Assembly	Models BTEL75*N4065, BTEL77*N4065, BTEX75*N4065, BTEX77*N4065, NTEL77*N4064, NTEX77*N4064, NTEX77*N4067, NTGL79*N4067, NTGX79*N4067, STEX77*N4064, STEX77*N5754, STEY77*N4064 and STEY77*N5754; Models through Serial No. 0704007393
	802834P	Base Harness Assembly	Models BTEL75*N4065, BTEL77*N4065, BTEX75*N4065, BTEX77*N4065, NTEL77*N4064, NTEX77*N4064, NTEX77*N4067, NTGL79*N4067, NTGX79*N4067, STEX77*N4064, STEX77*N5754, STEY77*N4064 and STEY77*N5754; Models starting Serial No. 0704007394 and continuing through Serial No. 1001000989
	803470	Base Harness Assembly	Models BTEL75*N4065, BTEL77*N4065, BTEX75*N4065, BTEX77*N4065, NTEL77*N4064, NTEX77*N4064, NTEX77*N4067, NTGL79*N4067, NTGX79*N4067, STEX77*N4064, STEX77*N5754, STEY77*N4064 and STEY77*N5754; Models starting Serial No. 1001000990
	802350P	Base Harness Assembly	Models HTGBXFSP542DW01, NTEBXFSP302NW01, NTEX77*N3000, NTGBXFSP302NW01, NTGX79*N3000, STEA77*N3069, STEBXFSP302NW01, STEBXFSP432AW01, STEBXFSP542NW01, STEF77*N4350, STEX77*N3000, STEX77*N4350, STEX77*N4351, STEX77*N5400, STGBXFSP302AW01, STGBXFSP302NW01, STGBXFSP542DW01, STGX79*N3000, STGX79*N3060 and STGX79*N3061; Models through Serial No. 0705003456
	802833P	Base Harness Assembly	Models BTEBLFSP431AW01, BTEBLFSP432AW01, BTEBXFSP432AW01, BTEX77*N4350, BTGBLFSP301AW01, BTGBLFSP302AW01, BTGBXFSP302AW01, BTGX79*N3060, HTEBXFSP542DW01, HTGBXFSP542DW01, NTEBXFSP302NW01, NTEBXFSP302NW22, NTEX77*N3000, NTEX77*N5400, NTGBXFSP302NW01, NTGX79*N3000, STEA77*N3069, STEBXFSP301NW22, STEBXFSP302NW01, STEBXFSP302NW22, STEBXFSP432AW01, STEBXFSP542DW01, STEBXFSP542NW01, STEF77*N4350, STEX77*N3000, STEX77*N4350, STEX77*N4351, STEX77*N5400, STGBXFSP301NW22, STGBXFSP302AW01, STGBXFSP302NW01, STGBXFSP302NW22, STGBXFSP542DW01, STGX79*N3000, STGX79*N3060 and STGX79*N3061; Models starting Serial No. 0705003457
	802351P	Base Harness Assembly	All other models; Models through Serial No. 0709009264
	802831P	Base Harness Assembly	All other models; Models starting Serial No. 0709009265

* Add Letter To Designate Color. Q - Bisque W - White

NOTE: Individual wires are not available separately. Order complete harness, or order wire by the foot. When applying terminals to wires, it is recommended that the terminals be soldered to the wires.

Parts Index

A

Access Panel and Guard Assembly	
514252Q	59
514252W	59
Access Panel Assembly	
514250Q	27, 59
514250W	27, 59
Access Panel Damper	
685368	27
Access Panel Plate	
510903	81
Adhesive	
511637P	67, 69
Air Duct Assembly	
510151LG	67
510151W	67
Anchor Floor Mount Assembly	
802844P	47
Anti-Seize Compound	
27604P	39
Audit Switch Bracket	
800379	11
800380	11

B

Backflow Preventer	
34500	29, 31
800310	45
Ballast Weight	
800205	37
Base Assembly	
802245	47
Base Harness Assembly	
802349P	107
802350P	107
802351P	107
802831P	107
802833P	107
802834P	107
803470	107
Base Shock Absorber Kit	
802881P	37
Bearing Housing Kit	
800428P	39
Bearing Kit	
RB160001	39
Bit Holder	
24161	93
Block to Relay Harness	
511112P	71
Blower and Fan Kit	
510717P	63
Blower Fan Assembly	
510139P	61
Blower Housing	
511969WP	61

Blower Housing Seal	
510238P	61
Booster and Holding Coil	
58804A	77
Boot Nozzle	
802291	27, 29
Brace Kit	
918P3	47
Bracket	
510146	81
Bumper Pad	
36226	47
56128	81
Burner Assembly	
510149P	77

C

Cabinet Brace	
801491	47
801492	47
Cabinet Panel Kit	
800004QP	47
800004WP	47
Cabinet Rear Panel	
510005P	81
Cabinet Side Panel	
510001QP	81
510001WP	81
510002QP	81
510002WP	81
Cable Connection Box	
39922	49
Cable Tie	
M405829	51
39037	29
Cap	
801746	29
Card Insert Overlay	
511544	21
511548	21
Card Reader and Bracket Assembly	
510068P	21
Card Reader Overlay	
800230	21
Card Reader Shield	
801101	81
Card Reader Wire Harness Assembly	
800125P	21
Caution Label	
500253	59
Central Pay Harness	
511478	7, 23
Clamp Ring	
800312	33
Clean Lint Label	
502804	59
Clip	
201572	19

N/A items do not appear in index.

Clothes Guard	
803537	33
Clothes Guard and Deflector Kit	
804560P	33
Clothes Guard Deflector	
804174P	33
804482	33
Coin Drop	
38963P	17
70441601P	17
Coin Drop Assembly	
CK114	17
38462P	17
38463	17
38464P	17
38467	17
38472	17
38519	17
38521	17
70441602	17
70447301	17
70482401	19
Coin Drop Overlay	
39564	21
Coin Drop Wire Harness	
201104	19
Coin Identification Paper	
38725	17, 19
Combustion Duct	
510131	75
Connector, 2 Circuit	
58799	87
Connector, 3 Circuit	
58800	87
Contactora	
F330177P	11, 23, 71
70323701P	81
Contactora Bracket	
511859	81
Contactora Wire Harness Assembly	
801120P	11, 23
Control Assembly	
511867P	7, 23
802400P	7, 23
803146P	7
Control Cabinet Bottom	
801777	23
Control Harness Assembly	
801117	105
801335	105
803313	105
Control Kit	
505905P	7
800772P	7
802076P	7
Control Panel	
801778W	23
Control Panel and Bracket Assembly	
800034W	7
Control Shield	
801061	41
801371	11, 23
804738	41
Conversion Kit	
756P3	71

Cylinder Assembly	
510265LGP	67
510265WP	67
Cylinder Baffle	
510102LG	67
510102W	67
Cylinder Belt	
511255P	61
Cylinder Glide	
510188	67
Cylinder Glide Bracket	
510145	67
Cylinder Roller	
510708P	69
Cylinder Roller Bracket	
510100	69
Cylinder Seal Assembly	
510207P	67, 69

D

Damper	
58786	81
Detergent Cover	
800899	29
Diagnostic Wire Harness Assembly	
800374	7
800680	23
Din Rail	
M412693	71, 81
Directional Exhaust Kit	
528P3	81
Disconnect Power Warning Label	
505281	91
Dispenser	
685756P	29
801090P	29
Dispenser Assembly	
801476P	29
Dispenser Drawer	
685757P	29
Dispenser Drawer Front	
685715QP	29
685715WP	29
Dispenser Drawer Tool	
318P4	93
Dispenser Plate	
801024	29
Dispenser-to-Door Seal Hose	
802256	27, 29
Dispenser-to-Tub Hose	
800331	29
Door and Liner Assembly	
511636QP	55
511636WP	55
Door Assembly	
802368QP	27
802368WP	27
802872P	27
Door Catch Assembly	
514113	59
802803	27

N/A items do not appear in index.

Door Glass	802695P	27
Door Handle Wedge	510129	53
Door Hinge	802934	27
Door Latch/Switch Assembly	802317P	27
Door Liner Grill	503870LG	53
	503870W	53
Door Locked Warning Label	802367	91
Door Pull and Wedge Kit	510103QP	55
	510103WP	55
Door Seal Assembly	802866P	27, 29
Door Seal Kit	802830P	27, 29
Door Strike	510181	53
Door Strike Mount	510127	53
Drain Hose	27154	45
Drain Hose Elbow	35766	45
Drain Kit	985P3	45
Drain Pump	802623P	45
	802624P	45
	802625P	45
Drain Valve	803293	43
Drain Valve Kit	F975P3	43
	F976P3	43
Drain-to-Cabinet Hose	800903	43
Drive Belt	800319P	41
Driven Pulley	800866	39
Dryer Base	513901	81
Dryer Door	510082QP	53
	510082WP	53
Dryer Door Assembly	514114Q	53
	514114W	53
Dryer Door Window	503982P	53
Dual Overlay	39073	17

E

Elbow Shut-Off Valve	510205	77
----------------------	--------	----

Electric Access Panel	801134	15
Electrical Shock Label	F8211201	37, 89, 91
	502511	91
Electronic Coin Drop Assembly	70294103P	19
	70294104	19
	70294105P	19
	70294106	19
	70294107	19
	70294110	19
	70294111	19
	70294112	19
	70294116	19
	70294117	19
	70294120	19
	70294121	19
Electronic Coin Drop Kit	CK099	19
	CK100	19
	CK101	19
	CK103	19
	CK108	19
	CK109	19
	CK110	19
	CK113	19
	CK115	19
	CK116	19
	CK117	19
	CK118	19
	CK120	19
	CK121	19
	CK122	19
Electronic Harness	511792P	99, 101
	511793P	99
	514094	103
End Stop	70121001	71, 81
Exhaust Duct	510137	81
Exhaust Warning Label	500497	91
Expansion Clip	70030501	23, 25
Extension Spring	802285	27
Extractor Tool	128P4	85
	190P4	85

F

Felt Pad	510189	67
Female Piggyback Terminal	00361	87
Female Pin Terminal	00117	87
Female Spade Terminal	00189	87
Female Terminal	00188	85
	00255	85

N/A items do not appear in index.

00256	85, 87
Fill Hose	
202799	31
202931	31
20617	31
20618	31
37380	31
37381	31
Fill Hose Kit	
38349P	31
Filter	
801255P	15, 25
Fitting	
801792P	15, 25
Flexible Venting Kit	
521P3	81
Front Bulkhead Assembly	
510266P	67
Front Control Harness Assembly	
801064P	105
Front Overlay	
801874	9
Front Panel	
510066QP	59
510066WP	59
802277QP	27
802277WP	27
Front Panel Assembly	
513781W	59
Front Panel Seal	
511056	59
Fuse	
801755	41
Fuse Notice Label	
61294	67, 81

G

Gas Valve Assembly	
510506P	77
60353P	77
Gas Valve Mounting Bracket	
510128	77
Gasket	
802427	45
Glass Door Window	
513910	55
Glass Mounting Clip	
802700	27
Glide Kit	
RB170003	67
Graphic Overlay	
801984	23
802289	23
Gravity Drain Bracket	
803291	43
Gravity Drain Valve	
803292	43
Grommet	
29175	37
Grounding Clip	
00161	37

H

Hardware Kit	
838P3	39
Harness Assembly	
511327	81
802904P	17
802905	17, 19
803107	105
Harness Strap	
55881	27, 51, 87
Heat Duct Shroud	
510101	75
Heater	
511014P	71
Heater Assembly	
510324P	73
510326P	73
510327P	73
510329P	73
510330P	73
Heater Duct and Screw Assembly	
510025P	71, 73, 75
Heater Harness	
802323P	35
803492	35
Heater Kit	
964P3	73
965P3	73
Heater Kit Assembly	
61927	73
61928	73
61929	73
61930	73
Heating Element Kit	
803557P	35
803558P	35
Hinge	
511036	55
Hinge Hole Plug	
510186	59
Hinge Plate	
802206	27
Hole Plug	
M412154	47
Hose Clamp	
F200204	45
F200206	29
20211	45
20391	45
39282	37
685725	29, 43
802164	27, 29, 31
802281	27
802698	27, 29
Hose Clip	
36985	13, 23, 51
800553	39
Hose Mounting Plate	
800552	39
Housing, 10 Position	
500338	85

N/A items do not appear in index.

I

Idler Lever	
510133	61
Idler Lever and Wheel Assembly	
510158	61
Idler Spring	
510185	61
Idler Wheel and Bearing Assembly	
510142P	61
Igniter and Bracket Assembly	
510184P	77
Inner Basket Assembly	
802365P	39
803008P	39
804322	39
Inner Door Bezel Kit	
802307P	27
802331P	27
Insert	
685716	29
Instruction Label	
505052	91
513543	91
Insulated Female Flag Terminal	
00221	87
Inverter Control Assembly	
803254P	41
803255P	41

J

Jumper Assembly	
513246P	99
Jumper Configuration Assembly	
M413507	13, 23
Jumper Harness	
513268	41
513316	41
Jumper Harness Assembly	
M413505	13
Jumper Wire Assembly	
511270	71
Junction Box	
801403	49
Junction Box Cover	
801404	49
Junction Box Seal	
801425P	49

K

Key	
54612	7

L

Lead-In Cord	
34458	51

512019	83
59308	83
Lead-In Cord Assembly	
503597	83
514222	83
514289	83
804556	49
Lead-In Pipe Assembly	
510204	77
Lead-In Wire Harness Assembly	
201405P	49
804680	49
Left Control Cabinet Side	
801738W	23
Leveling Leg	
34319	47
510135	81
Lid Assembly	
802426P	45
Limit Thermostat	
510701	71, 73
510702	75
Line Filter	
201058	15, 25, 49
Liner and Seal Assembly	
510098LG	53
510098W	53
Liner Door Seal	
510147P	53
Lint Filter	
503980LG	67
503980W	67
Lock Cam	
27261	7
Lock Kit	
27260P	7
Lower Junction Box	
801433	49
L.P. Conversion Kit	
458P3	77
600P3	77
L.P. Orifice	
503786	79
58755	79

M

Male Pin Terminal	
00116	87
Manual Reset Thermostat	
M411941	65
Mixing Valve	
802220P	31
802222P	31
Mixing Valve Plate	
800323	31
Mixing Valve Screen	
802926	31
Motor Access Hole Edging	
801702	47
Motor and Pulley Assembly	
505843P	61
505869P	61

N/A items do not appear in index.

511629P.....	61
Motor and Rod Assembly Kit 801684P.....	41
Motor Harness Assembly 802274P.....	105
803581.....	105
Motor Hub Ring Kit 590P3.....	61
Motor Mount 510060.....	61
Motor Mount Clamp 510180.....	61
Motor Mount Rod 801062.....	41
Motor Pulley 500011.....	61
500222.....	61
Mounting Tool Kit CK096.....	93

N

Network Varistor Assembly 801311.....	15, 25
Notice Label 803011.....	91
Notice Label, 30 Amp 500493.....	91
Nut F430218.....	33, 39
03673.....	51
201216.....	19
21899.....	47
23951.....	27
29786.....	17, 43
29787.....	15, 25
36020.....	27
44071201.....	55
52566.....	61
56156.....	61, 69
685846.....	27
70054.....	21
800452.....	37, 39
802292.....	27, 29
802343.....	33
803017.....	39
N.G. Conversion Kit 459P3.....	77
N.G. Orifice 503776.....	79
503778.....	79
503779.....	79
503780.....	79
510517.....	79

O

Opto Coupler 200674P.....	17
O-Ring 802429P.....	45
Outer Door Bezel Kit 802313QP.....	27

802313WP.....	27
802314P.....	27
Outer Tub Assembly 801081P.....	37
801291.....	37
Outlet Cover 500820.....	71, 73, 75
Out-of-Balance Switch Assembly 801006.....	37
803415.....	37
Overlay 201091.....	19
513546.....	9
800026.....	9
800027.....	9
800894.....	9
801051.....	9
801054.....	9
801415.....	9
802078.....	9
803157.....	9
803435.....	9
803536.....	23
803597.....	9
Overlay Kit 38676.....	17
Oversudsing Label 802074.....	91
802838.....	91
802839.....	91

P

Panel Kit 727P3Q.....	81
727P3W.....	81
Panel Locator 56079.....	17, 21, 27, 47, 59, 81
Pinched Fingers Label F8211301.....	37, 89, 91
Plug 23040.....	87
Plug, 9 Circuit 23033.....	87
Pop Rivet 685847.....	39
Porcelain Touch-Up Paint 122P4P.....	47
370P4P.....	47
Power Cord Assembly 39925.....	49
39931.....	49
506081.....	83
58992.....	83
801450.....	49
802012.....	49
Power Harness Assembly 803150P.....	69
Power Wire Harness Assembly 512890P.....	99, 101, 103
Pressure Bulb 30907.....	37
Pressure Switch 802299P.....	11, 23

N/A items do not appear in index.

Pulley Bolt Tightening Fixture 802336	93
Pump Housing 802428	45
Pump Housing Assembly 802434P	45
Pump Mount Bracket 802626	45
Pump-to-Elbow Hose 685737	45

R

Ratchet Extension Tool 310P4	93
Rear Access Panel 800011	47
Rear Bulkhead Assembly 511082P	69
Rear Control Cabinet 801058	23, 25
Rear Panel 800010P	47
801216	47
Receptacle, 2 Circuit 501223	87
Receptacle, 3 Circuit 23039	87
36170	87
Receptacle, 6 Circuit 26708	87
Relay to Heater Harness 511114P	71
Resistor 210100	13, 23
Retaining Ring 23748	41, 61, 69
Right Control Cabinet Side 800915Q	23
800915W	23
Roller Kit RB170002	69
Rubber Foot 34318	47

S

Screw	
M400043	39, 89
M400057	41
M405188	47
02916	43
20530	51, 83
23222	65, 71, 73, 77
31260	61
31645	47
33562	59
36048	17, 21, 81
39733	17, 21, 27, 47, 59, 81
430497	47
500226	53
500824	61

501086	31
501285	67, 69
501524	7, 23, 41
503661	11, 15, 17, 21, 23, 25, 27, 31, 37, 41, 43, 45, 47, 49, 81
503688	11, 15, 17, 21, 23, 25, 59, 61, 67, 69, 71, 73, 75, 77, 81
505295	55, 67
505870	53, 55
51782	75, 77
52864	67
52909	45
56124	77
61199	69
62588	67
62853	59
685831	39
70240301	23, 25
800461	37
800462	33, 39
800548	27, 29
800930	23
801001	29
801019	27
801045	27
801993	27
802430	45
802431	45
802596	33
Screw Label	
685928	47
804581	47
Screw Orifice 58719	79
Seal Kit RB170001	67, 69
Sealant 27615P	45
Secondary Coil 58804B	77
Security Cabinet Front Assembly 511208Q	21
511208W	21
511632Q	17
511632WP	17
Security Cabinet Rear Service Panel 800177	11
Security Cabinet Wire Harness Assembly 510497P	95, 97
Security Cabinet Wrapper Assembly 800231Q	17, 21
800231W	17, 21
801235Q	17, 21
801235W	17, 21
Sensor 510213	77
Shaft 56461P	61, 69
Shipping Bracket Label 686901	89
Shipping Materials Kit 930P3	89
Side Panel Kit 800005QP	47
800005WP	47

N/A items do not appear in index.

Single Overlay 38717	17
Snap Bushing M402542	11, 15, 23, 25, 49
503235	43
Speed Clip 28835	59
Spring F8504601	43
Standpipe Strap 33489	45
Strain Relief 38384	51, 83
502500	83
52113	83
52151	83
60298	83
Strain Relief Adapter 502496	83
Switch 512973	11, 59
Switch Mounting Bracket 800663	37
803388	37

T

Tension Rod Assembly 800666	39
Terminal 00252	87
Terminal Block Assembly 505876	15, 25, 69
510190P	69
801250	15
801756	25
Terminal Block Shield 510237	69
Terminal Block Support Bracket 505875	69
Terminal Extractor Tool 283P4	85
Thermal Fuse Assembly 511412	71, 73
Thermistor 803256	35
Thermistor Assembly 502366	65
510523	65
Thermostat 510703	65
Thermostat Opening Cover 61203	47
Top Hinge 510136	81
Top Kit 510032QP	81
510032WP	81
Torx Bit 282P4	93
Transformer 201375P	13, 19
210018P	13

N/A items do not appear in index.

803527P	13, 23
Transformer Kit 511658P	81
Trunnion Shaft and Hardware Kit 800749P	39
Tub Front Assembly 802258	33
802260	33
803494	33
Tub Front Seal 800432P	33, 39
Tub Shock Absorber Kit 800622P	37
Tubing 800648P	37
Tub-to-Drain Hose 800902	43
Tub-to-Pump Hose 800317	45

U

Upper Wire Harness Assembly 510408P	95, 97
--	--------

V

Valve Assembly 60443P	77
Valve Kit 685766P	29
801836P	29
Valve-to-Dispenser Inlet Hose 801464	29, 31
Venting Instruction Label 502791	91

W

Warning Label 500049	37, 89, 91
500314	37, 89, 91
512263	59
514226	59
800632	89
803522	91
804500	91
804582	91
Warning/Caution Label 500281	59
Washer M400014	89
M400017	43
M400080	41
M400081	37
M403958	39
02834	41
03815	51
20290	31
26509	17, 21
501307	81
504082	69

52549	41, 61, 69
800457	33, 39
800464	39
802254	31
802293	27, 29
803615	31
Water Hose	
F200116	31
Window Clip	
513958	55
Window Trim	
503981Q	57
503981W	57
512633	57
513959	57
513960Q	57
513960W	57
Wire Assembly	
510527	73
510528	73
Wire Clamp	
800811	37
Wire Clamp Ring	
802283	27
Wire Clip	
504034	51
687500	27, 29, 51
Wire Configuration Assembly	
512273P	99, 101, 103
512275P	99, 101, 103
Wire Guard	
201595P	17
Wire Harness	
510496P	95, 97
Wire Harness Assembly	
510409P	95, 97
510434P	95, 97
510621P	69
510622	69
511303	81
511314P	95, 97
511317	97
511318P	95, 97
511321P	97
511336P	97
511338P	97
511347	97
511753	95
511757	95
512285	99
512415	99
512422P	99, 101, 103
512434P	99
512643P	99
512644	99, 101
801420	49
801421	49
802013	49
Wire Tie	
38663	51
Wire, 12 Gauge	
45380	95, 97, 99, 101, 103, 105, 107
Wire, 18 Gauge	
45001	95, 97, 99, 101, 103, 105, 107
Wrench	
392P4	93

N/A items do not appear in index.

Notes

Ruled lines for taking notes.